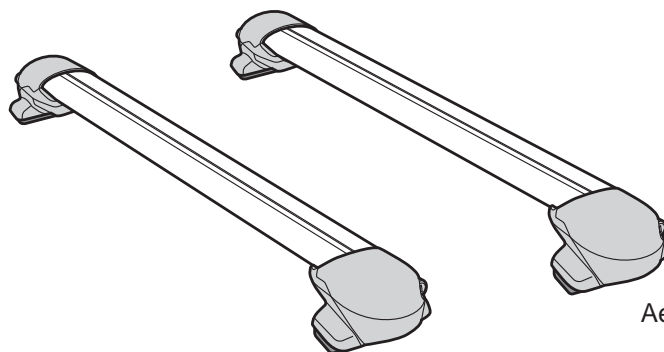




# XS201

## Installation Instructions

### XS201

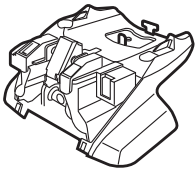


Aero Base Bar (Sold separately)

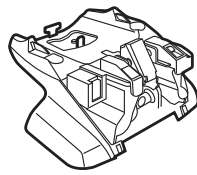
- Read the INNO common instruction manual (the accompanying sheet) as well.
- Keep this instruction manual in a safe place.
- Maximum load capacity: 75kg/165lbs. However, it varies depending on the car model.
- The maximum load capacity is 5 bicycles. However, it varies depending on the car model. (Drive the car at 50 mph/80km/h or less when 5 bicycles are loaded.)
- Drive the car at 50 mph/80km/h or less when the attachment is installed outside the stay.
- Stay may shift depending on driving conditions such as rough roads. Should the stay shift, loosen the mounting hook, return the hook to the original installation position as stated in the mounting hook installation instructions and remount.

## Product contents

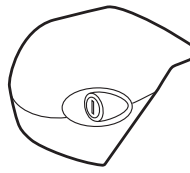
① x2(L)



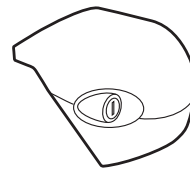
② x2(R)



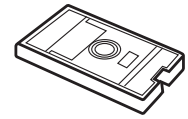
③ x2(L)



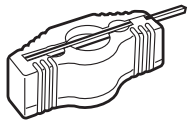
④ x2(R)



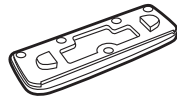
⑤ x4



⑥ x1



⑦ x4



⑧ x4



⑨ x1



⑩ x4



⑪ x4



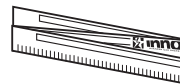
⑫ x4



⑬ x1



⑭ x1



⑮ x1



⑯ x2



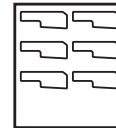
⑰ x1



⑱ x1



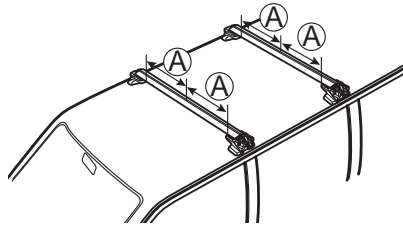
⑲ x1



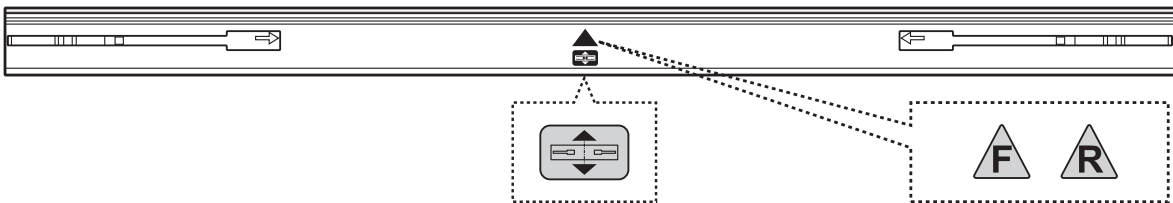
No.	EN : Parts	
①	Stay L	
②	Stay R	
③	Cover L	
④	Cover R	
⑤	Inner plate	
⑥	Torque knob	
⑦	Base	Mounting Hooks (Sold separately)
⑧	Hook	
⑨	Mounting hook Installation Instructions	
⑩	Flange washer	
⑪	Nylon washer	
⑫	Bolt	
⑬	Wrench	
⑭	Measuring Tape	
⑮	Bar sticker	
⑯	Key	
⑰	INNO Common Installation Instructions	
⑱	XS201 Installation instructions	
⑲	Specification sticker	

Mounting hook installation instructions (included with mounting hook) are also required.

There are two aero base bars, one for front and another for rear.  
Reference the mounting hook installation instructions to find the length of Ⓐ to determine the front and rear bar.  
Bar sizes may be the same for the front and rear depending on the car model.



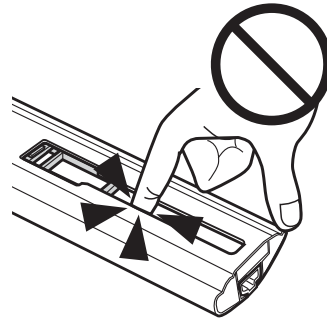
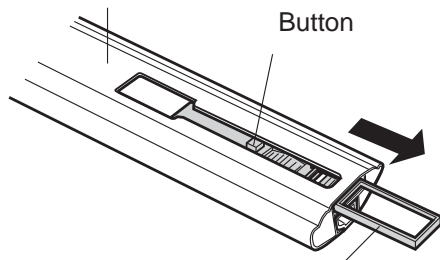
- 1 Affix the ▲ bar sticker (▲<sub>F</sub> for front, ▲<sub>R</sub> for rear) on the bottom face of the aero base bars (bars sold separately).



Center mark sticker

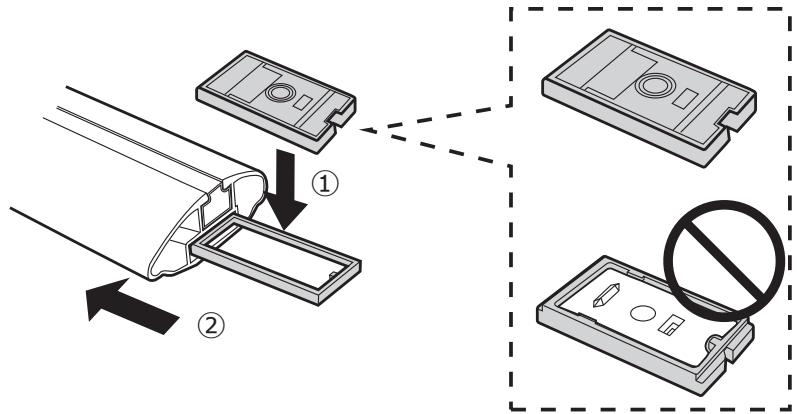
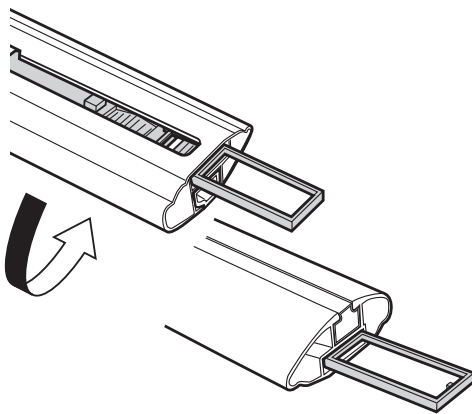
**2** Push the slider out of the bar.

Aero base bar

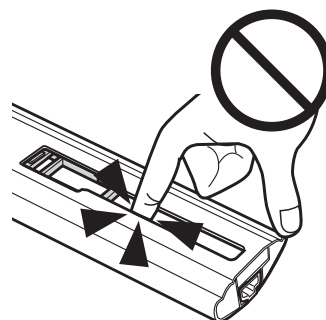
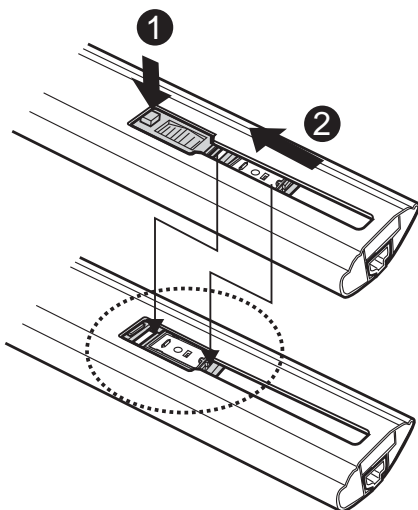


Do not insert your fingertip into the slit.

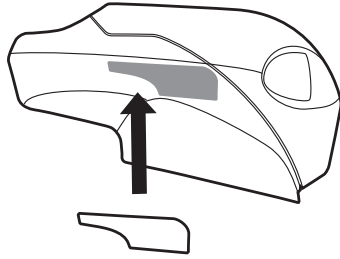
**3** Turn the bar upside down, ① insert inner plate, and ② push slider back into the bar.



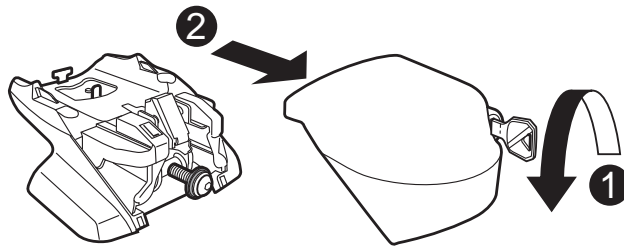
**4** ① While pressing button, ② push slider further inside.



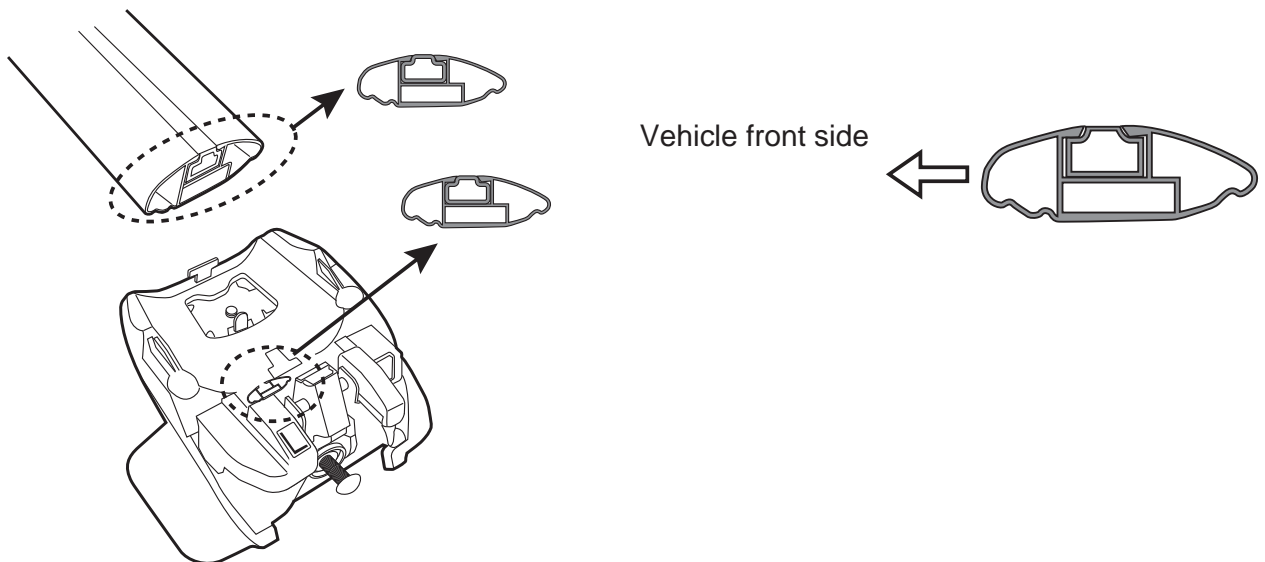
**5** Affix the specification sticker in the relevant language on the stay. (on one of any stay)



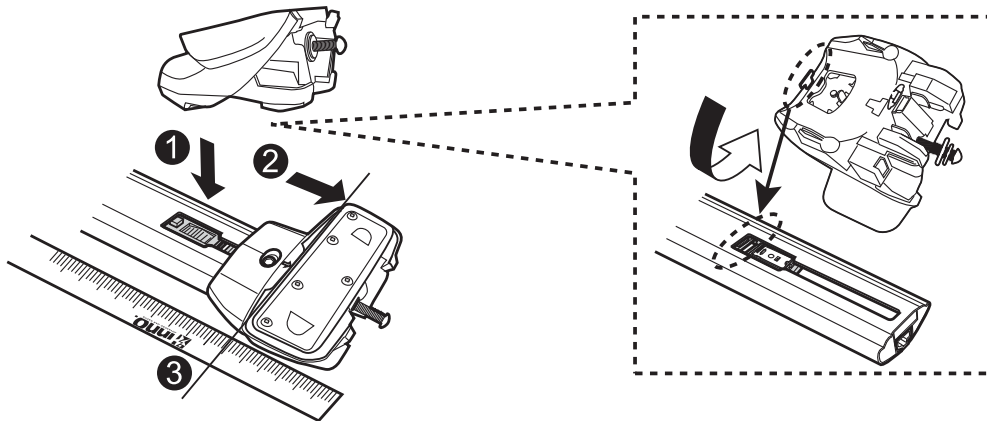
**6** Unlock and remove the cover.



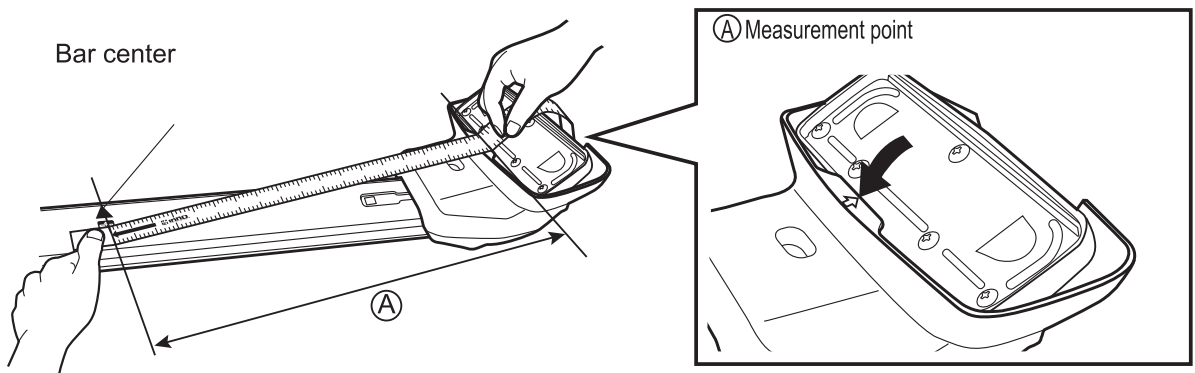
**7** Match the bar direction with the stay L / R.



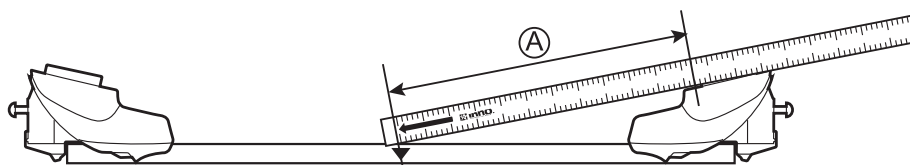
① Insert stay into the slider. ② slide the bar outward. ③ align the stay position.



In order to evenly position and center the bar between the stays, align the measuring tape and the bar, then set the stay position in accordance with dimension  $\textcircled{A}$  as described in the mounting hook installation instructions.

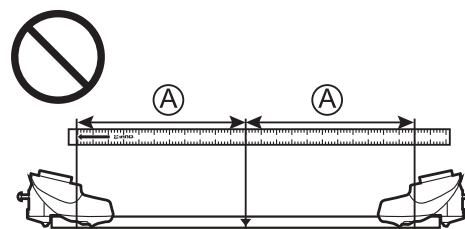
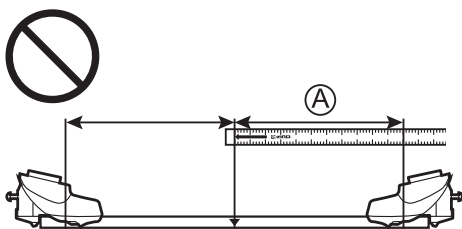


When measuring the stay interior dimension  $\textcircled{A}$  apply the tape measure to the bar center and extend the tape slantwise to measurement point.



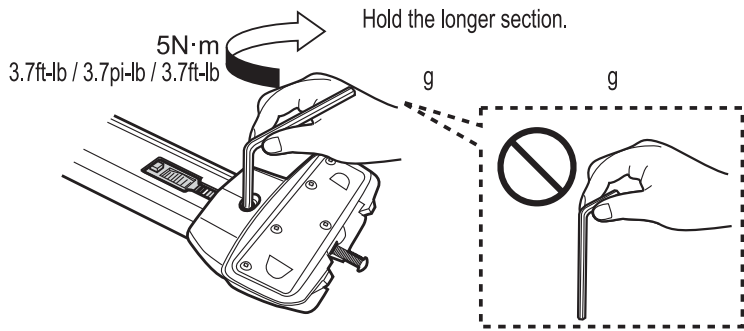
**Warning**

Never measure as shown in the figures as it may result in the stay to fall off.



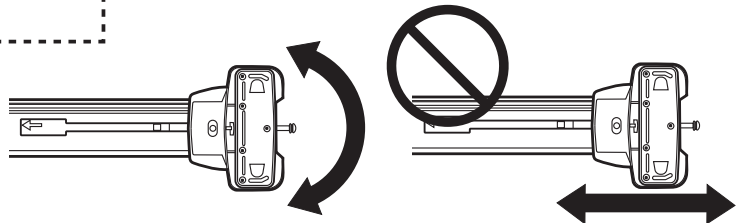
9

Securely tighten the stay bolt using the wrench included in the package



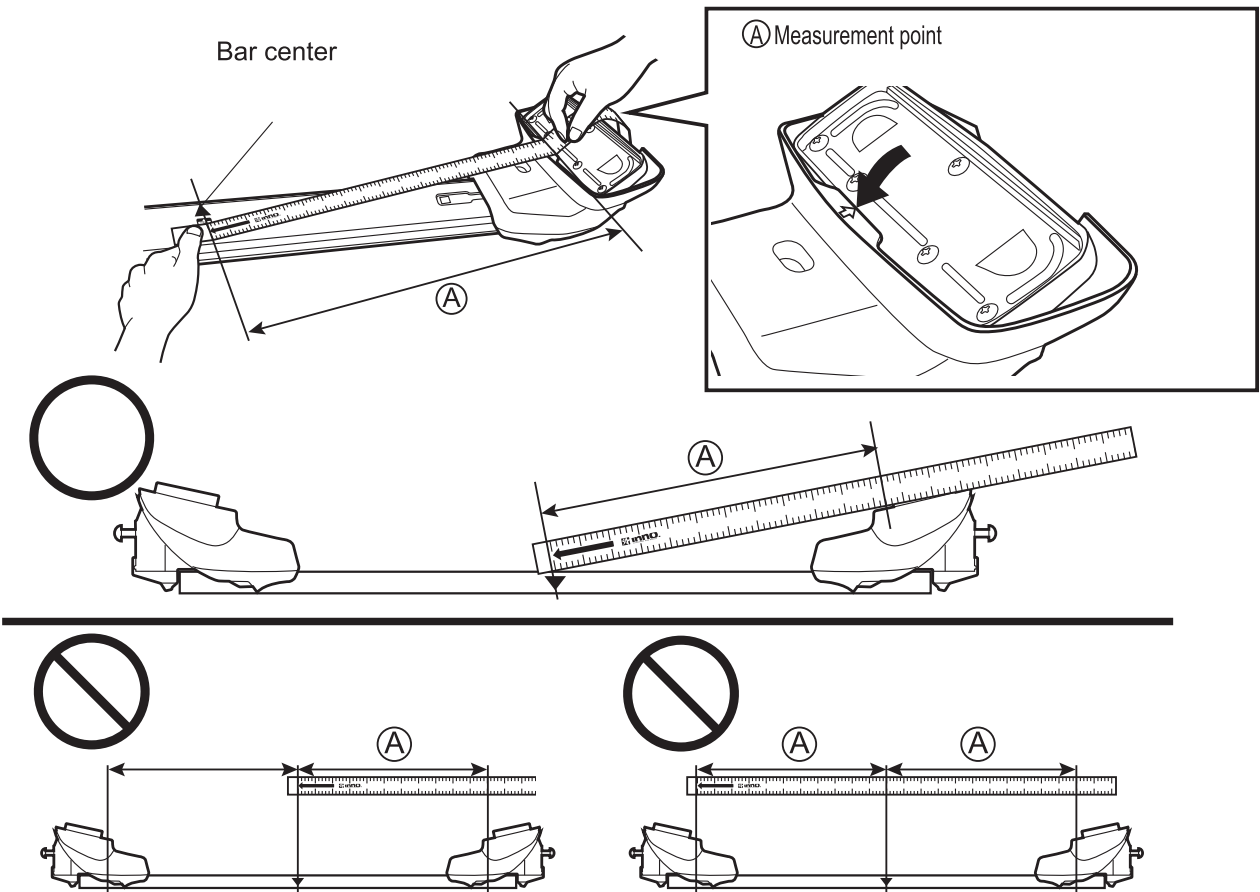
**Warning** This is an important bolt for safety. Hold the longer section of the Hex wrench, and firmly tighten the bolt to prevent looseness

This bolt is for securing the stay to the bar. There is no problem when the aero base stay rotates back and forth around the bolt.



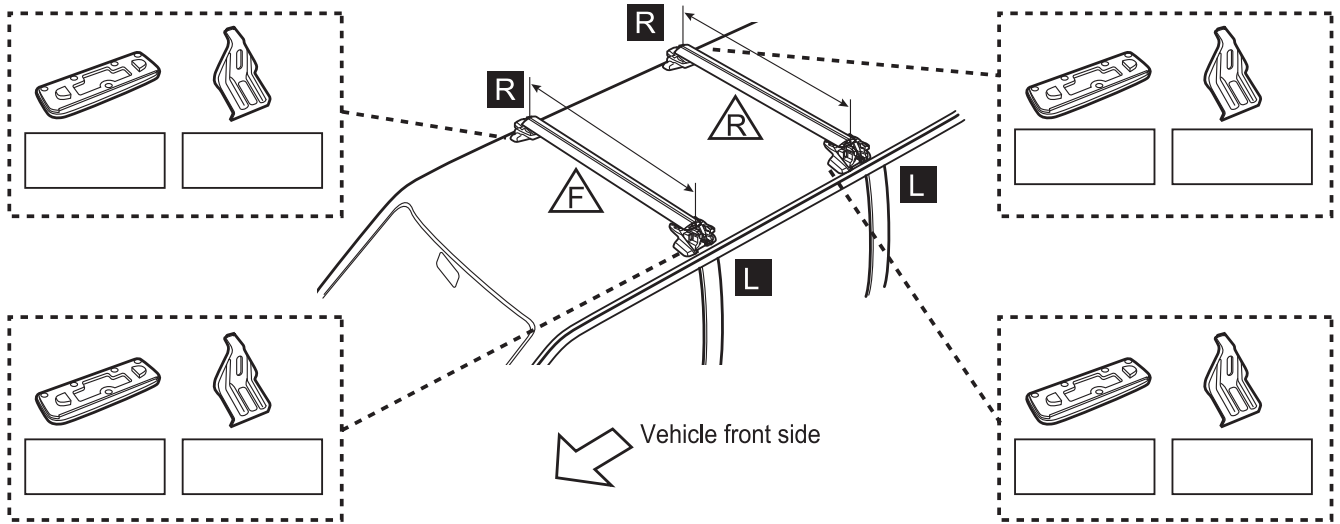
10

Use a measuring tape to reconfirm that the stay position is aligned with dimension (A) as described in the mounting hook installation instructions. If the stay position is not in accordance, redo from Procedure 8.



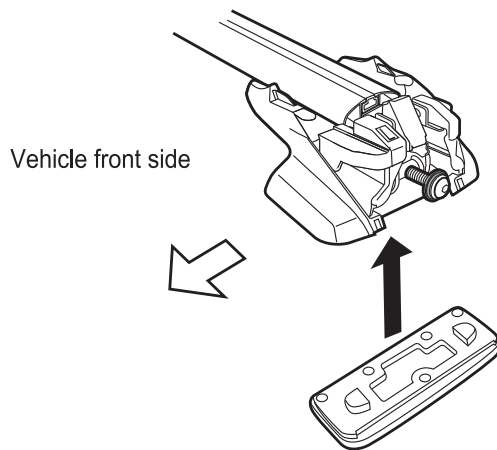
11

Write down the part numbers of the hooks and bases (found in the SU mounting hook installation instructions) in the spaces provided below.



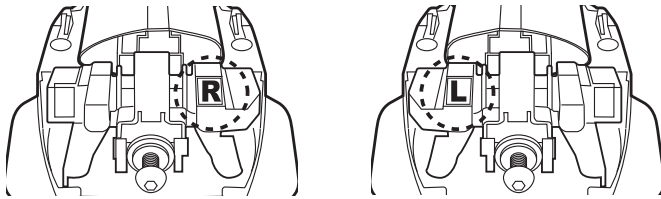
12

Mount the base to the stay in accordance with the combination written in Procedure 11.





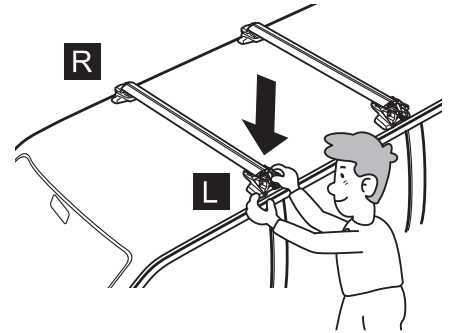
**13** Place the carrier on the vehicle in accordance with the combination written in Procedure **11**. Follow the mounting hook installation instructions for mounting dimension, hook mounting position, and base mounting position.



Vehicle front side

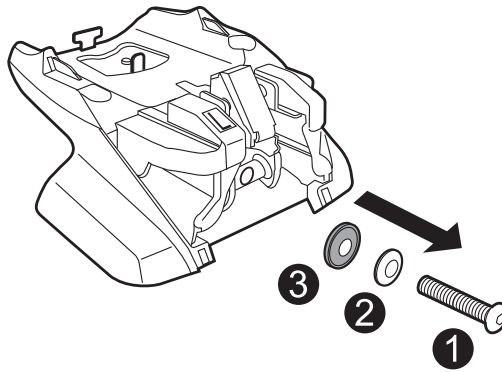


Check the bar direction, and place the aero base stay on the vehicle.

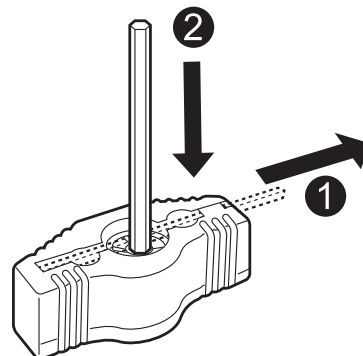


Vehicle front side

**14** Remove ① bolt, ② nylon washer (white), and ③ flange washer (black).

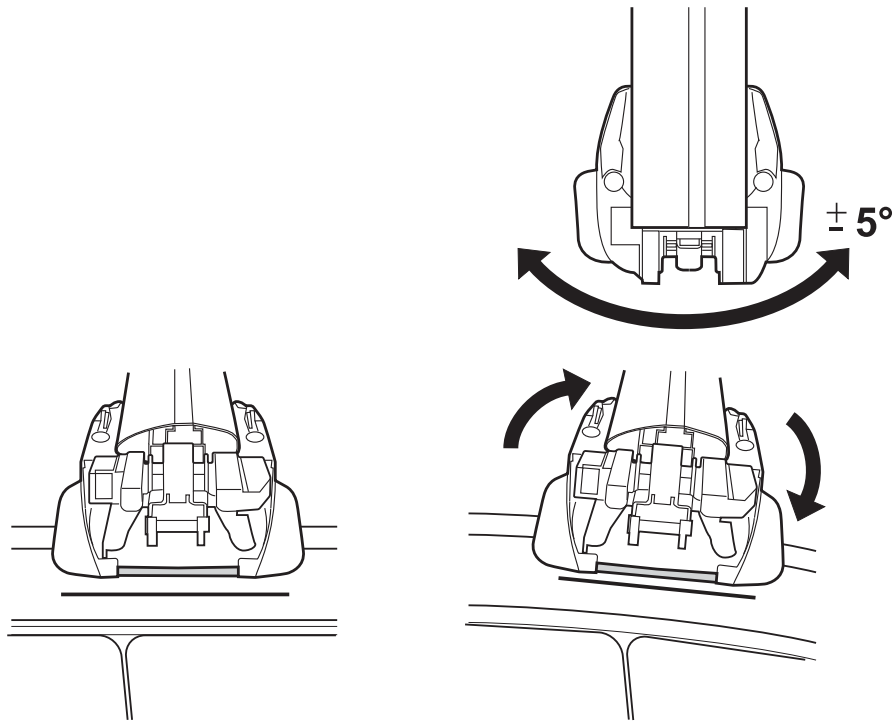


**15** Assemble the included torque knob.



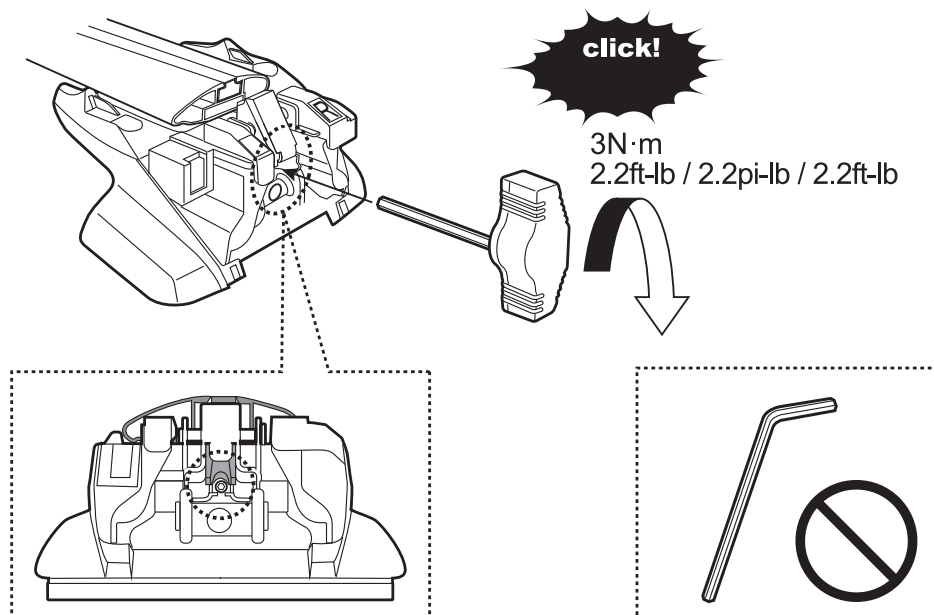
16

As the stay swings against the bar by  $\pm 5^\circ$ , adjust it in accordance with the vehicle.

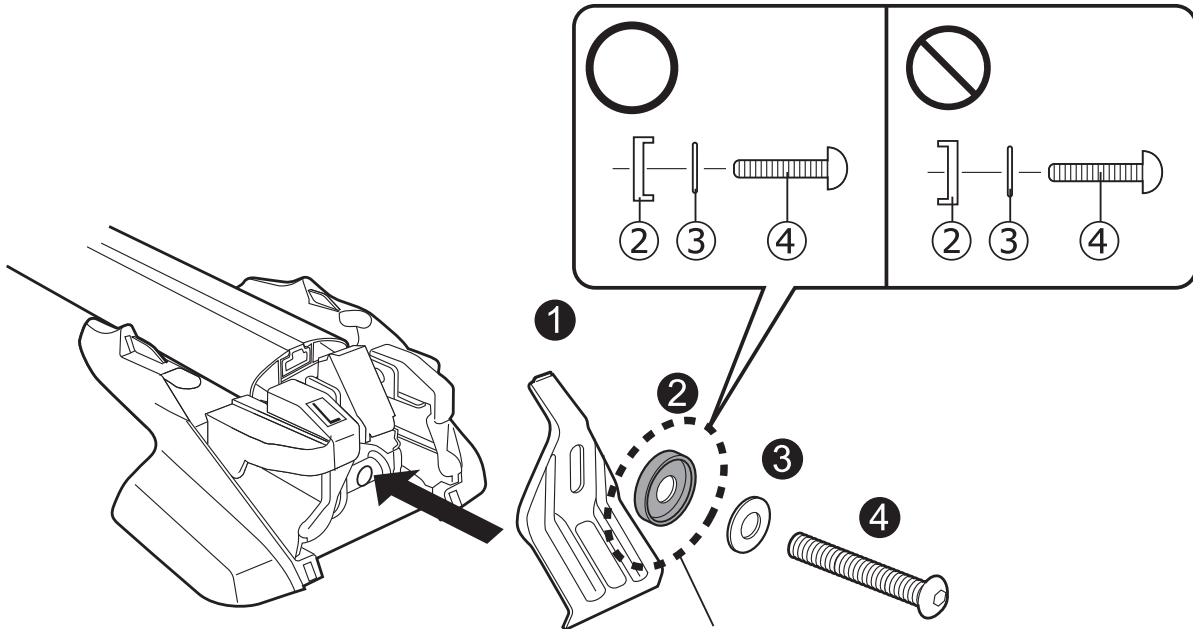


17

To lock the stay angle position adjusted in Procedure 16, tighten the bolt behind the red guide until the included torque knob rotates freely. This bolt will not come out even when loosened.

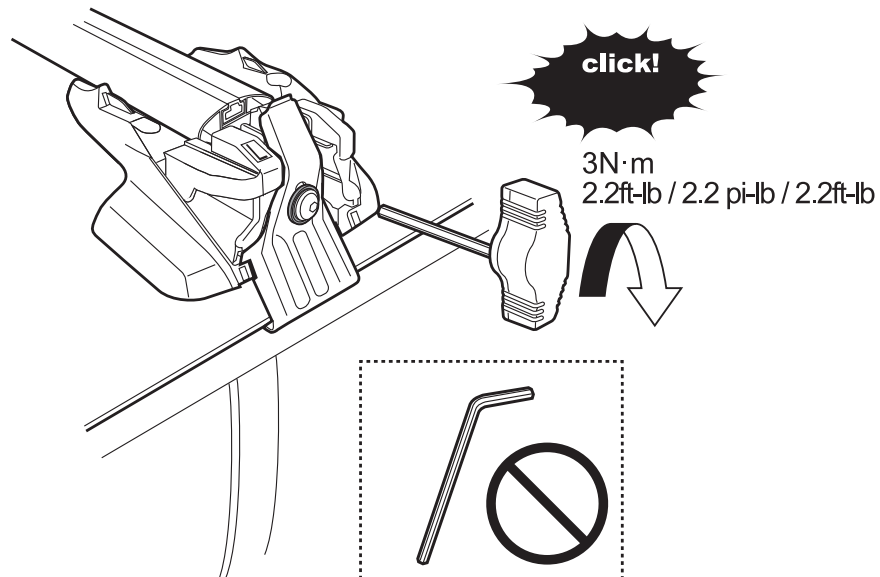


**18** In accordance with the base and hook combination written in Procedure **11**, loosely assemble ① hook, ② flange washer (black), ③ nylon washer (white), and ④ bolt in the order shown below. (about 2 rotations)



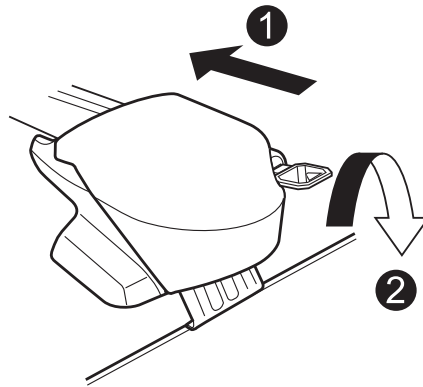
Confirm the direction.

**19** Evenly tighten bolts left and right alternatively until the included torque knob rotates freely. For mounting conditions, follow the mounting hook installation instructions.



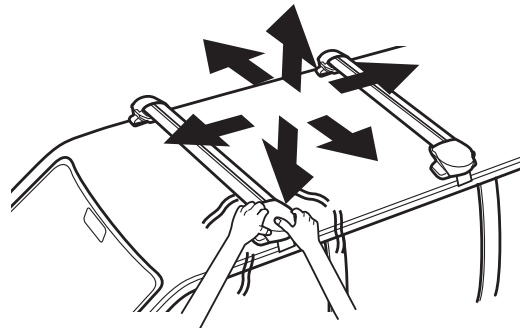
20

Check L and R, ① place the cover and ② lock.



21

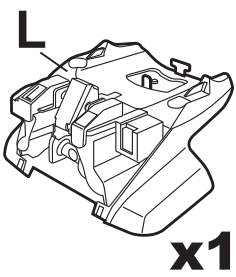
Shake the carrier to the front, rear, left, and right. If loose, tighten the bolt until the included torque knob rotates freely. 3N • m (2.2ft-lb)



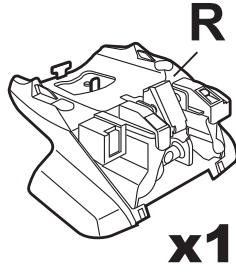
**Make sure all parts are tightened before driving.**

# Repair parts

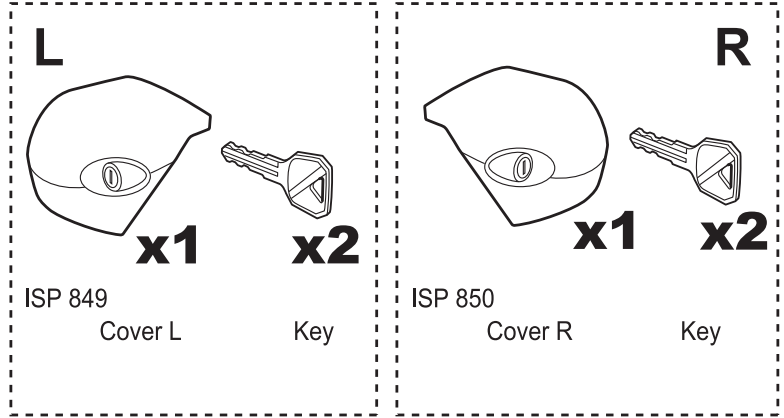
Please specify part name when ordering repair parts



ISP 875  
Stay L



ISP 876  
Stay R



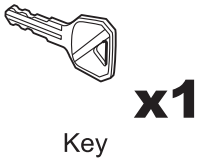
ISP 849  
Cover L

Key

ISP 850  
Cover R

Key

(Key number is not changeable)



Key



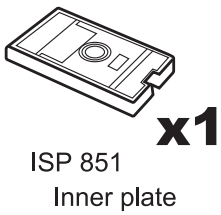
XS201 Installation Instructions



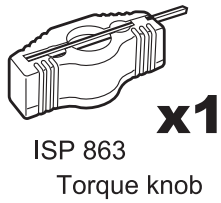
ISP 864  
Hex Wrench



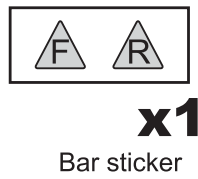
ISP 888  
Measuring Tape



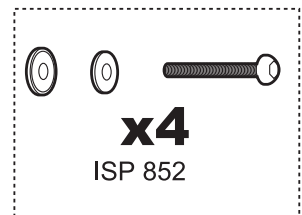
ISP 851  
Inner plate



ISP 863  
Torque knob



Bar sticker



ISP 852