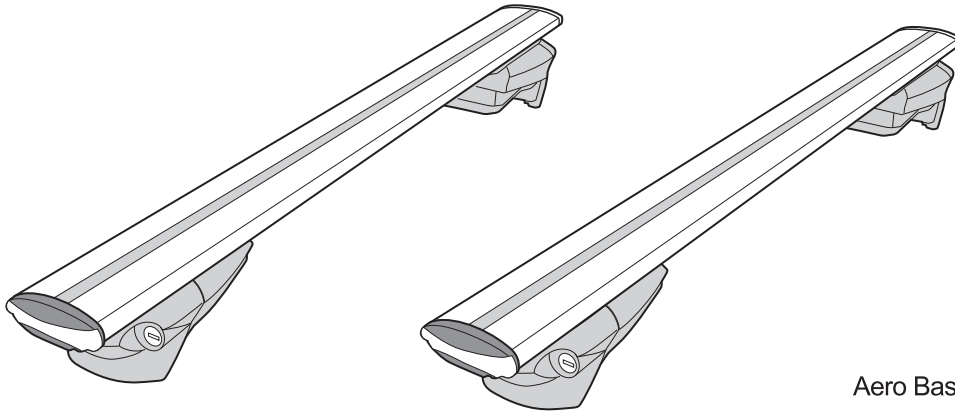


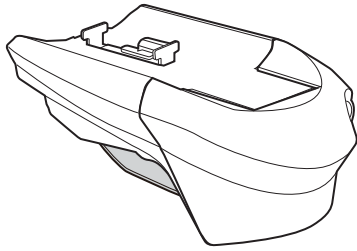
XS150

Aero Base Bar (Sold separately)

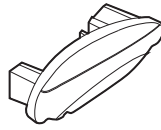
- Read the INNO common instruction manual (the accompanying sheet) as well.
- Keep this instruction manual in a safe place.
- Maximum load capacity: 75kg/165lbs. However, it varies depending on the car model.
- The maximum load capacity is 5 bicycles. However, it varies depending on the car model.
(Drive the car at 50 mph/80km/h or less when 5 bicycles are loaded.)
- Drive the car at 50 mph/80km/h or less when the attachment is installed outside the stay.

Product contents

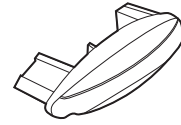
① **x4**



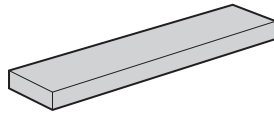
② **x2**



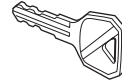
③ **x2**



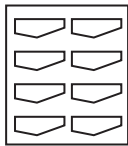
④ **x4**



⑤ **x2**



⑥ **x1**



⑦ **x1**



⑧ **x1**



No.	Parts
①	Aero Base Stay
②	End Garnish L
③	End Garnish R
④	Inner Block
⑤	Key
⑥	Specification sticker
⑦	INNO Common Installation Instructions
⑧	XS150 Installation Instructions

Additional Tool Required

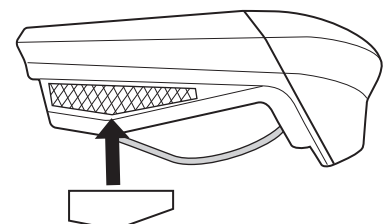


Scissors

j

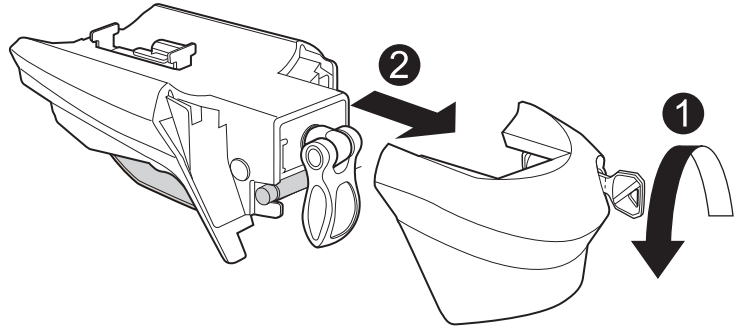
1

Affix the specification sticker in the relevant language on the stay.



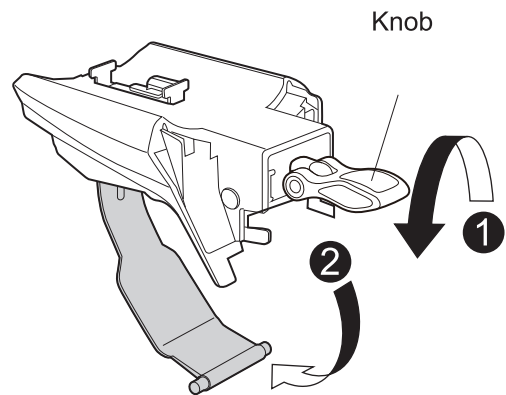
2

Unlock and remove the cover.



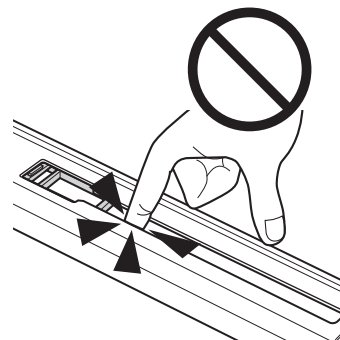
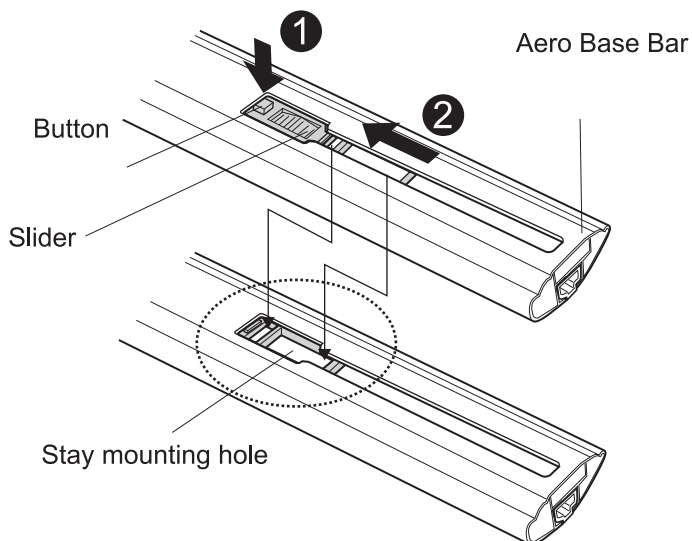
3

Loosen the knob and remove the strap.



4

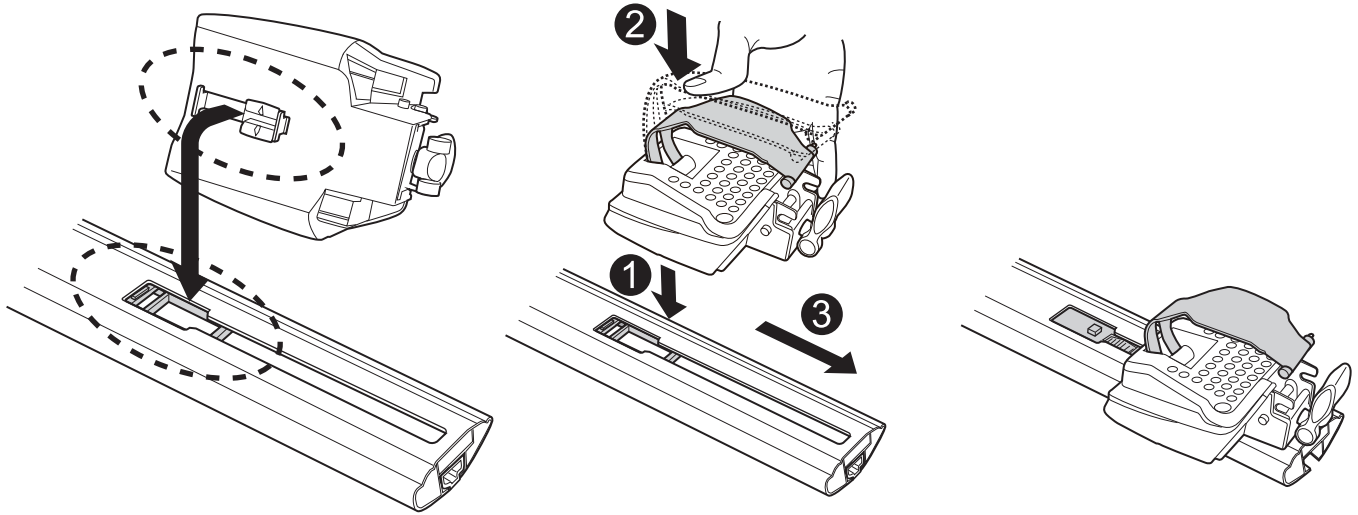
Press the button, slide the slider rail to reveal the mounting hole for the stay.



Do not insert your fingertip into the slit.

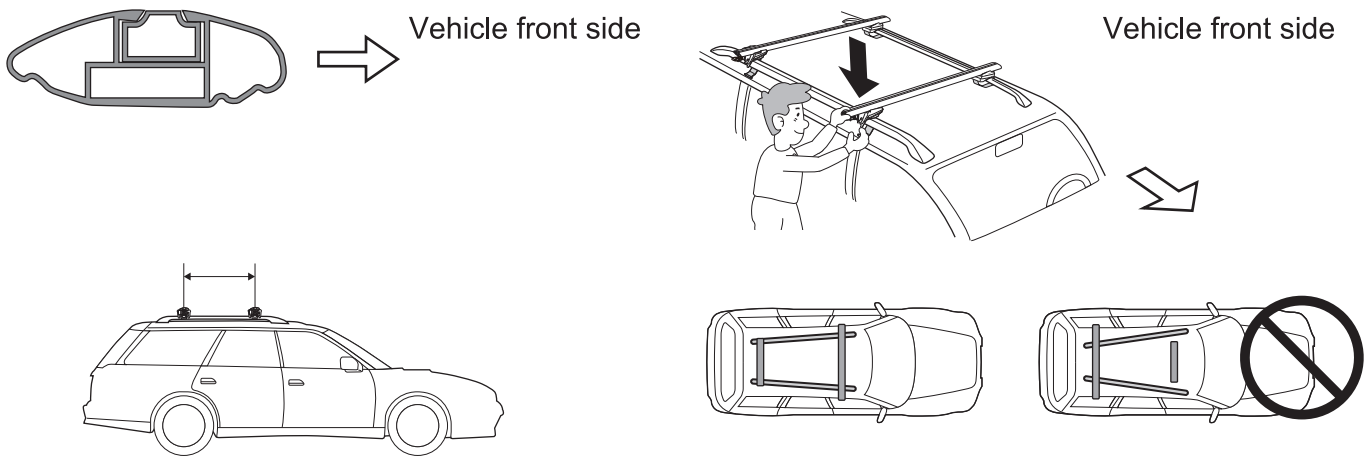
5

Insert the stay into the mounting hole and slide to the far end.
(Stay does not have a L or R.)



6

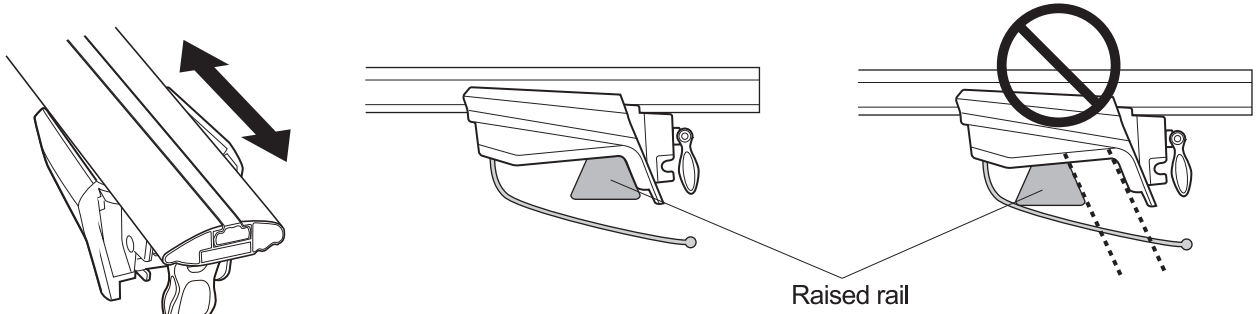
Confirm the bar direction and place the stay on the raised rail.



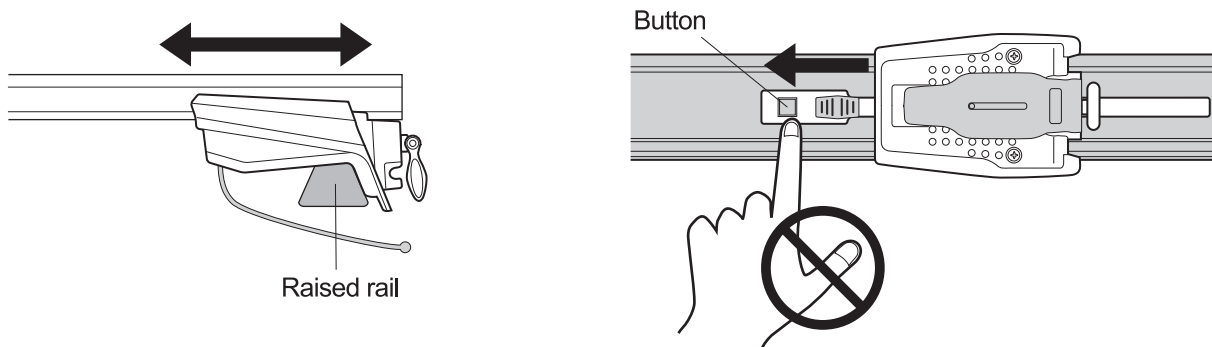
The recommended space between front and rear is 28 inch (Min.20 inch - Max.40 inch)

7

Adjust both left and right base positions, and adjust the position of the bar. Press the stay to the raised rail so that no gaps exist.

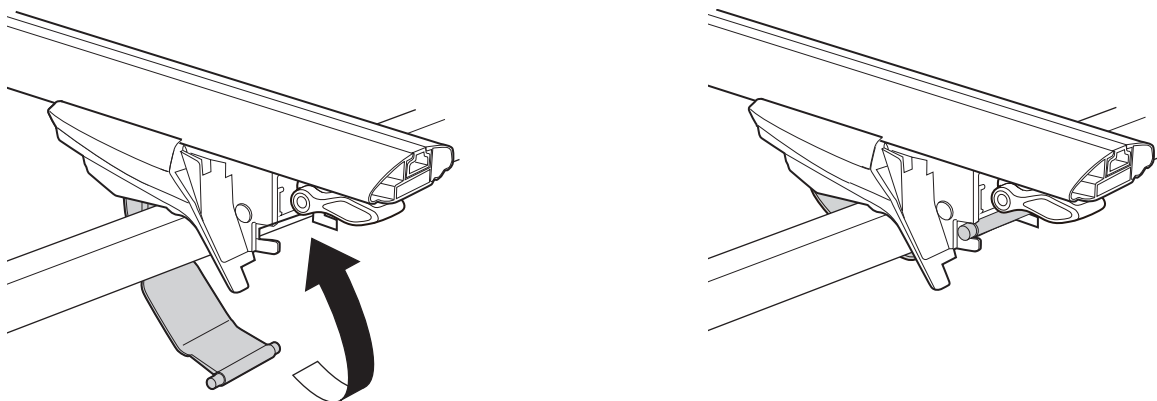


Adjust it in the movable range without pushing the button.



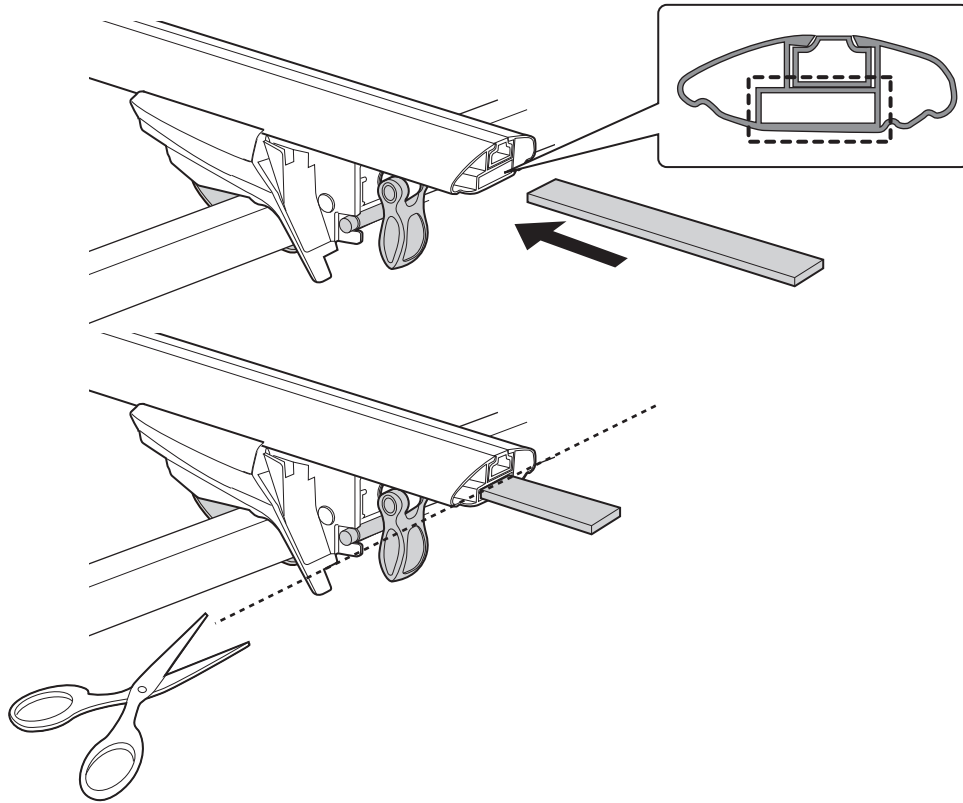
8

Hang the strap.



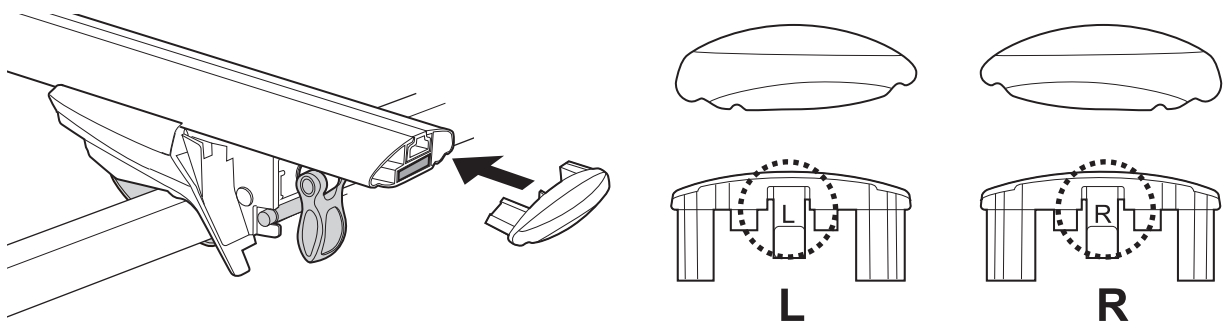
9

Insert the inner block into the inner bar end completely and cut the protruding portion.



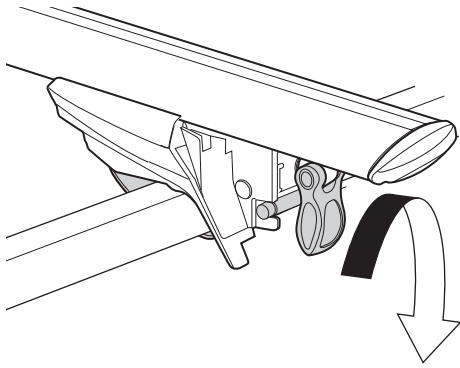
10

Attach the End Garnish to the bar.
(Confirm L and R of the end garnish before attaching.)



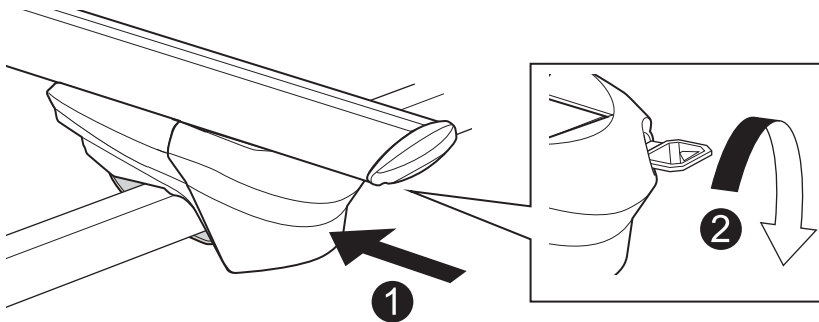
11

Tighten knob (3N·m/2.2ft-lb) and make it point downward.



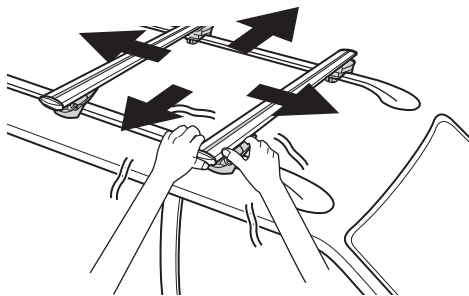
12

Place and lock cover. (The cover does not have a L or R.)
When the cover cannot be mounted, check the knob position. (11)



13

Shake the carrier in all directions to check for looseness. If loose, tighten using the knob.



Repair parts

Please specify part name when ordering repair parts.

