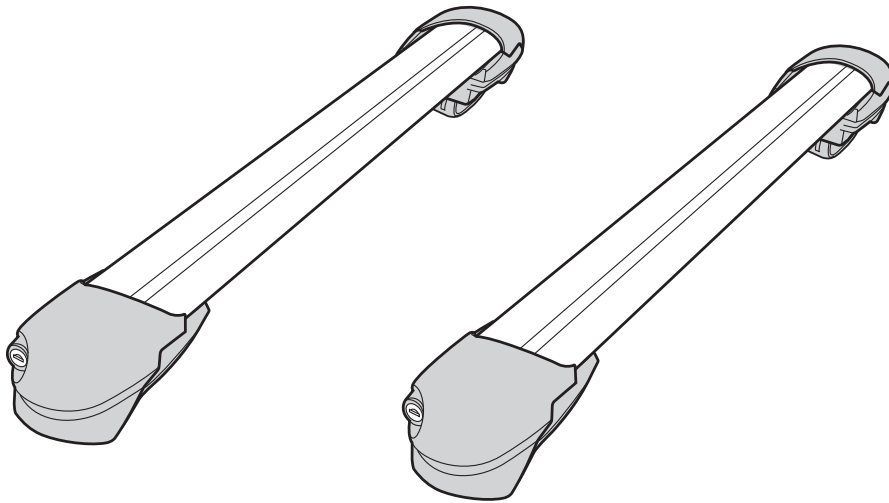
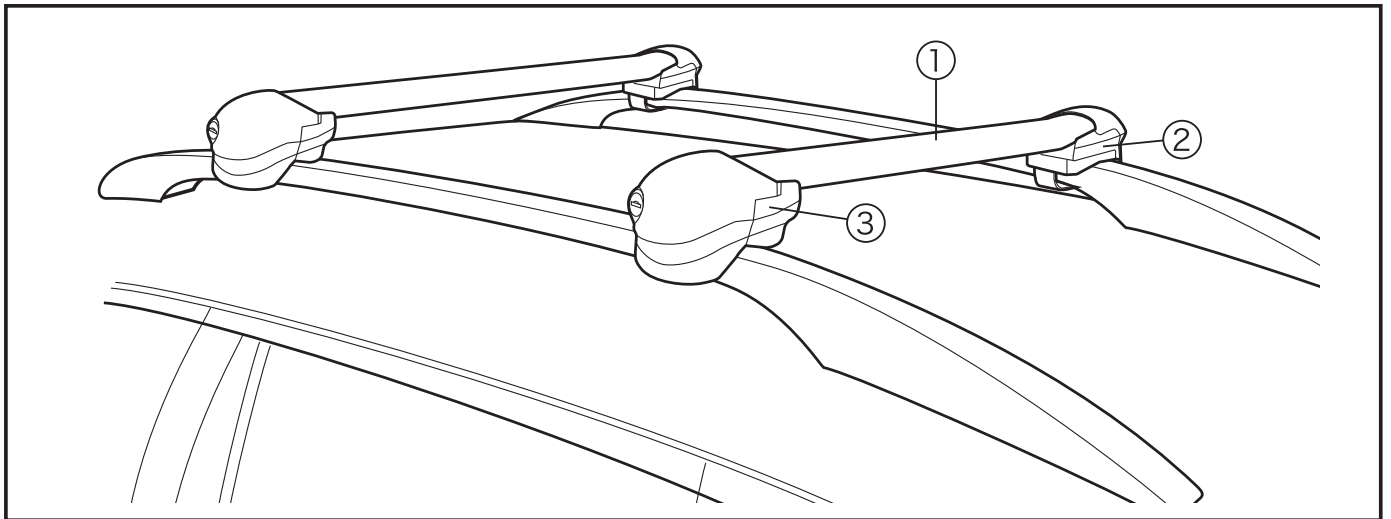


inno. XS100 Installation Instructions
ADVANCED CAR RACKS**XS100**

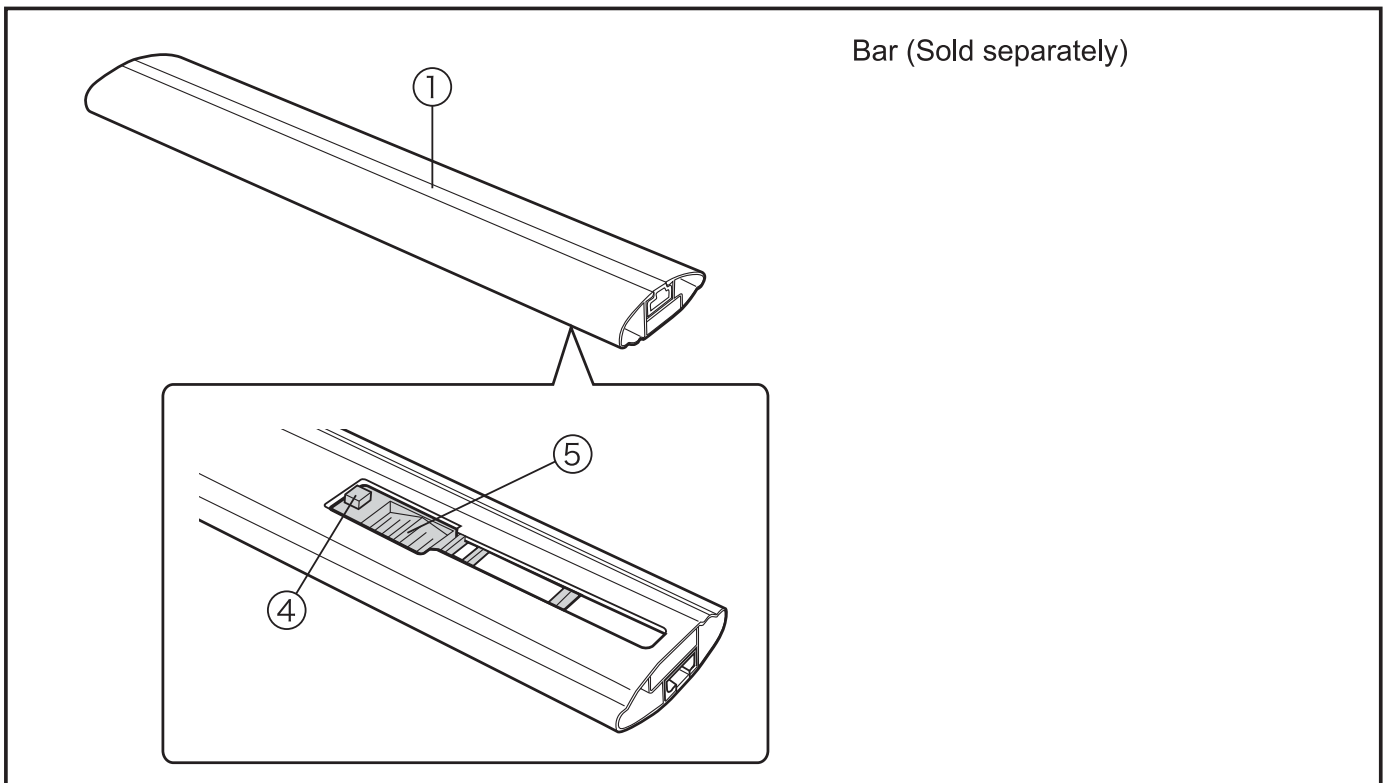
Read the INNO common installation instructions (the accompanying sheet) as well.

Keep this installation instructions in a safe place.

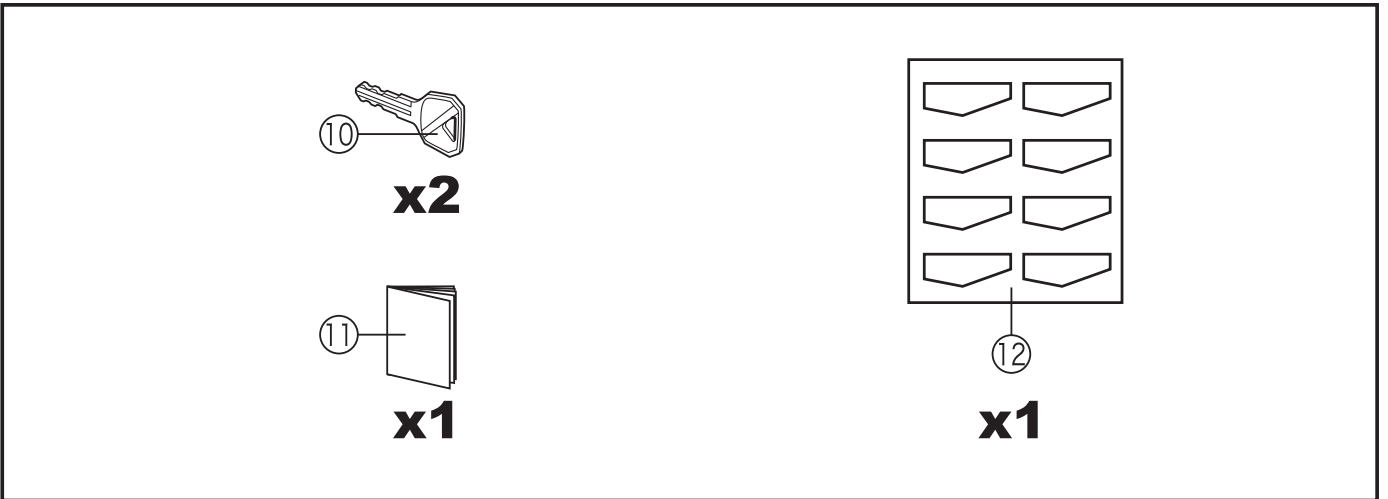
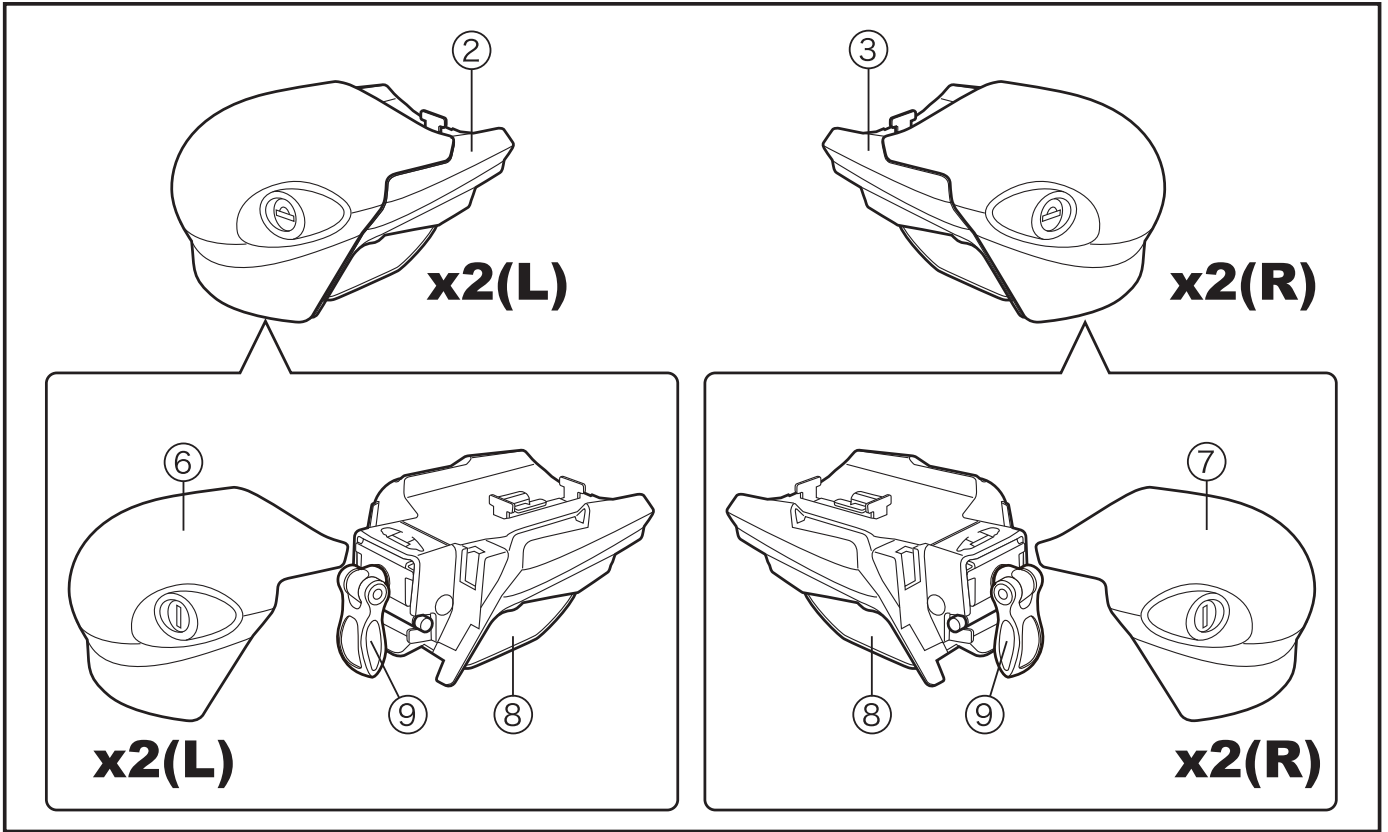
Maximum load capacity: 75kg/165lbs. However, it varies depending on the car model.



Bar (Sold separately)

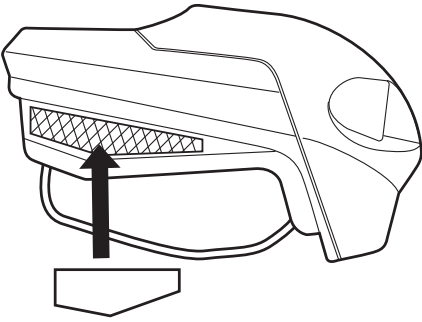


No.	EN
①	Bar (Sold separately)
②	Stay L
③	Stay R
④	Button
⑤	Slider
⑥	Cover L
⑦	Cover R
⑧	Strap
⑨	Knob
⑩	Key
⑪	Installation instructions
⑫	Specification sticker



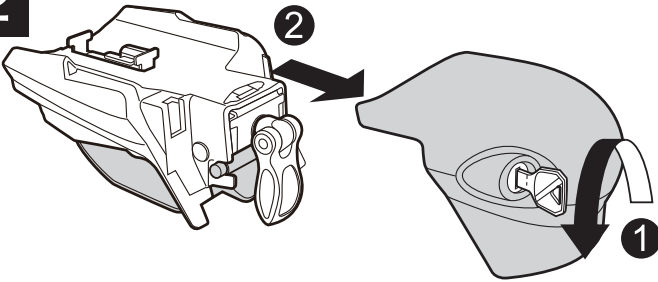
1

Affix the specification sticker in the relevant language on the stay.



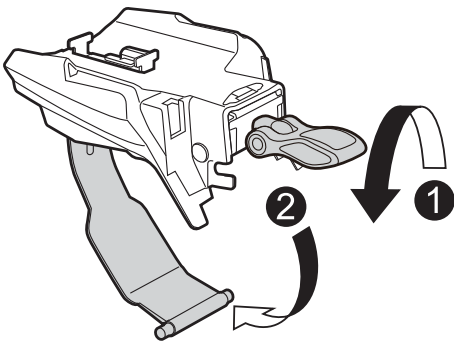
2

Unlock and remove the cover.



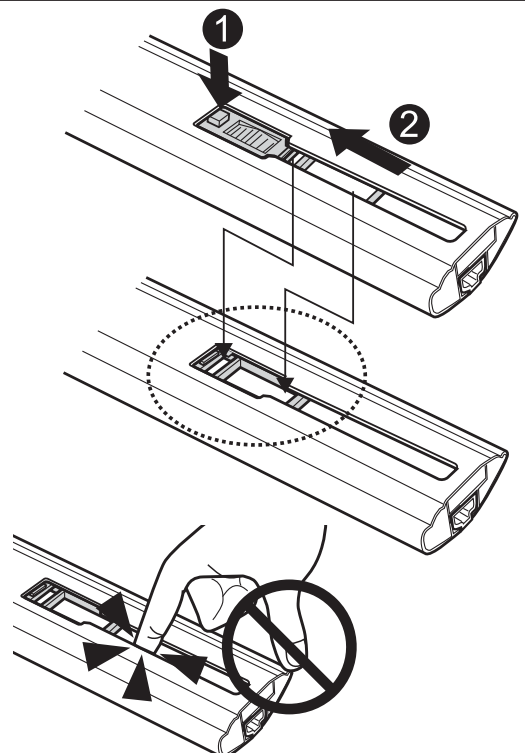
3

Loosen the knob and remove the strap.



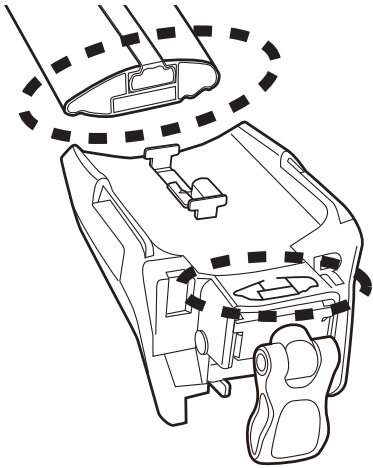
4

Press the button, slide the slider rail to reveal the mounting hole for the stay.

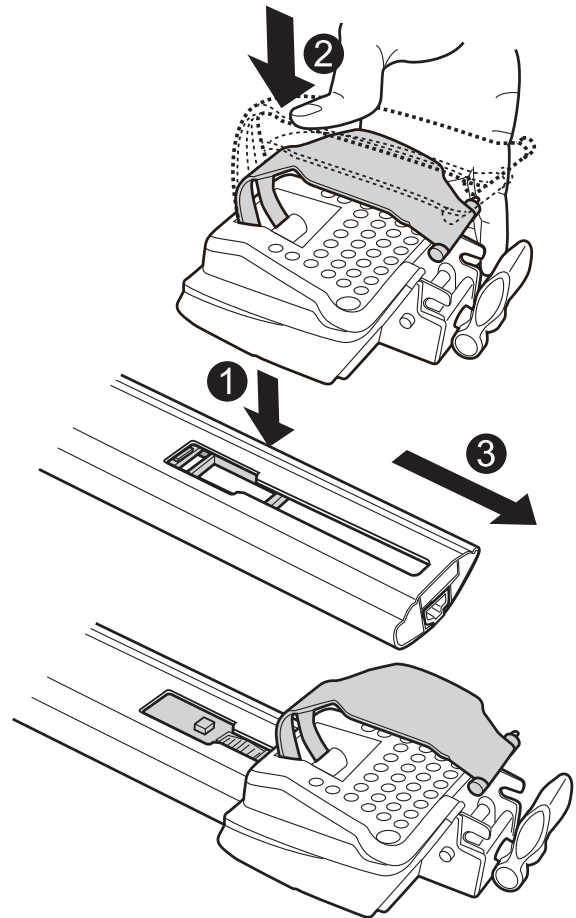
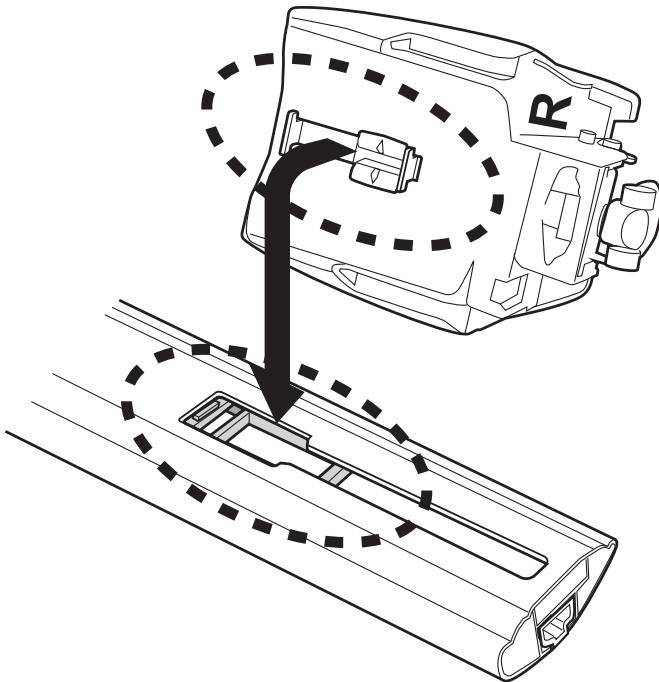


5

Check the direction of the bar.



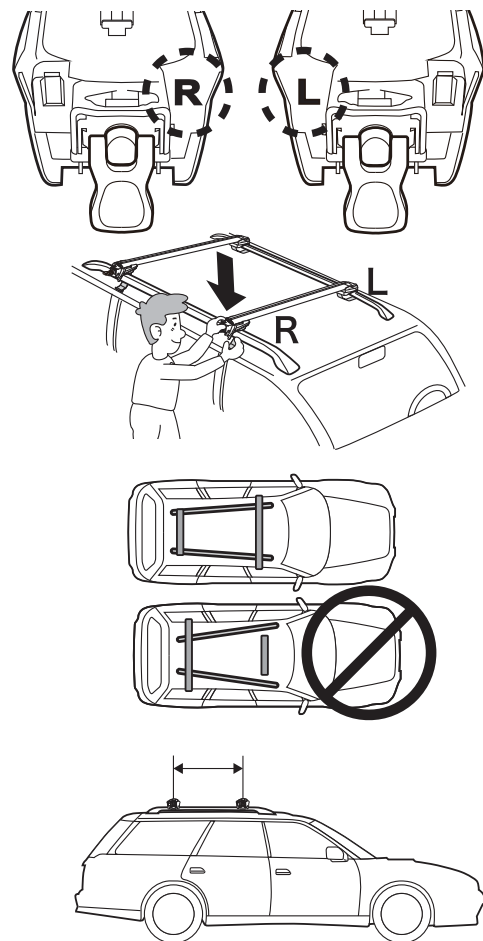
Insert the stay into the mounting hole and slide to the far end.



6

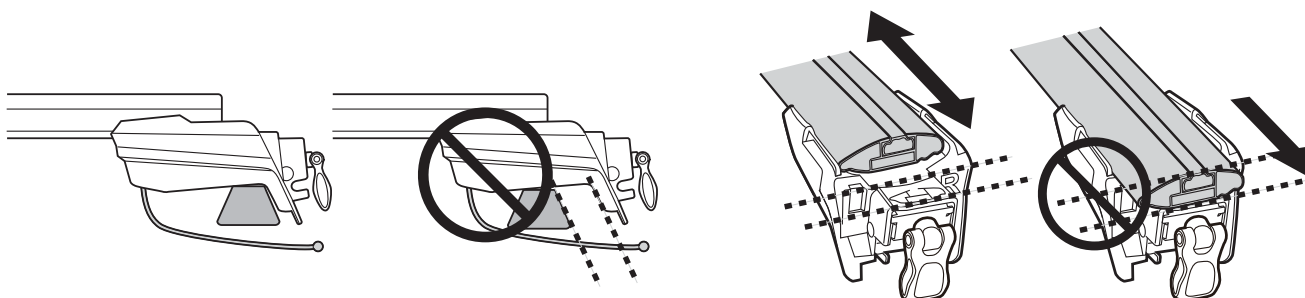
Check the LR and place the stay on the roof rail.

The recommended space between front and rear is 28 inch
(Min 20 inch - Max 40 inch)



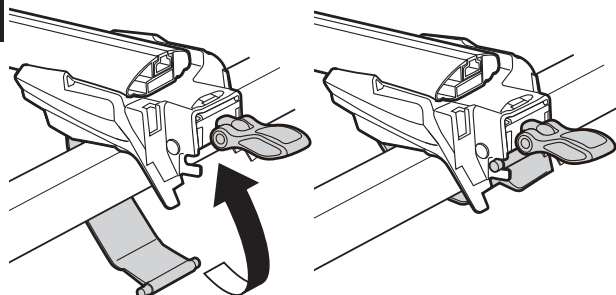
7

Adjust both the left and right base positions, and adjust the position of the bar.



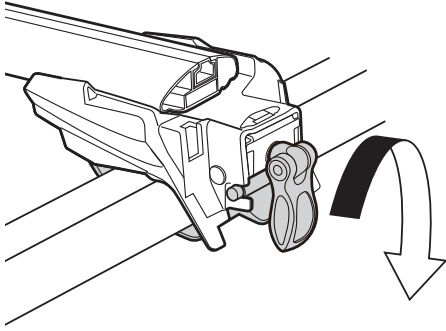
8

Hang the strap.

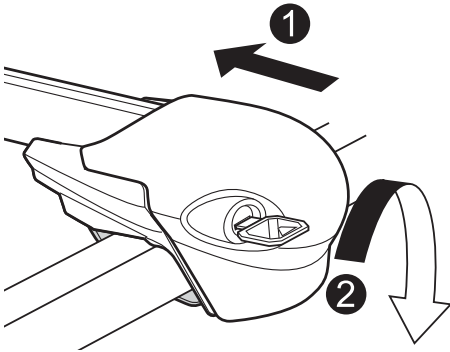


9

Tighten knob (3N•m) and make it point downward.



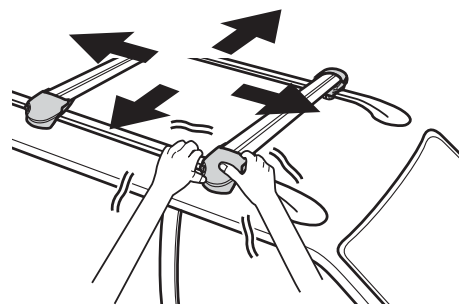
10



Place and lock cover. (If the cover doesn't fit, check steps 5, 7, and 9.)

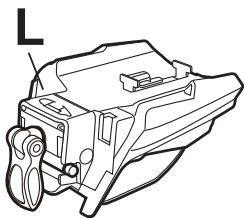
11

Shake the carrier in all directions to check for looseness. If loose, tighten using the knob.



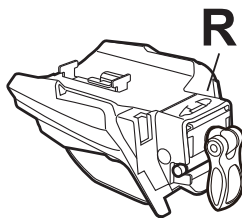
Repair parts

Please specify part name when ordering repair parts.



ISP 956

Stay L



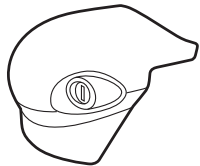
ISP 957

Stay R



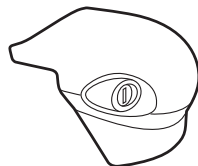
x2

Key



ISP 958

Cover L



ISP 959

Cover R



Installation instructions

We do not accept any liability for accidents, damage or injury caused by incorrect installation or use, modification, or natural disaster.



INNO Common Installation Instructions

EN

Before using this product, carefully read this installation instructions for proper use. Please read the product specific installation instructions for other products. Keep this installation instructions in a safe place. If you are to give this product to a third person, provide him/her with this manual as well to ensure safe use.

Please be sure to follow the following matters for safe usage of this product.

Warning

Failure to follow this warning can result in serious accidents including death or serious injury.

~ Common ~

- Installation location, load, and maximum load have been decided. Please check the product installation instructions for each product for details.
- Do not modify this product.
- Do not speed, make jack-rabbit starts or unnecessary sudden turns of the steering wheel, or slam on the brakes.
- If you made a sudden turn of the steering wheel or slammed on the brakes, be sure to check the load and that the carrier is firmly mounted.
- If you continuously drove the car at high speeds, drove at designated speeds due to inclement weather, or drove on rough roads, always confirm the load and carrier are secure.
- If this product includes a key, always use the lock.
- Obey the speed limit and operate the vehicle in a safe manner.
- Prior to driving, check for loose bolts, etc.

~ Base carrier ~

- Maximum load capacity varies according to car model. Be sure to check the chart that applies to your vehicle model.
- This product is dedicated to INNO. Do not use this with other manufactures' products.
- Always use an attachment to load.

~ Attachment ~

- As for the base carrier, confirm that it has sufficient strength and then mount securely.

Precautions

Failure to follow precautions can result in injury, damage to the product, vehicle, or load.

- Perform carrier installation in a spacious, bright, flat, and stable location.
- Do not operate the sunroof with the carrier mounted.
- Do not use a car wash with the carrier mounted on the car.
- Do not concentrate load only in one place.
- Be careful not to damage the vehicle when installing this product to or removing it from the vehicle.
- Do not apply oil or thinner (including paint) to this product.
- With the carrier installed, the car height is higher, so drive accordingly.
- Prior to installing the carrier, be sure that no dirt or dust is on the car.
- USE WATER ONLY, when washing the product.

Note

Things that you should know are described in this section.

- When an accessory hinders product installation, remove the accessory.
- Do not use defective parts such as deformed, cracked, or damaged parts, and immediately replace them with new ones.
- To avoid loss of parts, store parts in a safe place avoiding exposure to direct sunlight, high temperatures, or high humidity.