

# inno. RT101/102 Truck Stay Set Instruction Manual

Thank you for purchasing this INNO product.

- Please read through this manual thoroughly before use, and make sure that you follow all of the instructions carefully.
- After reading this instruction manual, store it in a safe place for future reference.

## Warning

Parts or loaded items falling from the rack can cause serious accidents, involving passers by or other cars, which may lead to serious injury or death.

- Before using this product, check the vehicle compatibility table to make sure it is compatible with your vehicle.
- Before using this product, check the type of objects that can be loaded and maximum load weights according to the type of vehicle.
- Before driving, make sure that the bolts are not loose.
- Do not attempt to modify the carrier system.
- Do not use crossbars and loading items that exceed the width of the vehicle.
- This product is not for off-road use

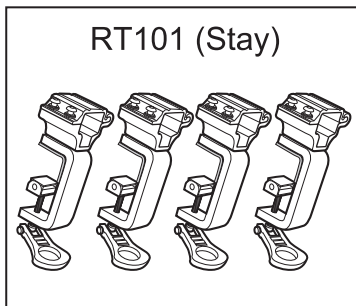
## Caution

There is risk of injury, or damage to the rack, vehicle, or loaded items.

- Install the front and rear crossbars with a distance between them more than 70 cm. (27.50 inch)
- Always drive safely.
- Do not use automatic car washes.
- Load evenly.
- Require a round bar adaptor when using INNO attachments on round crossbars.
- Remove the bed liner when it interrupts the installation of the carrier.
- Maximum load of this carrier is 110 lbs (50kg) or 2 bikes.

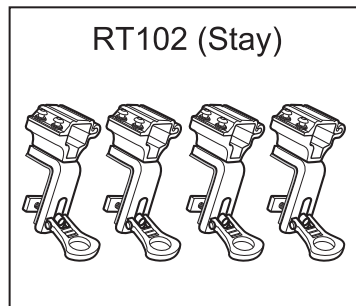
## Product Contents

① Main unit : 4



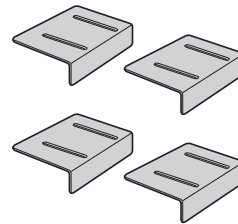
For standard

or



For C-channel

② Plate : 4



③ Hex wrench: 1



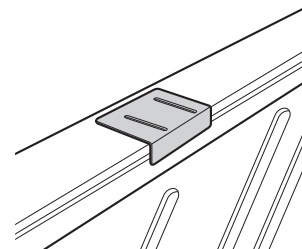
④ Instruction manual (this manual) : 1



## Installation Procedure

**1** Clean the side rails of the truck bed where product is to be installed.

**2** Place the plate on the mounting position.



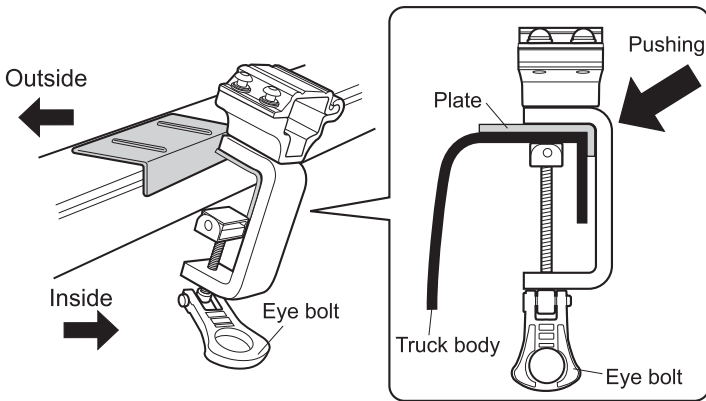
# Installation Procedure

## For standard truck / RT101

- Loosen the eye bolt 1/2 way to allow the clamp to slip over the truck bed rail.
- Determine the best position to install the clamp along the rail of the truck bed and place plates in order not to interrupt the loading items to cab and gate.

### ⚠ Caution

Install the front and rear bars with a distance between them more than 70 cm. (27.50 inch)



- After placing the clamps over the rail of the truck bed and over the plate, tighten the eye bolt while pushing the clamp against the side wall of the truck bed making sure eye bolts are firmly tightened. (fig.1)

- Untighten the hex bolts on the cap. (fig.2)

- Open the cap and place the crossbars on the top of the clamp evenly. Making sure the stays are parallel to each other. (fig.3)

### Note

The 8 grooves on the cross bar face upwards.

- Close the cap, tighten the hex bolts until the spring washer is flat and then turn hex bolt another 1/2 turn by the provided wrench. And attach the end cap that comes with the crossbar. (fig.4)

## For C-channel truck / RT102

- Loosen the eye bolt 1/2 way to allow the square plate to slide into the C-channel rail.
- Determine the best position to install the clamps and plates along the C-channel rail in order not to interrupt the loading of items to cab and gate. When the square plate doesn't slide due to interior mounting bolt inside the C-channel, the square plate needs to be removed from the eye bolt.

### ⚠ Caution

Install the front and rear bars with a distance between them more than 70 cm. (27.50 inch)

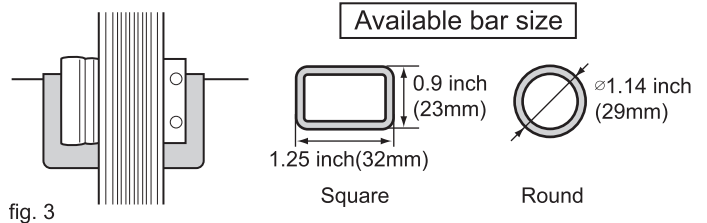
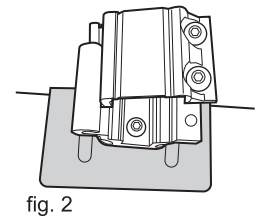
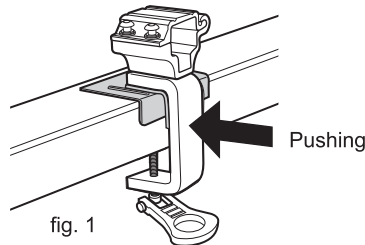
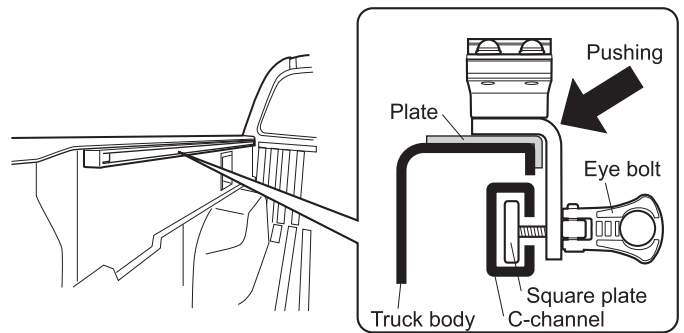


fig. 3

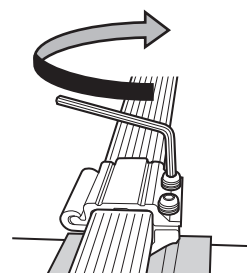


fig. 4

## Installation Procedure

- 9** When installing attachments begin 2 inches from the stay and not from the center of the cross bar to avoid bowing (fig. 5)

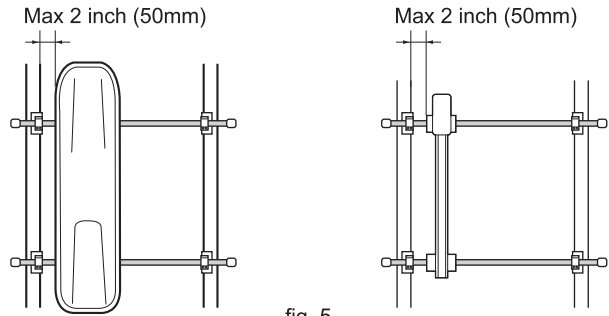
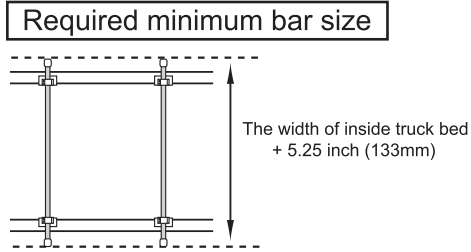


fig. 5

### ⚠ Caution

The space between the front and rear crossbars must be greater than 70 cm. (27.50 inch) Please make sure you follow instruction for installing attachment correctly.

- Load evenly.
- Do not use crossbars and loading items that exceed the width of the vehicle.
- Require the optional round bar adaptor for INNO attachments, when they are used on round crossbars.

### 📖 Note

The 8 grooves on the cross bar face upwards.

## Removal Procedure

- 1** Remove the end cap.
- 2** Remove the cross bar from the clamp.
- 3** Loosen the eye bolts, and remove the clamps from the rail of the truck.

## Checks before driving

### ⚠ Warning

Before driving, check front, rear, left and right stays and bars for looseness, and the eye bolt (4 locations) for looseness, if any of them are loose, re-tighten them.



## Daily Maintenance

- Wash off dirt and mud with water.
- Wipe off dirt with a damp wet towel.
- Allow it to dry in the shade.

### ⚠ Caution

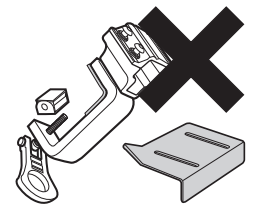
- Do not use solvents such as thinner etc.
- Do not lubricate screws or bolts.



## Checks before driving

### ● Part inspection

Clean the product, and inspect each of the parts for abnormalities. If you discover any deformed or damaged or damaged parts, discontinue use immediately and replace the parts.



### ● Storage

Store in a dry place indoors, out of direct sunlight.

