

Installation Instructions

Before using the Mounting hooks, carefully read this installation instruction as well as the installation instructions for basic carrier systems, and follow all usage instructions. After reading the manual, keep it in a safe place along with the installation instructions for basic carrier systems. If you are to give the mounting hooks to a third person, provide this manual to ensure safe installation and usage.

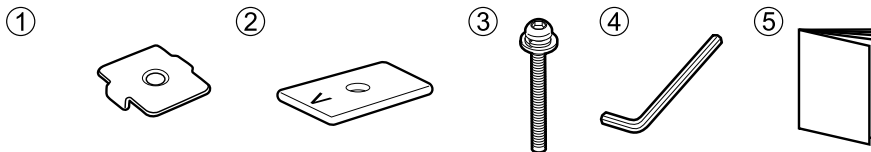
- Read instructions matching the model, year and type of vehicle.
- If appropriate instructions are not available, contact us listed below.

Precautions

- Install hooks correctly at specified positions according to the instructions herein and instructions for the applicable carrier system. Installation positions of hooks depend on the vehicle type. If hooks are not installed at specified positions, the carrier may fall and cause an accident.
- Do not use these hooks for attachments of non-specified types. The carrier may drop and cause accident.
- Observe the specified loading conditions. Failure to observe the loading condition may cause the carrier to break or loosen and drop, resulting in accident.

For INNO dedicated ski & snowboard carriers read carrier instruction manuals for determining proper mounting locations.

The TR Mounting hooks includes the parts listed below. Verify that all of these parts are included in the carrier system you have purchased. In the event any of these parts is missing, contact us as listed at the end of this manual.



| No. | Parts | Qty |
|-----|--------------------|-----|
| ① | Coated plates | 8 |
| ② | Plate (V) | 8 |
| ③ | Bolt [M6x35mm] | 8 |
| ④ | Allen key | 1 |
| ⑤ | Instruction manual | 1 |

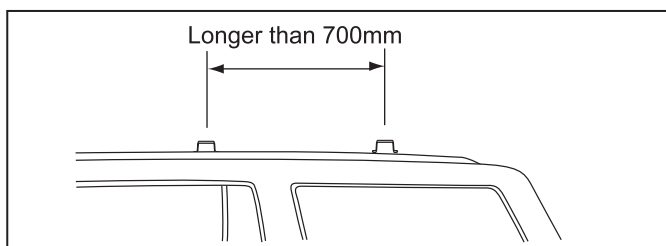
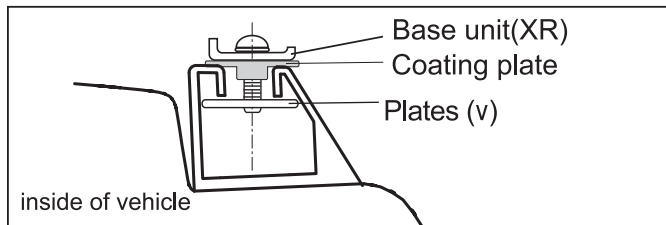
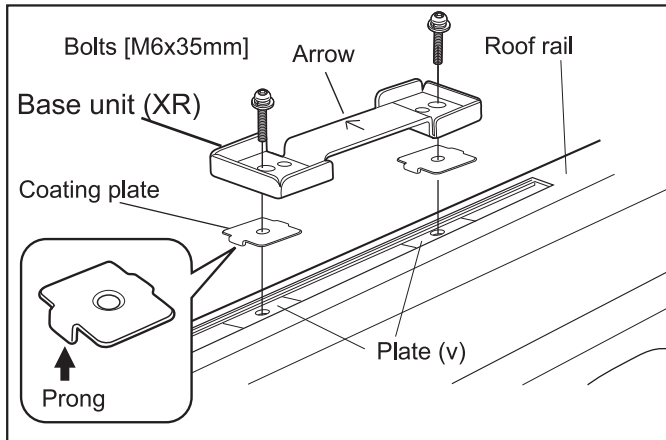
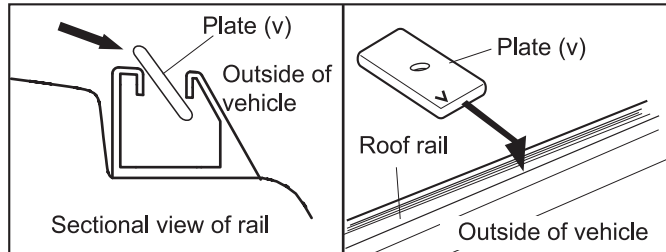
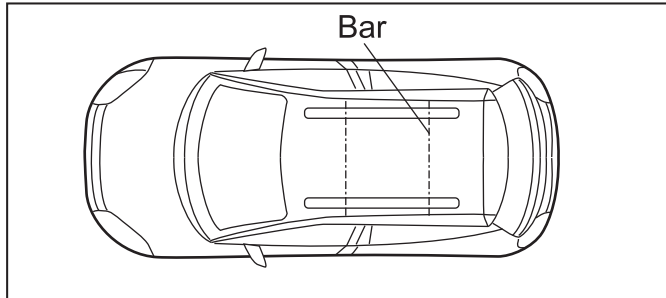
Note

Installation procedures are described for different models, years and types.
If your car doesn't match any of the vehicle types listed, refer to the instructions for the applicable carrier.

TR505 Installation Procedure for the individual Vehicle Model

| Manufacturer | Vehicle model | Vehicle type | Model year | Loading conditions | |
|--------------|---------------|--------------|------------|---|------|
| | | | | Maximum Load Capacity | Bike |
| JEEP | COMMANDER | | 2006- | 140 lbs (64 kg) (Load + Base rack + Attachments) | 3 |

Vehicle preparations



1 Clean the groove of the rail.



Be sure to install the carriers so that the cross bars are positioned vertically against the direction of the vehicle.



Change the installation positions of the front and rear carriers in accordance with the attachment used so that the load does not touch the rear hatch and / or the spoiler of the vehicle.

2 Insert the plate (v) into the groove of genuine roof rail with the arrow on the plate (v) facing toward the outside of the vehicle.



4 plates should be inserted into one roof rail. Insert the plates from outside of the vehicle. (As figure)

3 Place the coating plate and the base unit (XR) on the inserted plate (v). Loosely screw them together with the bolts [M6x35] through the hole of the base unit (XR).



Neither the bolts [M6x15mm] that are supplied with the carrier, nor the washers and base plates supplied with the product are used.

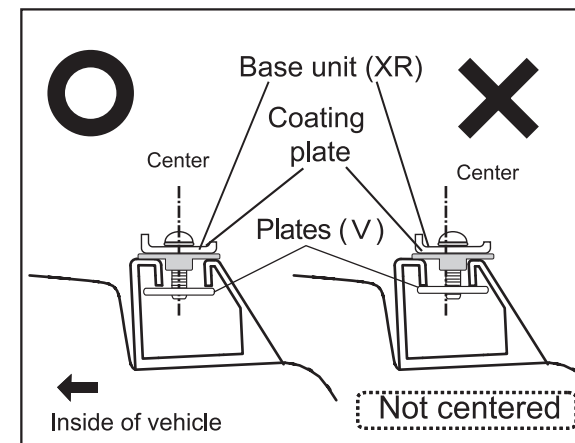
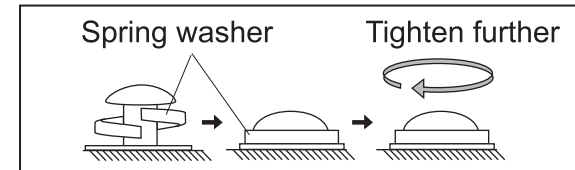
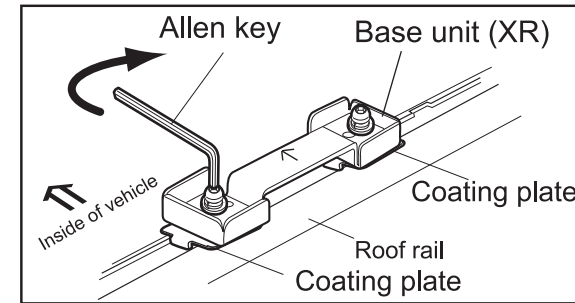
The arrow of the base unit (XR) should face inside of the vehicle.

4 Be sure to keep the distance between the front and rear carriers more than 27.5inch (700mm).



Be sure to install correctly so as not to have to readjust when mounting the carriers.

Base unit installation procedure



5 Tighten both bolts alternately using the attached Allen key.



- Tighten the bolt until the spring washer lies flat.
- Tighten the bolt with 4[N · m] (39.2 [kgf · cm]) of torque.



Verify that the center of the bolt and that of the roof rail are aligned as illustrated. Decentered alignment may lead to separation of the stays resulting in serious injuries and/or accidents.