

# Installation Instructions

Before using the Mounting hooks, carefully read the installation instructions as well as the installation instructions for basic carrier systems, and follow all usage instructions. After reading the installation instructions, keep it in a safe place along with the installation instructions for basic carrier systems. If you are to give the mounting hooks to a third person, provide the installation instructions to ensure safe installation and usage.

## ! WARNING

Install hooks correctly at specified positions according to the installation instructions herein and the installation instructions for the applicable carrier system. Installation positions of hooks depend on the vehicle type. If hooks are not installed at specified positions, the carrier may fall and cause accidents.

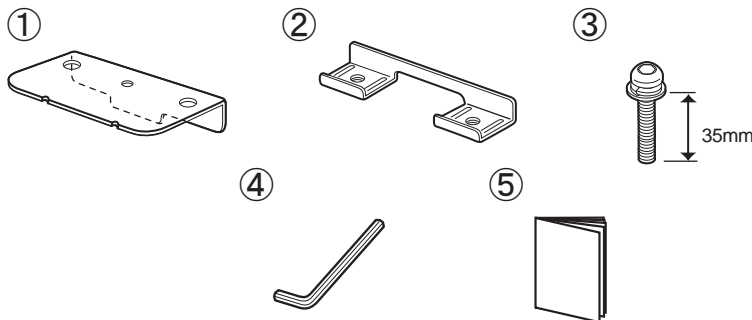
If inappropriate hooks are used, the carrier / attachment may fall and cause accidents. Before driving the vehicle, rock the stays and bars in all directions to ensure that there is no looseness. Retighten any loose knobs or bolts.

Do not use these hooks for attachments of non-specified types. The carrier may fall and cause accidents.

Observe the specified loading conditions. Failure to observe the loading condition may cause the carrier to break or loosen and fall, resulting in accidents.

For INNO dedicated ski & snowboard carriers, read the carrier installation instructions to determine proper mounting locations.

The TR Mounting hooks include the parts listed below. Verify that all of these parts are included in the carrier system you have purchased.



No	Parts	Qty
①	Base plate	4
②	Hook plate	4
③	Bolt (M6 x 35 mm)	8
④	Hex Wrench [B=4]	1
⑤	Installation instructions	1

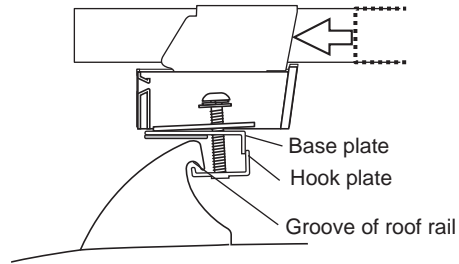
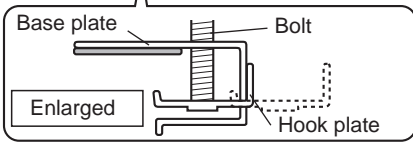
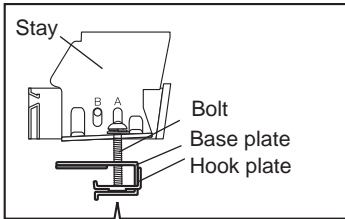
### NOTE

The specifications or external appearance of this product or any of the genuine spare parts may be changed for improvement without prior notification.

## TR502

### Basic carrier system TR

Attach the stay base plate and hook plate with 2 bolts. At this point, do not tighten the bolts all the way.



Slide hook plate into the groove of roof rail.

### Basic carrier system XR

