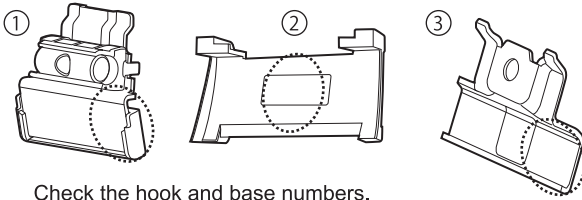
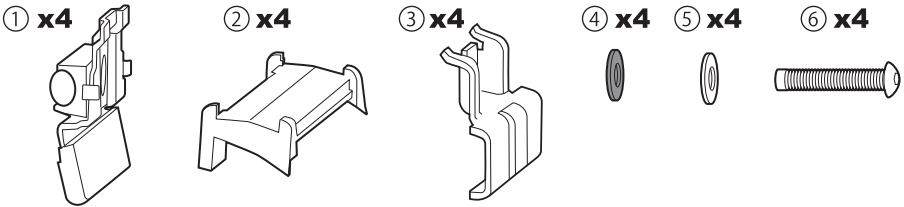


EN : Please read both the Stay installation instructions and INNO common installation instructions (both included in Stay package).  
Keep this installation instructions in a safe place.



Check the hook and base numbers.

	No.
①	871
②	A02
③	701



No.	
①	Inner hook
②	Base
③	Outer hook
④	Washer
⑤	Nylon washer
⑥	Bolt

We do not accept any liability for accidents, damage or injury caused by incorrect installation or use, modification, or natural disaster.

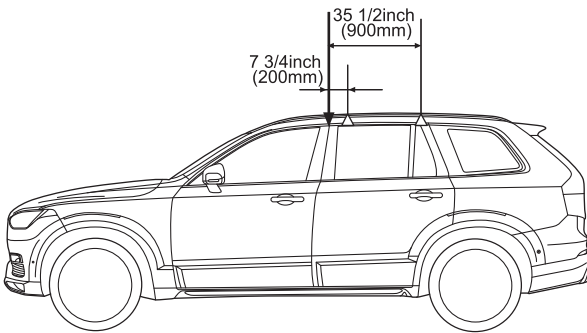
# TR169

## Mounting Method by Vehicle Type

Manufacturer	Model	Type	Year	Maximum loading capacity
VOLVO	XC90		2016 -	140lbs (64kg) / 140libras (64kg) / 140libras (64kg) ※

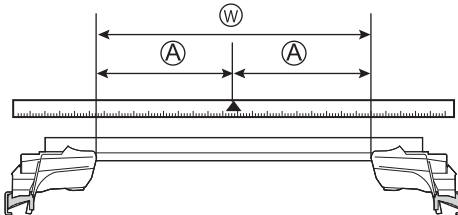
※ Load + Base rack + Attachments

### Recommended mounting position



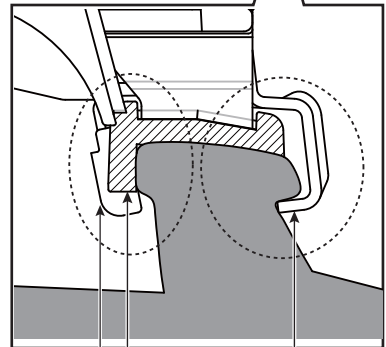
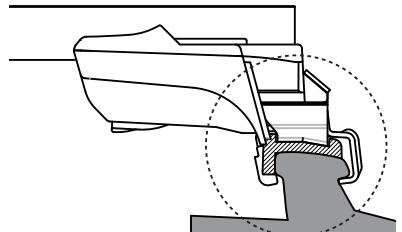
### Stay interior dimensions

	Ⓜ	Ⓐ
Front	33 5/8inch (854mm)	16 3/4inch (427mm)
Rear	32 1/2inch (826mm)	16 1/4inch (413mm)



If not using the recommended mounting positions, follow the Stay installation instructions.

### Detailed installation diagram



Base

Outer hook

Inner hook