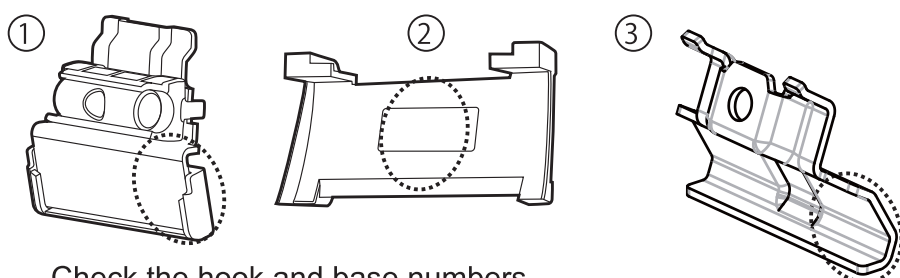
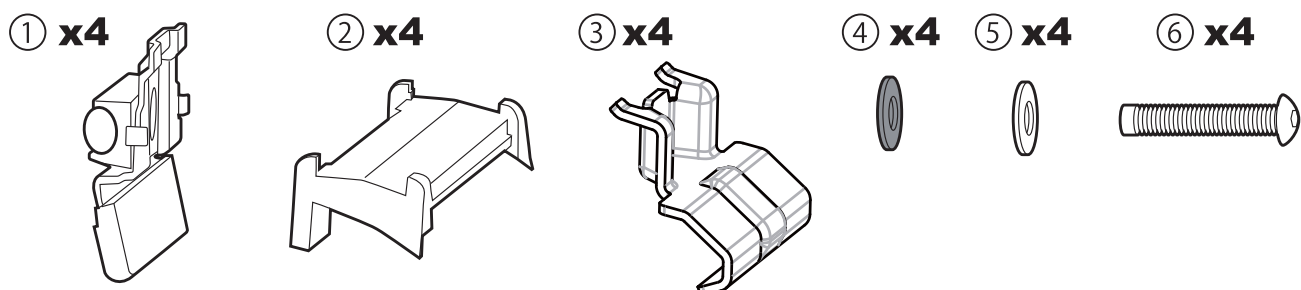


Please read both the Stay installation instructions and INNO common installation instructions (both included in Stay package).



Check the hook and base numbers.

	No.
①	871
②	A01
③	723



No.

- | | |
|---|--------------|
| ① | Inner hook |
| ② | Base |
| ③ | Outer hook |
| ④ | Washer |
| ⑤ | Nylon washer |
| ⑥ | Bolt |

We do not accept any liability for accidents, damage or injury caused by incorrect installation or use, modification, or natural disaster.

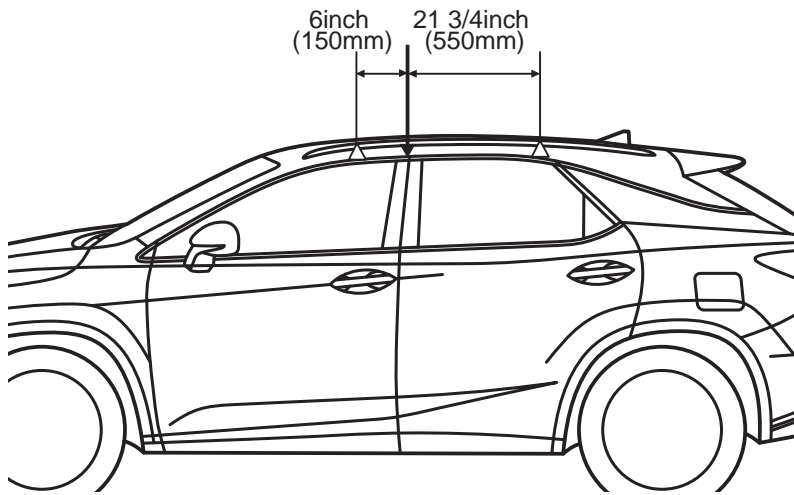
Mounting Method by Vehicle Type

TR163

Manufacturer	Model	Type	Year	Maximum loading capacity
LEXUS	RX		2016 -	165lbs (75kg)

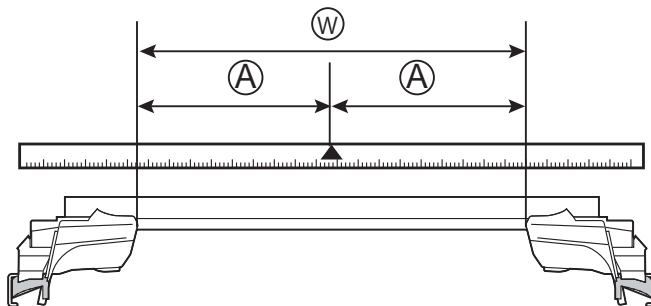
※ Load + Base rack + Attachments

Recommended mounting position



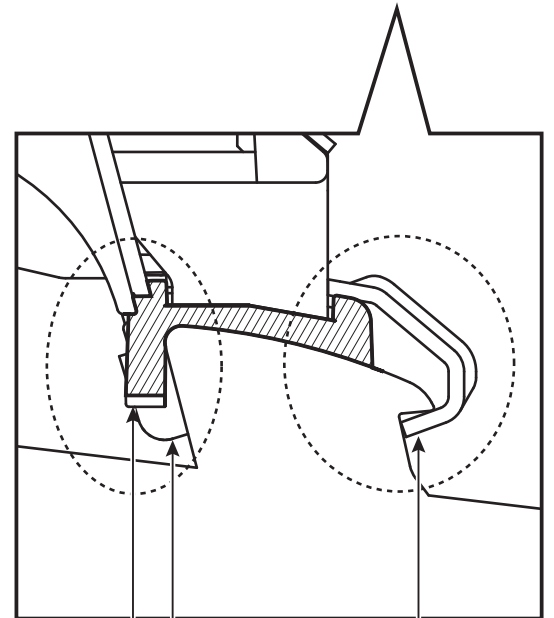
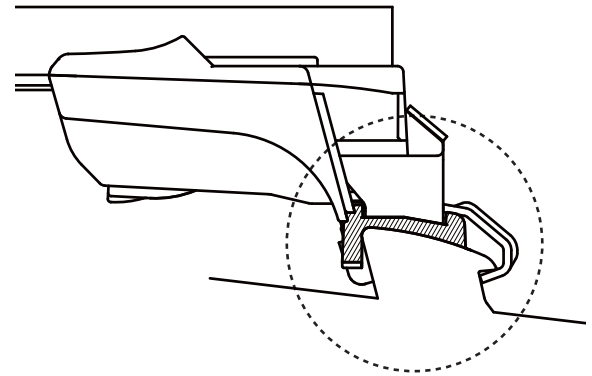
Stay interior dimensions

	Ⓜ	Ⓐ
Front	33 5/8inch (854mm)	16 3/4inch (427mm)
Rear	32inch (814mm)	16inch (407mm)



If not using the recommended mounting positions, follow the Stay installation instructions.

Detailed installation diagram



Base

Outer hook

Inner hook

6110309TR163A2-US

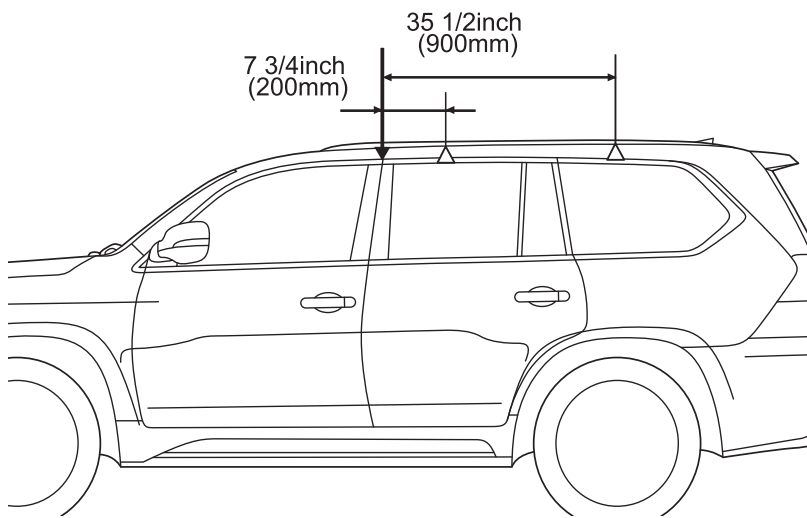
Mounting Method by Vehicle Type

TR163

Manufacturer	Model	Type	Year	Maximum loading capacity
LEXUS	LX		2016 -	165lbs (75kg)

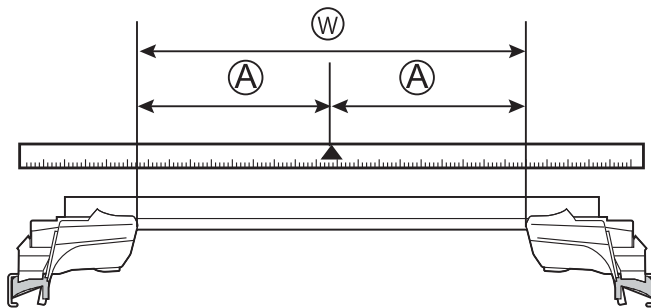
※ Load + Base rack + Attachments

: Recommended mounting position



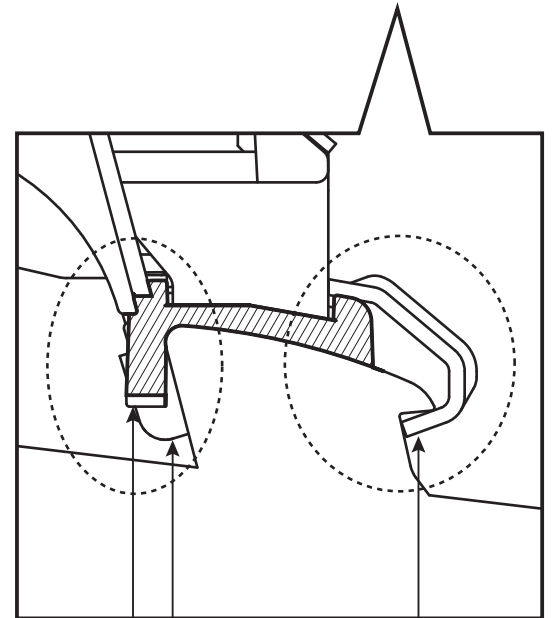
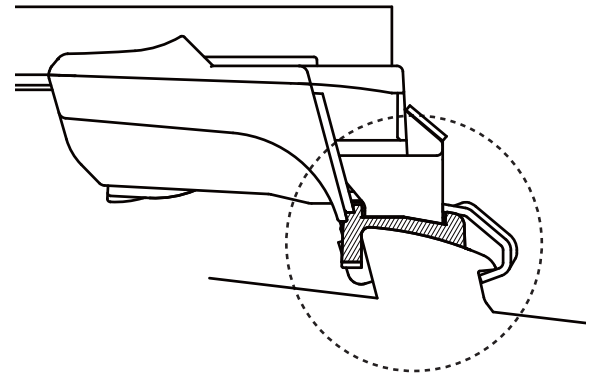
Stay interior dimensions

	Ⓜ	Ⓐ
Front	36 3/8inch (924mm)	18 1/4inch (462mm)
Rear	35 1/4inch (894mm)	17 5/8inch (447mm)



If not using the recommended mounting positions, follow the Stay installation instructions.

Detailed installation diagram



Base

Outer hook

Inner hook