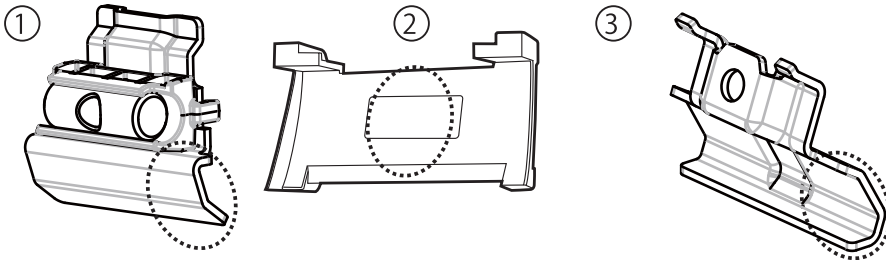
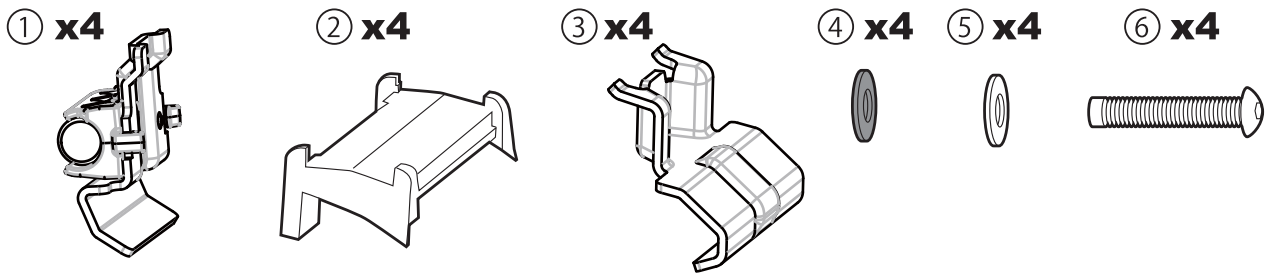


Please read both the Stay installation instructions and INNO common installation instructions (both included in Stay package).  
Keep this installation instructions in a safe place.



Check the hook and base numbers.

	No.
①	832
②	A01
③	723



No.	
①	Inner hook
②	Base
③	Outer hook
④	Washer
⑤	Nylon washer
⑥	Bolt

We do not accept any liability for accidents, damage or injury caused by incorrect installation or use, modification, or natural disaster.

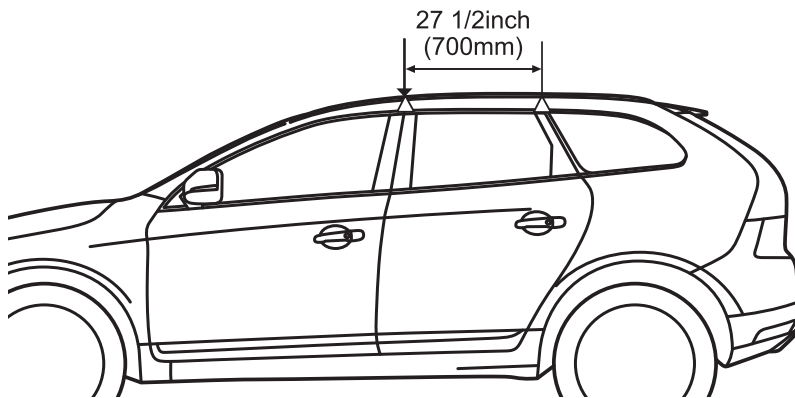
# TR161

## Mounting Method by Vehicle Type

Manufacturer	Model	Type	Year	Maximum loading capacity
VOLVO	XC60		2009 -	165lbs (75kg) / 165libras (75kg) / 165libras (75kg) ※

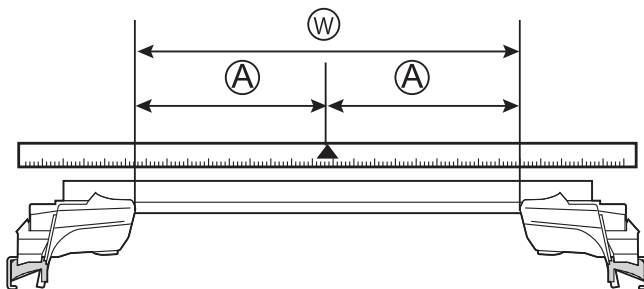
※ Load + Base rack + Attachments

Recommended mounting position



Stay interior dimensions

	Ⓜ	Ⓐ
Front	32 1/2inch (826mm)	16 1/4inch (413mm)
Rear	31 3/4inch (806mm)	15 7/8inch (403mm)



Due to the low clearance between the cross bar and the roof, the lever will not open. Lift the stay from the flush rail to open the lever, then adjust the stay. If not using the recommended mounting positions follow the Stay installation instructions

Detailed installation diagram

