

# Installation Instructions

Before using the Mounting hooks, carefully read the installation instructions as well as the installation instructions for basic carrier systems, and follow all usage instructions. After reading the installation instructions, keep it in a safe place along with the installation instructions for basic carrier systems. If you are to give the mounting hooks to a third person, provide the installation instructions to ensure safe installation and usage.

## **WARNING**

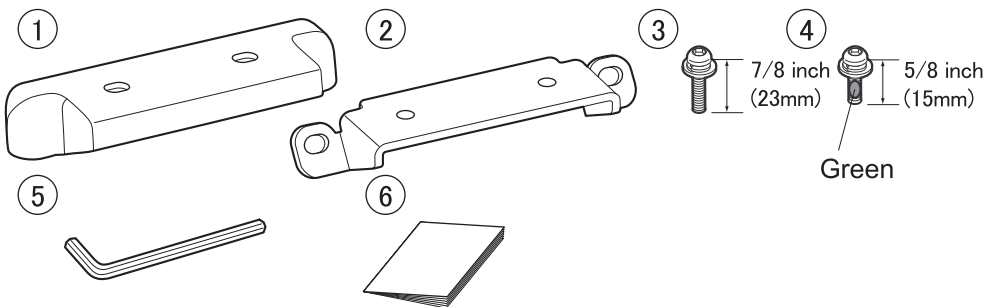
Install hooks correctly at specified positions according to the installation instructions herein and the installation instructions for the applicable carrier system. Installation positions of hooks depend on the vehicle type. If hooks are not installed at specified positions, the carrier may fall and cause accidents.

Do not use these hooks for attachments of non-specified types.  
The carrier may fall and cause accidents.

Observe the specified loading conditions.  
Failure to observe the loading condition may cause the carrier to break or loosen and fall, resulting in accidents.

For INNO dedicated ski & snowboard carriers, read the carrier installation instructions to determine proper mounting locations.

The TR Mounting hooks include the parts listed below. Verify that all of these parts are included in the carrier system you have purchased.



No.	Part	Qty
①	Cover	4
②	Base Plate	4
③	Bolt [M6x23]	8
④	Green Bolt [M6x15]	8
⑤	Hex Wrench [B=4]	1
⑥	Installation Instructions	1

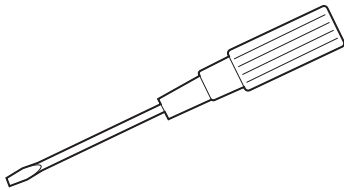
### **NOTE**

The specifications or external appearance of this product or any of the genuine spare parts may be changed for improvement without prior notification.

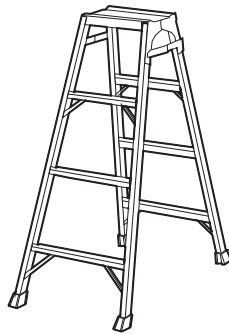
Manufacturer	Vehicle model	Vehicle type	Model year	Loading conditions	
				Maximum Load Capacity	Bike
CHEVROLET	TAHOE		2015 -	140 lbs ( 64 kg) ( Load + Base rack + Attachments )	3
	SUBURBAN		2015 -		
GMC	YUKON		2015 -		
	YUKON XL		2015 -		
	YUKON DENALI		2015 -		
	YUKON XL DENALI		2015 -		

**Tools needed for install (Not included)**

Flathead screwdriver



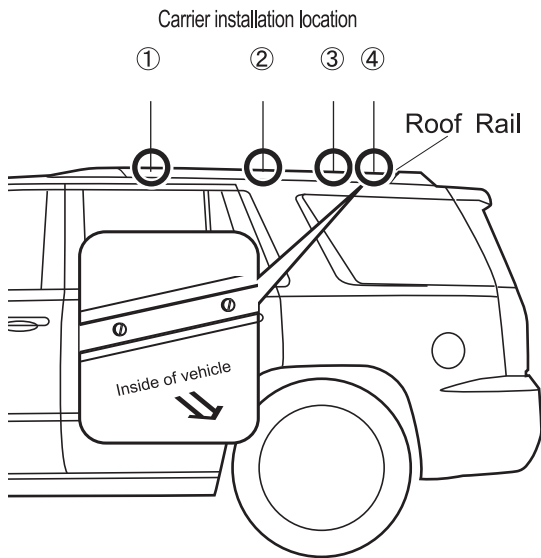
Stepladder



**Tools needed for install (Not included)**

Prepare the tools to install this product.

**Deciding the carrier installation location**



**1 Deciding the carrier installation location**

Distance between front carrier and rear carrier must be more than 24 inch (600 mm).

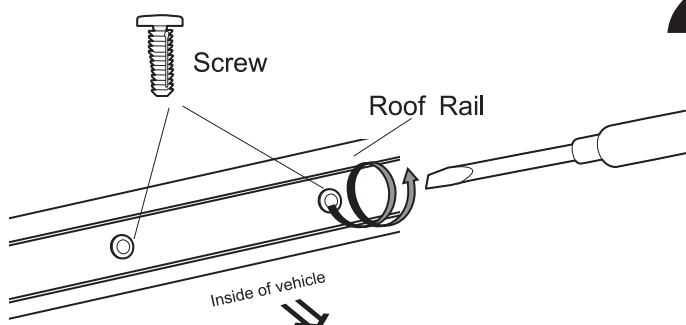
**TAHOE, YUKON, YUKON DENALI**

Choose 2 places from ①, ②, and ③.

**SUBURBAN, YUKON XL, YUKON XL DENALI**

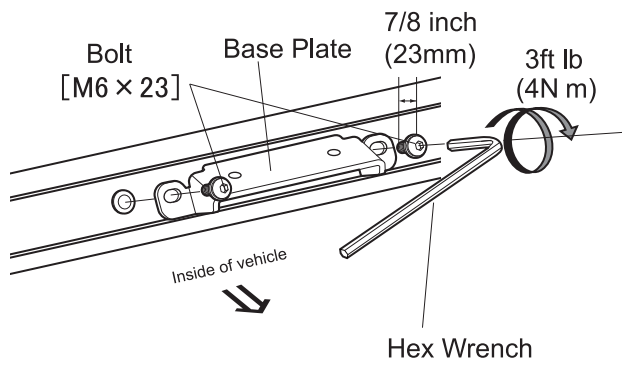
Choose 2 places from ①, ②, ③ and ④.

**Vehicle preparations**



**2 Removing screws from the carrier installation location**

Remove the 2 screws at each of the carrier installation locations using the flathead screwdriver.



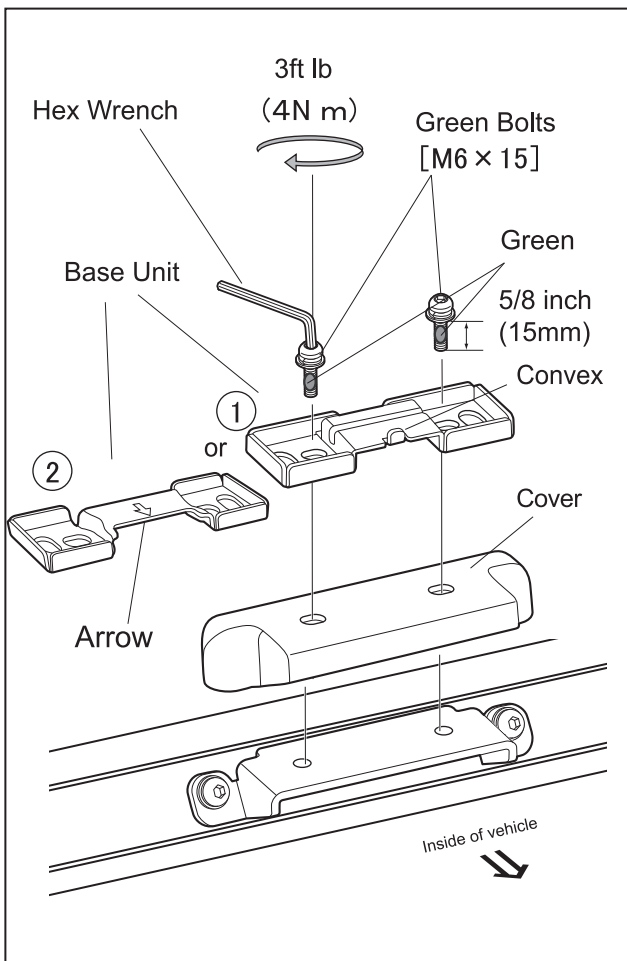
### 3 Attaching the base plate

Using the hex wrench (included), tighten the base plate while alternating between the right and left bolts [M6x23].

**TR154**

Installing System Carrier

EN



### 4

Place the cover and the base unit on the installed base plate using the hex wrench (included). Tighten while alternating between the right and left green bolt [M6x15] until the bolts are firmly tightened.



WARNING

● Do not use bolts [M6x15] included with Base Rack Stay Set.

#### Base Unit ①

Place the base unit in a way that the convex section is on the inner side of the vehicle.

#### Base Unit ②

The base unit must be placed as the arrow on the unit faces toward the vehicle center.