

Installation Instructions

Before using the Mounting hooks, carefully read the installation instructions as well as the installation instructions for basic carrier systems, and follow all usage instructions. After reading the installation instructions, keep it in a safe place along with the installation instructions for basic carrier systems. If you are to give the mounting hooks to a third person, provide the installation instructions to ensure safe installation and usage.

WARNING

Install hooks correctly at specified positions according to the installation instructions herein and the installation instructions for the applicable carrier system. Installation positions of hooks depend on the vehicle type. If hooks are not installed at specified positions, the carrier may fall and cause accidents.

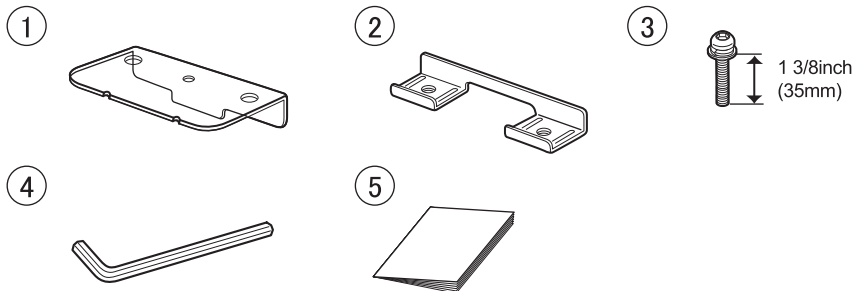
Do not use these hooks for attachments of non-specified types.
The carrier may fall and cause accidents.

Observe the specified loading conditions.
Failure to observe the loading condition may cause the carrier to break or loosen and fall, resulting in accidents.

For INNO dedicated ski & snowboard carriers, read the carrier installation instructions to determine proper mounting locations.

The TR Mounting hooks include the parts listed below. Verify that all of these parts are included in the carrier system you have purchased.

No.	Part	Qty
①	Base plate	4
②	Hook plate	4
③	Bolt [M6x35]	8
④	Hex Wrench [B=4]	1
⑤	Installation Instructions	1



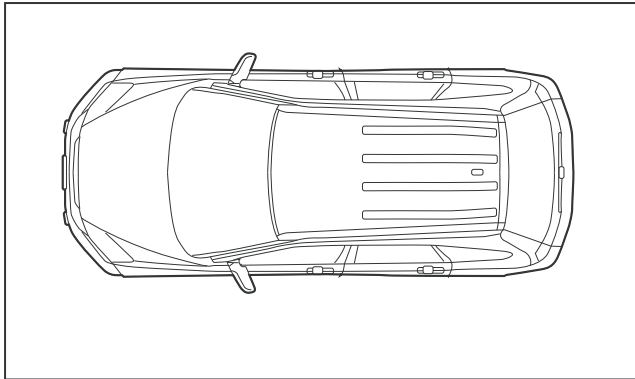
NOTE

The specifications or external appearance of this product or any of the genuine spare parts may be changed for improvement without prior notification.

Manufacturer	Vehicle model	Vehicle type	Model year	Loading conditions	
				Maximum Load Capacity	Bike
LEXUS	GX460		2010 -	140 lbs (64 kg) (Load + Base rack + Attachments)	3

Vehicle preparations

Clean the groove of the rail



⚠ WARNING

Be sure to install the carriers so that the cross bars are positioned vertically against the direction of the vehicle.

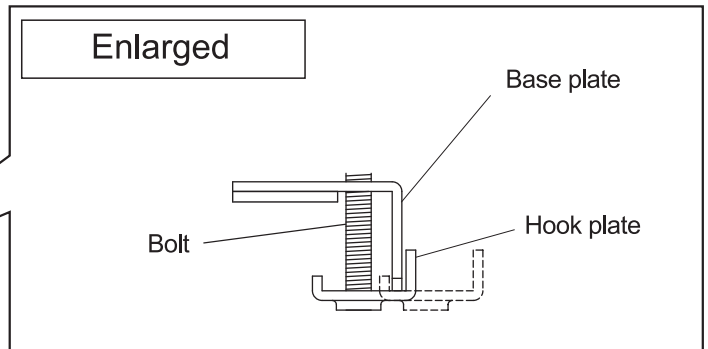
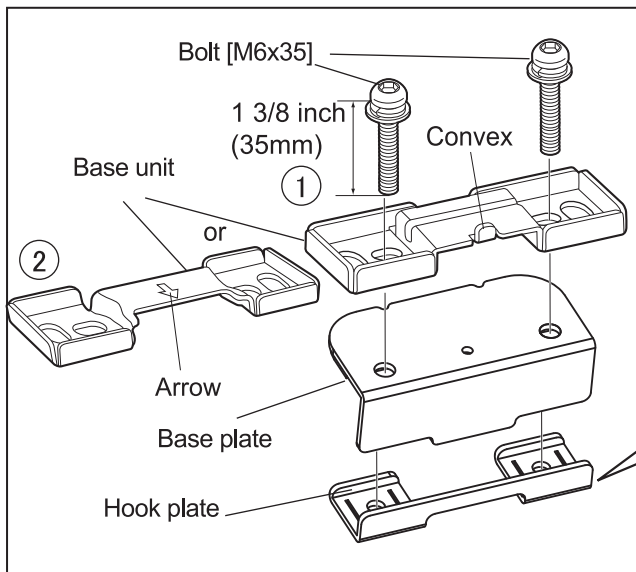
📌 NOTE

Change the installation positions of the front and rear carriers in accordance with the attachment used so that the load does not touch the rear hatch and / or the spoiler of the vehicle.

Installation

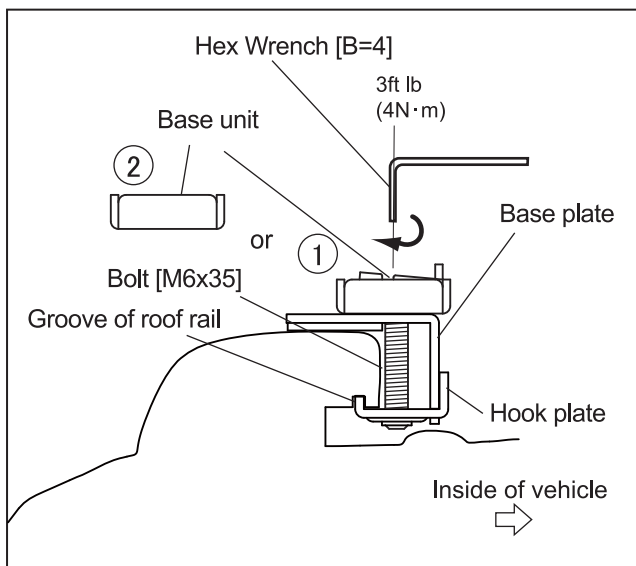
1

Attach the base unit, base plate and hook plate with 2 bolts[M6x35]. At this point, do not tighten the bolts all the way.



2

Slide hook plate into the groove of roof rail. Tighten alternately the right and left bolts by using Hex Wrench until the bolts[M6x35] are firmly tightened.



Base Unit ①

Place the base unit in a way that the convex section is on the inner side of the vehicle.

Base Unit ②

The base unit must be placed as the arrow on the unit faces toward the vehicle center.