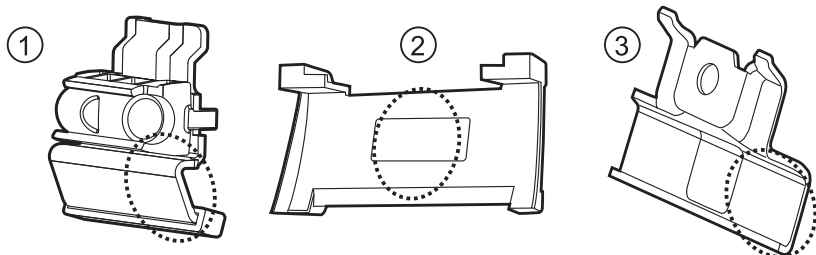
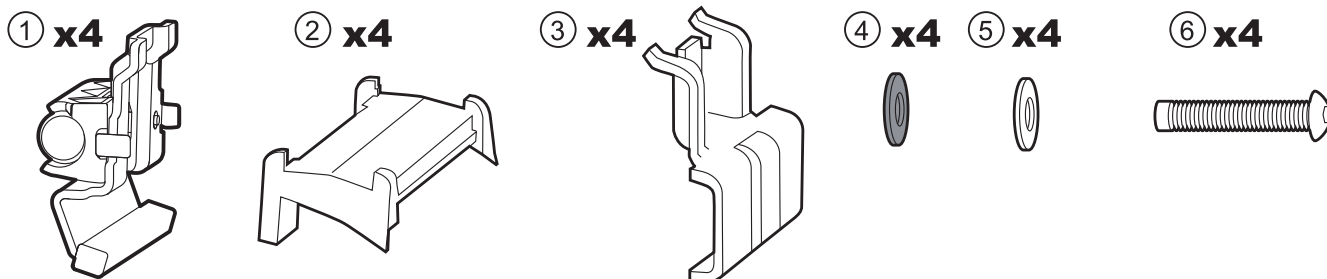


Please read both the Stay installation instructions and INNO common installation instructions (both included in Stay package).  
Keep this installation instructions in a safe place.



Check the hook and base numbers.

	No.
①	812
②	A01
③	721



No.	
①	Inner hook
②	Base
③	Outer hook
④	Washer
⑤	Nylon washer
⑥	Bolt

We do not accept any liability for accidents, damage or injury caused by incorrect installation or use, modification, or natural disaster.

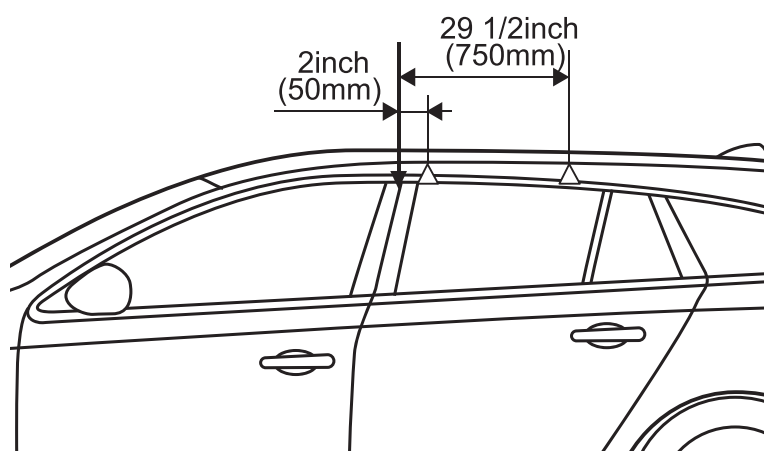
# TR143

## Mounting Method by Vehicle Type

Manufacturer	Model	Type	Year	Maximum loading capacity
VOLVO	V60		2015 -	165lbs (75kg)

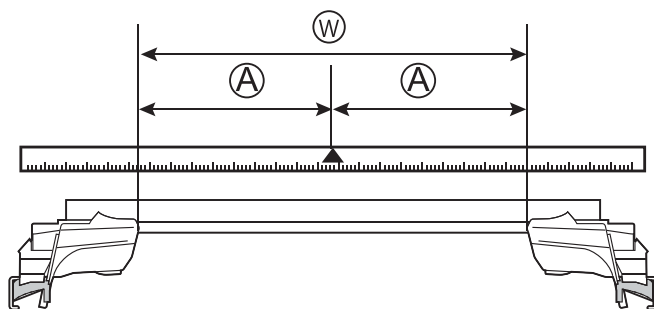
※ Load + Base rack + Attachments

### Recommended mounting position



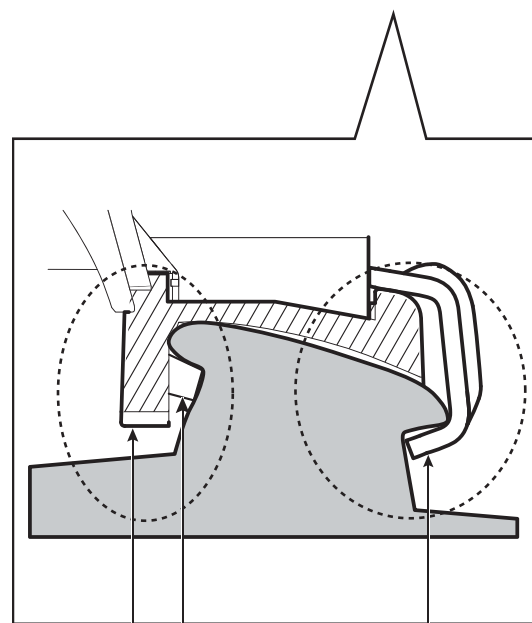
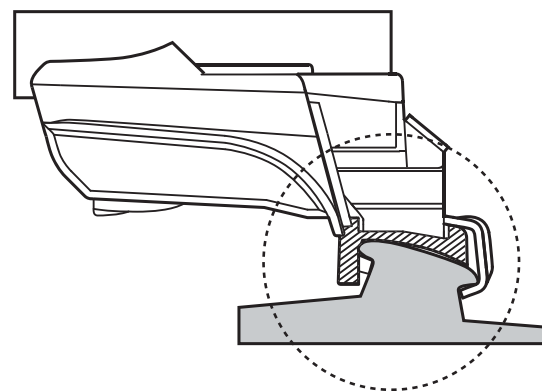
### Stay interior dimensions

	Ⓜ	Ⓐ
Front	32 1/4inch (820mm)	16 1/8inch (410mm)
Rear	29 7/8inch (758mm)	14 7/8inch (379mm)



If not using the recommended mounting positions, follow the Stay installation instructions.

### Detailed installation diagram



Base

Outer hook

Inner hook

5110302TR143A2B-US