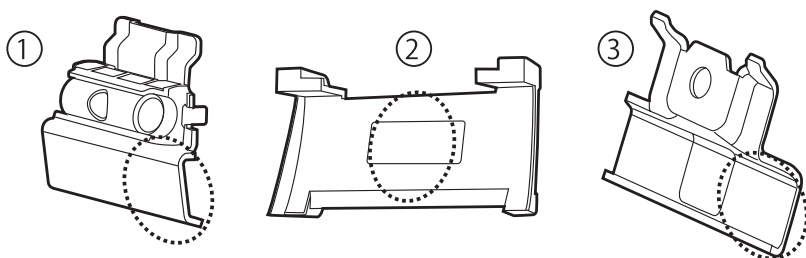


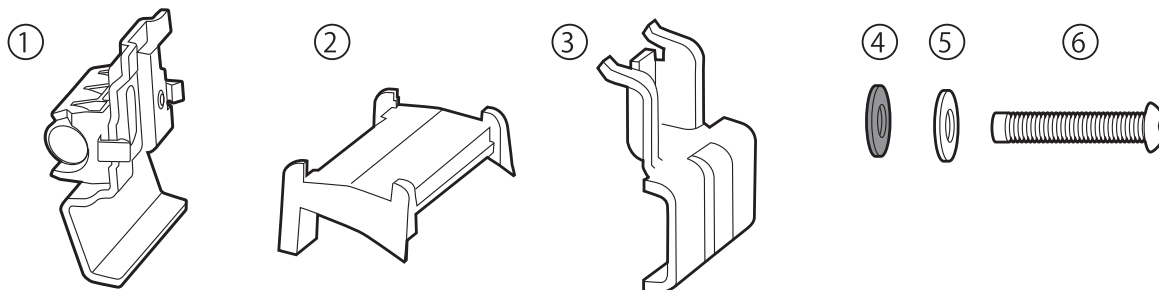
Please read both the Stay installation instructions and INNO common installation instructions (both included in Stay package).

Keep this installation instructions in a safe place.



Check the hook and base numbers.

	No.
①	851
②	A02
③	721



No.	
①	Inner hook
②	Base
③	Outer hook
④	Washer
⑤	Nylon washer
⑥	Bolt

We do not accept any liability for accidents, damage or injury caused by incorrect installation or use, modification, or natural disaster.

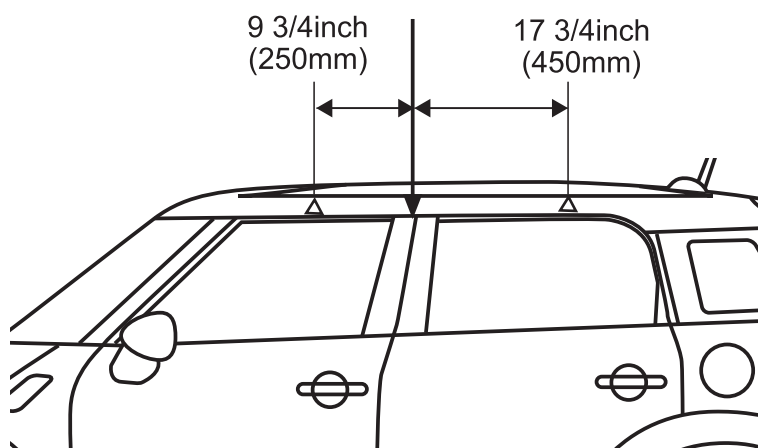
TR142

Mounting Method by Vehicle Type

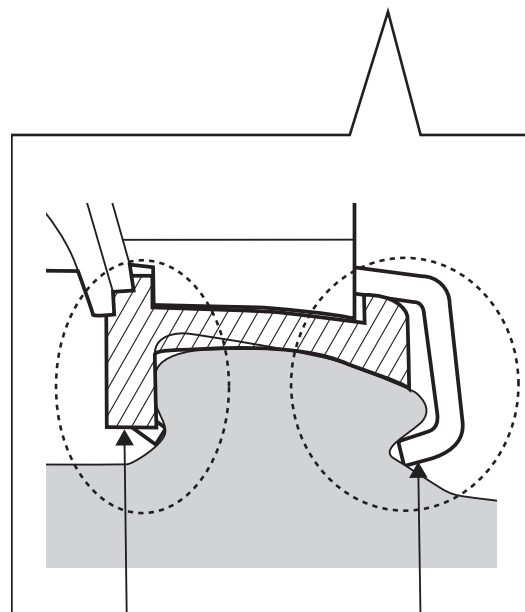
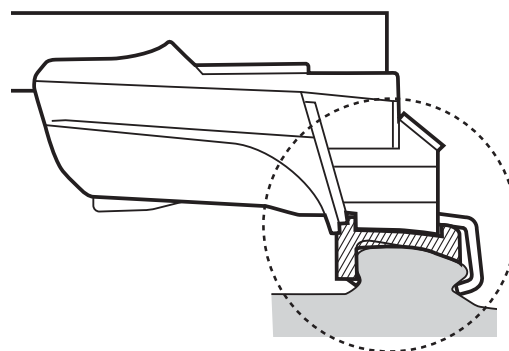
Manufacturer	Model	Type	Year	Maximum loading capacity
MINI	COUNTRYMAN		2011 -	165lbs (75kg)

※ Load + Base rack + Attachments

Recommended mounting position



Detailed installation diagram

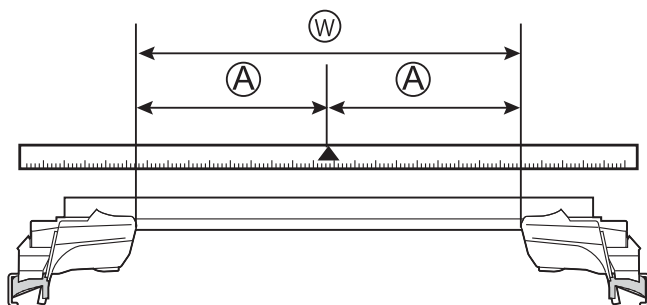


Base

Outer hook

Stay interior dimensions

	Ⓜ	Ⓐ
Sección delantera	29 1/2inch (748mm)	14 3/4inch (374mm)
Sección trasera	29 7/8inch (734mm)	14 1/2inch (367mm)



If not using the recommended mounting positions, follow the Stay installation instructions.

4110310TR1422-A