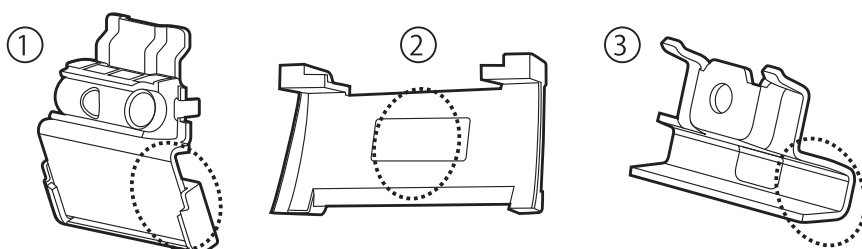
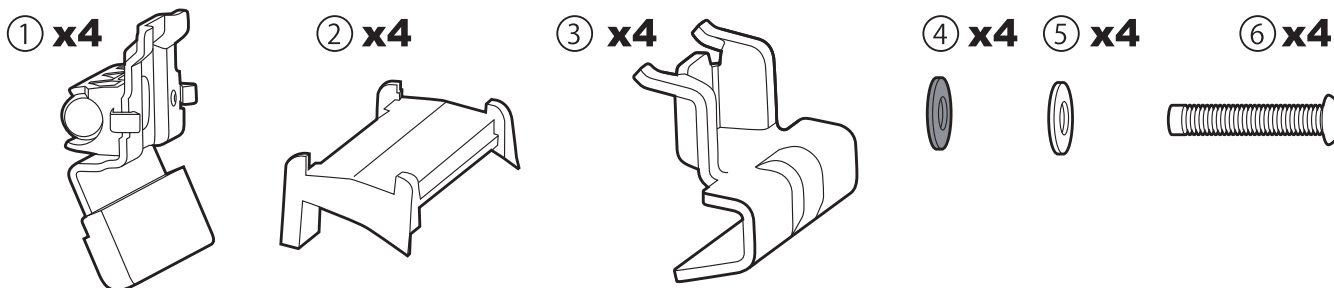


Please read both the Stay installation instructions and INNO common installation instructions (both included in Stay package).



Check the hook and base numbers.

	No.
①	861
②	A01
③	711



No.

- |   |              |
|---|--------------|
| ① | Inner hook   |
| ② | Base         |
| ③ | Outer hook   |
| ④ | Washer       |
| ⑤ | Nylon washer |
| ⑥ | Bolt         |

We do not accept any liability for accidents, damage or injury caused by incorrect installation or use, modification, or natural disaster.

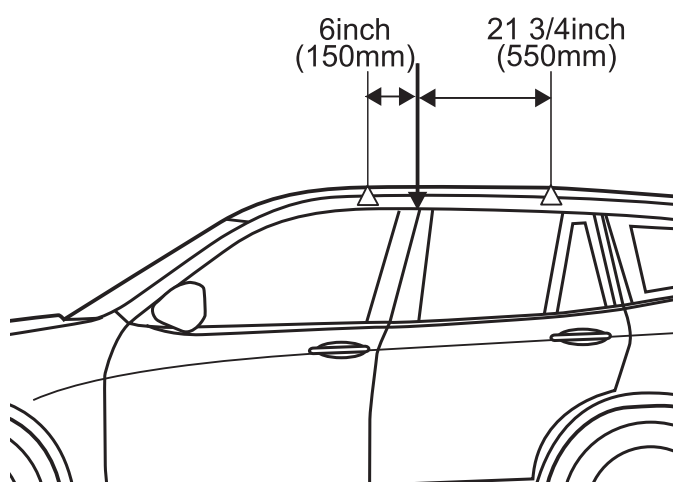
# TR141

## Mounting Method by Vehicle Type

Manufacturer	Model	Type	Year	Maximum loading capacity
BMW	X3		2011 -	165lbs (75kg)

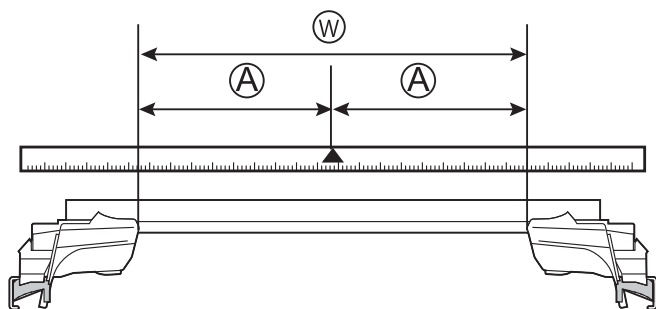
※ Load + Base rack + Attachments

### Recommended mounting position



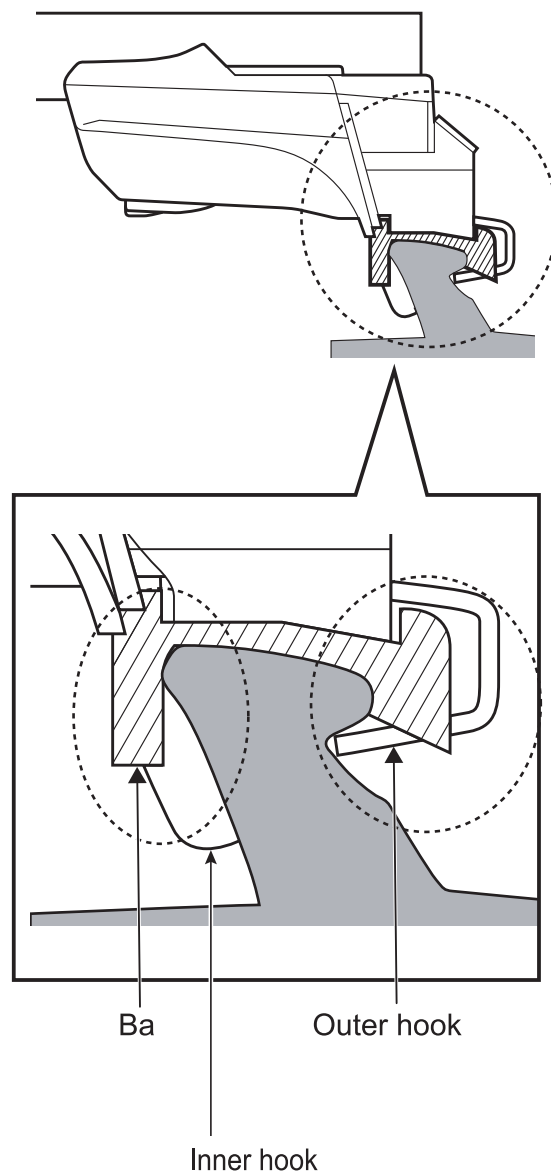
### Stay interior dimensions

	Ⓜ	Ⓐ
Front	33 7/8inch (860mm)	16 7/8inch (430mm)
Rear	33 3/8inch (848mm)	16 3/4inch (424mm)



If not using the recommended mounting positions, follow the Stay installation instructions.

### Detailed installation diagram



4110310TR141A2-US

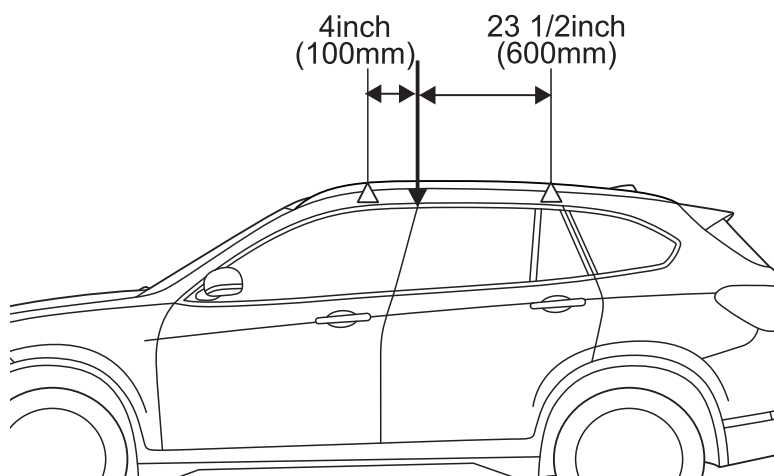
# TR141

## Mounting Method by Vehicle Type

Manufacturer	Model	Type	Year	Maximum loading capacity
BMW	X1		2016 -	165lbs (75kg)

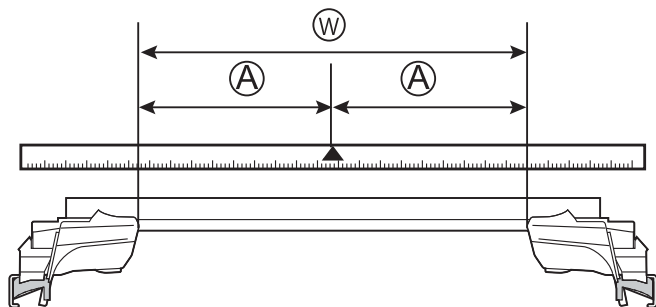
※ Load + Base rack + Attachments

### Recommended mounting position



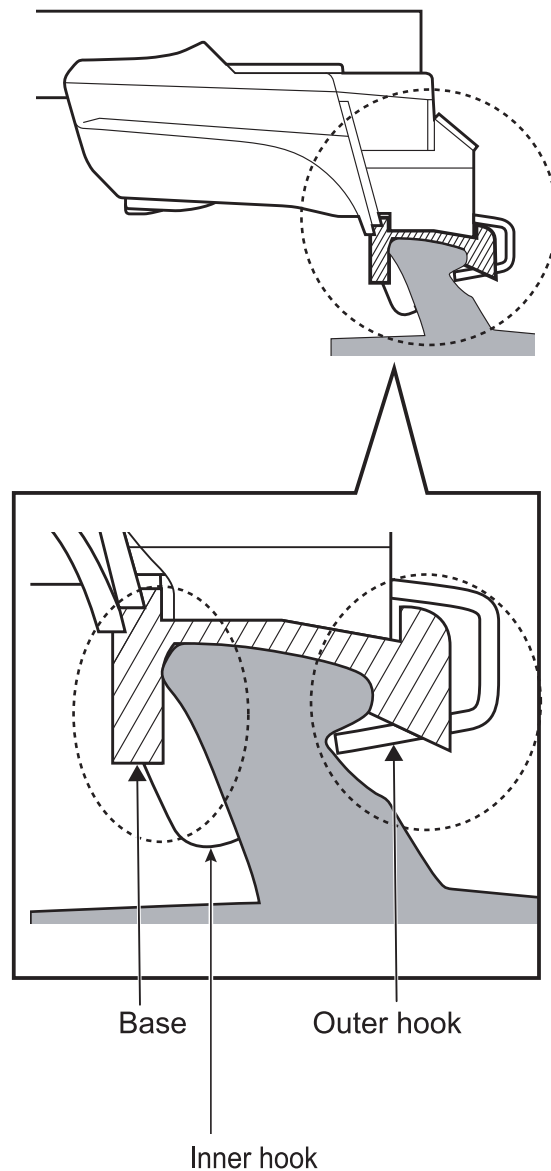
### Stay interior dimensions

	Ⓜ	Ⓐ
Front	34 1/8inch (868mm)	17 1/8inch (434mm)
Rear	32 7/8inch (836mm)	16 1/2inch (418mm)



If not using the recommended mounting positions, follow the Stay installation instructions.

### Detailed installation diagram



7110304TR141A3-US