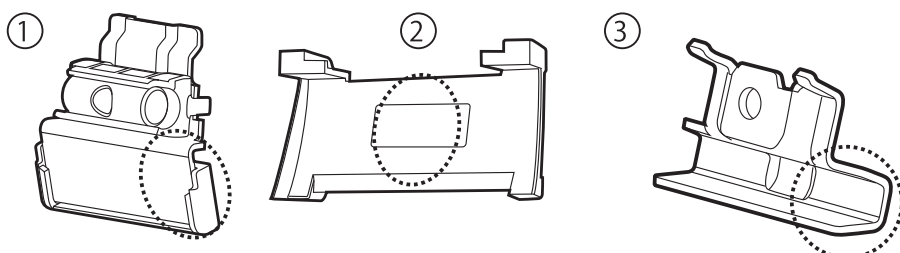
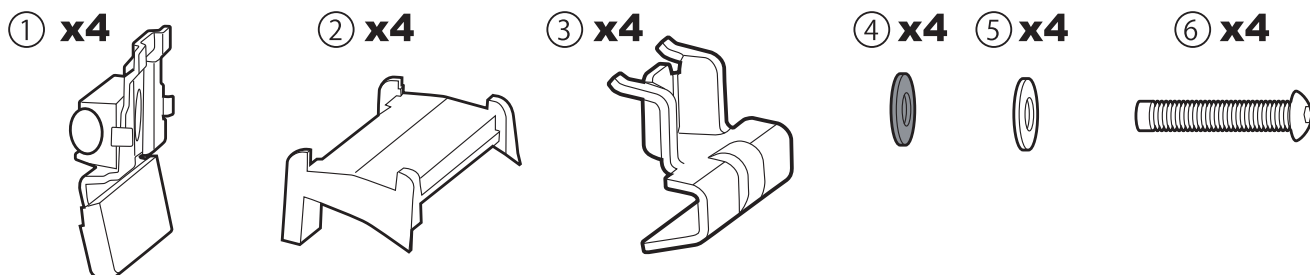


Please read both the Stay installation instructions and INNO common installation instructions (both included in Stay package).
Keep this installation instructions in a safe place.



Check the hook and base numbers.

	No.
①	871
②	A01
③	711



No.	
①	Inner hook
②	Base
③	Outer hook
④	Washer
⑤	Nylon washer
⑥	Bolt

We do not accept any liability for accidents, damage or injury caused by incorrect installation or use, modification, or natural disaster.

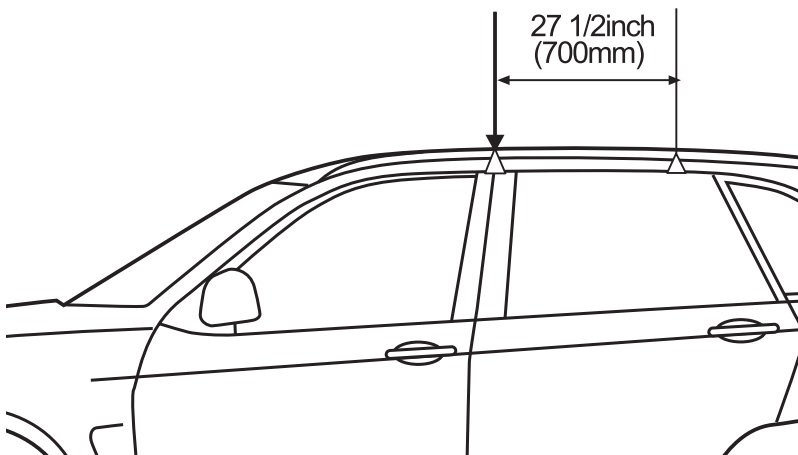
TR140

Mounting Method by Vehicle Type

Manufacturer	Model	Type	Year	Maximum loading capacity
BMW	X5		2014 -	165lbs (75kg)

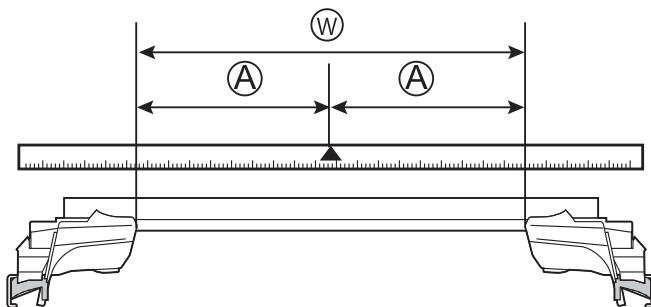
※ Load + Base rack + Attachments

Recommended mounting position



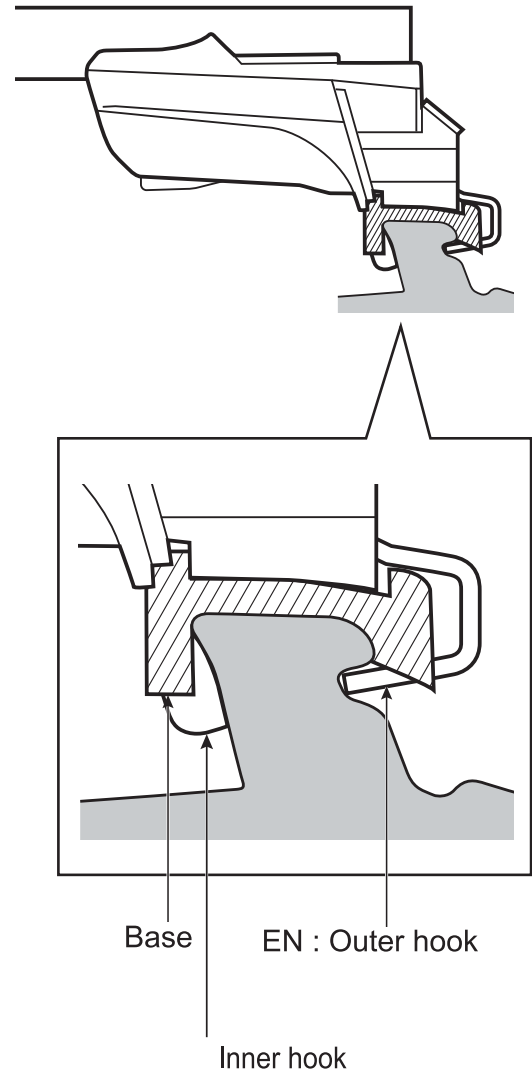
Stay interior dimensions Dimensions intérieures de l' étau Dimensiones interiores del soporte

	Ⓜ	Ⓐ
Front / Avant / Sección delantera	36 1/4inch (922mm)	18 1/4inch (461mm)
Rear / Arrière / Sección trasera	35 1/4inch (896mm)	17 3/4inch (448mm)



If not using the recommended mounting positions, follow the Stay installation instructions

Detailed installation diagram



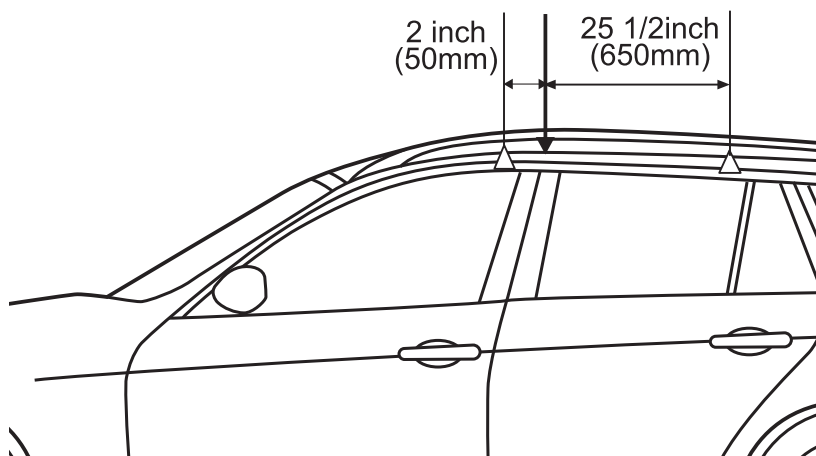
TR140

Mounting Method by Vehicle Type

Manufacturer	Model	Type	Year	Maximum loading capacity
BMW	3 SERIES	Sports Wagon	2014 -	165lbs (75kg)

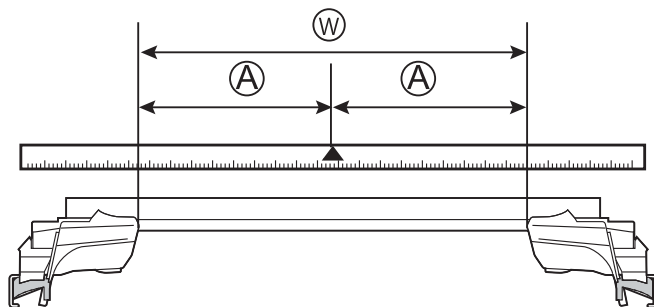
※ Load + Base rack + Attachments
 Charge + Le porteur de base + remorque
 Carga + Perchas de la base + Dispositivo de montaje

Recommended mounting position



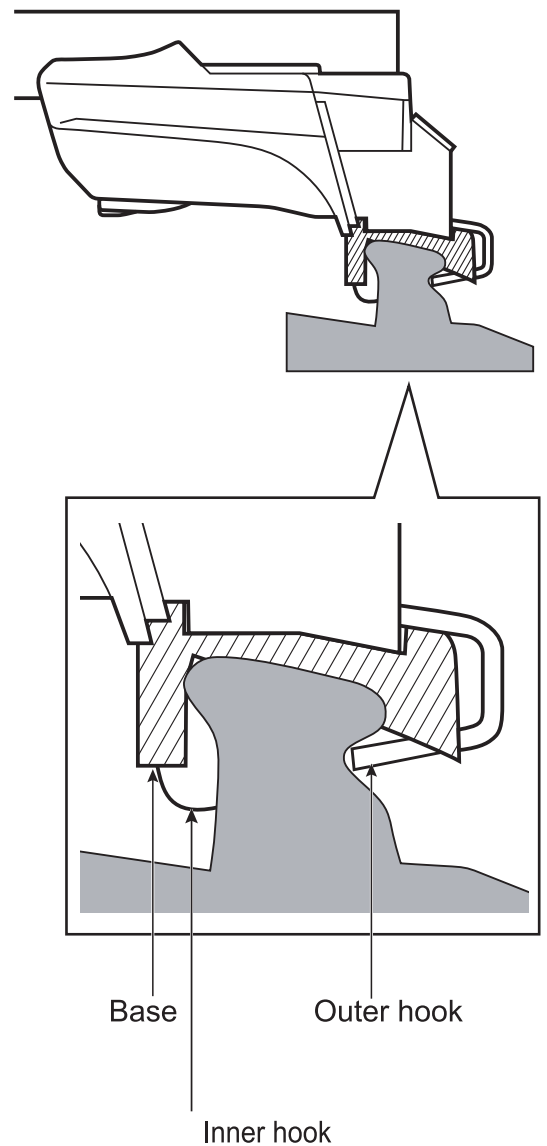
Stay interior dimensions

	Ⓜ	Ⓐ
Front / Avant / Sección delantera	31 7/8inch (810mm)	16 inch (405mm)
Rear / Arrière / Sección trasera	31 1/2inch (800mm)	15 3/4inch (400mm)



If not using the recommended mounting positions, follow the Stay installation instructions.

Detailed installation diagram



5110311TR140A3B-US