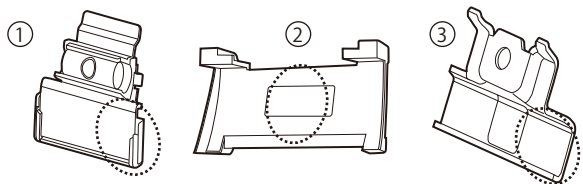


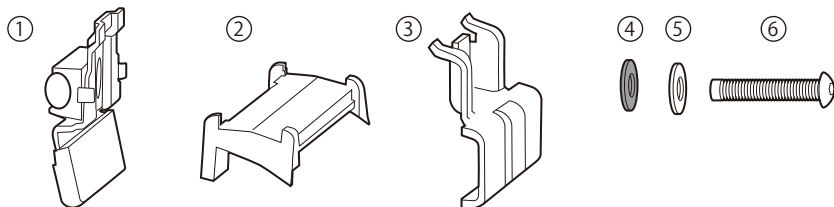
inno.TR139 Installation Instructions

Please read both the XS400 installation instructions and INNO common installation instructions (both included in XS400 package).
Keep this installation instructions in a safe place.



No.	
①	871
②	A01
③	721

Check the hook and base numbers.



No.	
①	Inner hook
②	Base
③	Outer hook
④	Washer
⑤	Nylon washer
⑥	Bolt

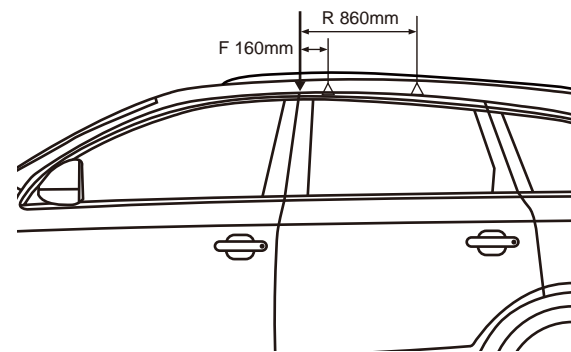
We do not accept any liability for accidents, damage or injury caused by incorrect installation or use, modification, or natural disaster.

Mounting Method by Vehicle Type

Manufacturer	Model	Type	Year Año	Maximum loading capacity
AUDI	Q7	5 door	2009 -	165lbs (75kg)

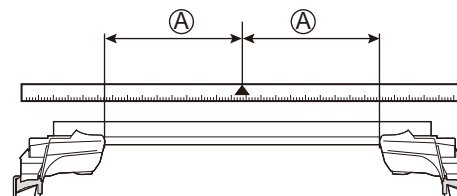
※ Load + Base rack + Attachments

Recommended mounting position

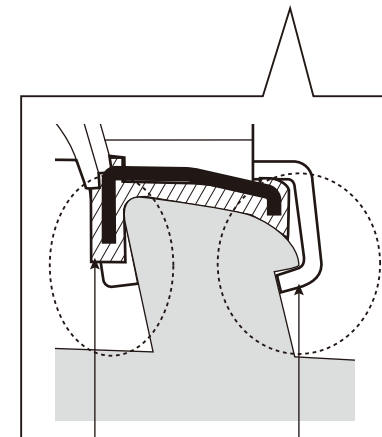
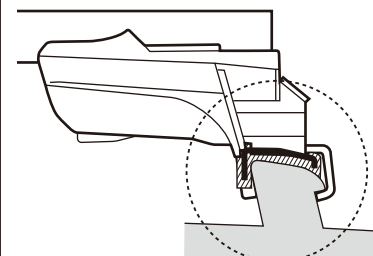


If not using the recommended mounting positions, follow the XS400 installation instructions for mounting positions.

Ⓐ Stay interior dimensions (Recommended mounting position)	
Front	426mm
Rear	423mm



Detailed installation diagram



Base Outer hook