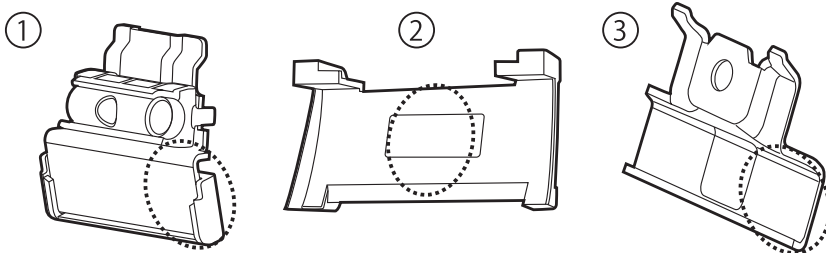


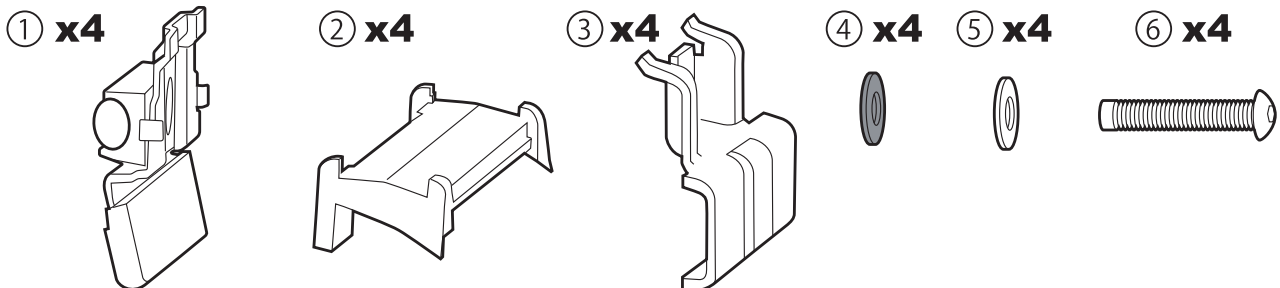
Please read both the Stay installation instructions and INNO common installation instructions (both included in Stay package).

Keep this installation instructions in a safe place.



Check the hook and base numbers.

	No.
①	871
②	A01
③	701



No.

- | | |
|---|--------------|
| ① | Inner hook |
| ② | Base |
| ③ | Outer hook |
| ④ | Washer |
| ⑤ | Nylon washer |
| ⑥ | Bolt |

We do not accept any liability for accidents, damage or injury caused by incorrect installation or use, modification, or natural disaster.

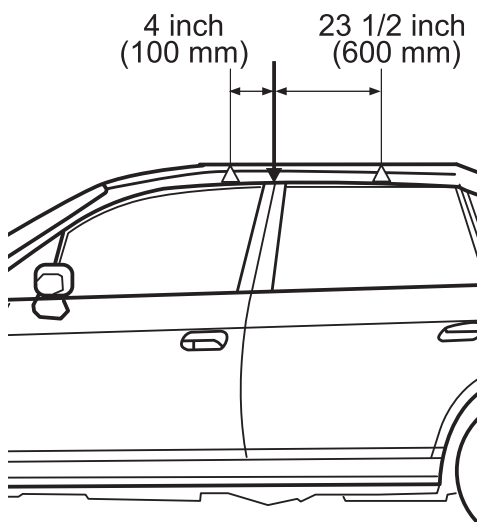
Mounting Method by Vehicle Type

TR138

Manufacturer	Model	Type	Year	Maximum loading capacity
AUDI	A4	Wagon	2009-2012	165lbs (75kg)

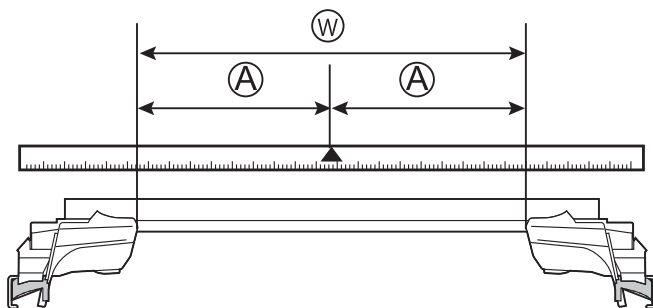
※ Load + Base rack + Attachments

Recommended mounting position



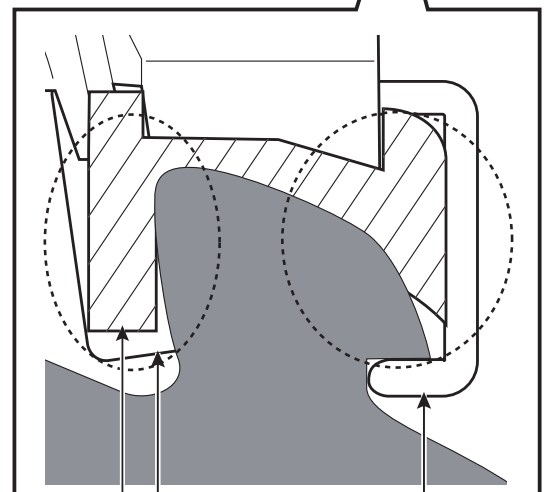
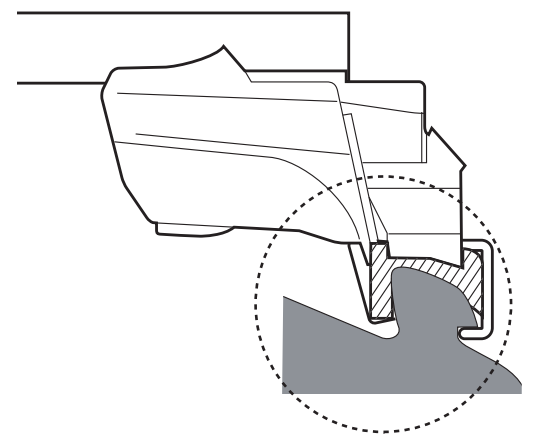
Stay interior dimensions

	Ⓜ	Ⓐ
Front	33 1/8 inch (840 mm)	16 1/2 inch (420 mm)
Rear	33 5/8 inch (802 mm)	15 3/4 inch (401 mm)



If not using the recommended mounting positions, follow the Stay installation instructions.

Detailed installation diagram



Base

Outer hook

Inner hook

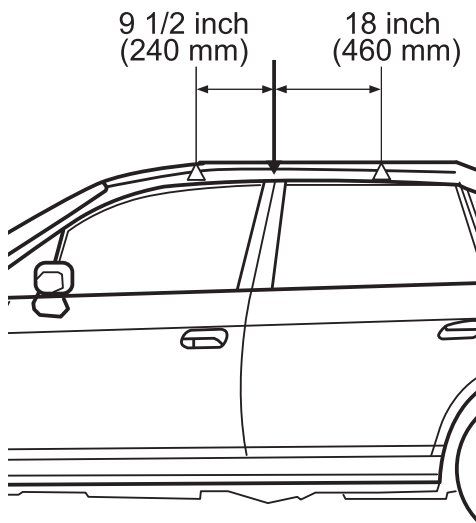
Mounting Method by Vehicle Type

TR138

Manufacturer	Model	Type	Year	Maximum loading capacity
AUDI	Q3	5 door /	2015~	165lbs (75kg)

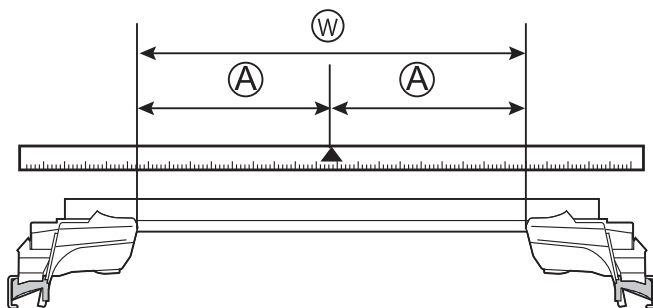
※ Load + Base rack + Attachments

Recommended mounting position



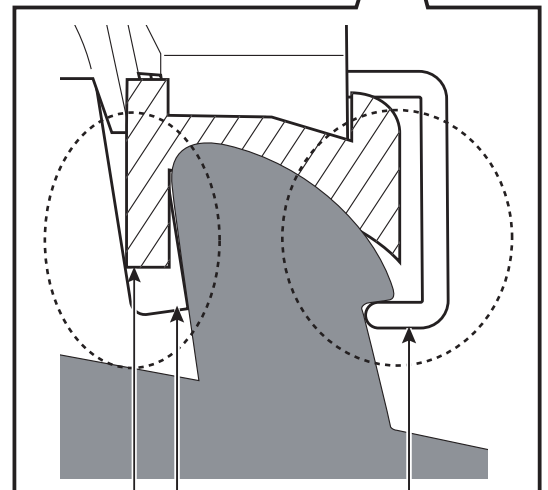
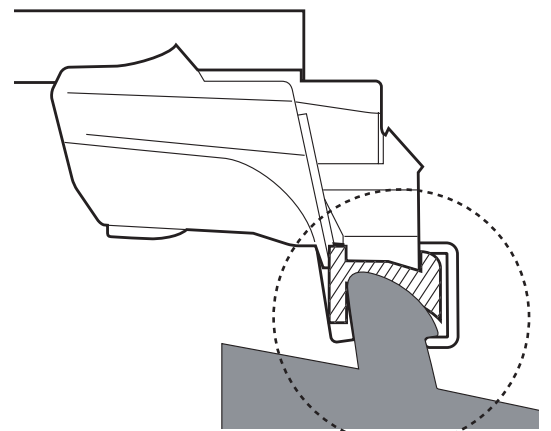
Stay interior dimensions

	Ⓜ	Ⓐ
Front	34 1/8 inch (866 mm)	17 inch (433 mm)
Rear	32 inch (814 mm)	16 inch (407 mm)



If not using the recommended mounting positions, follow the Stay installation instructions.

Detailed installation diagram



Base

Outer hook

Inner hook

4132606TR138A3B-US

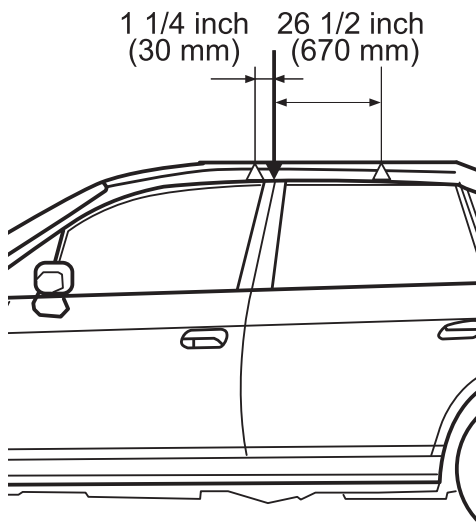
Mounting Method by Vehicle Type

TR138

Manufacturer	Model	Type	Year	Maximum loading capacity
AUDI	Q5	5 door	2009 ~ 2017	165lbs (75kg)

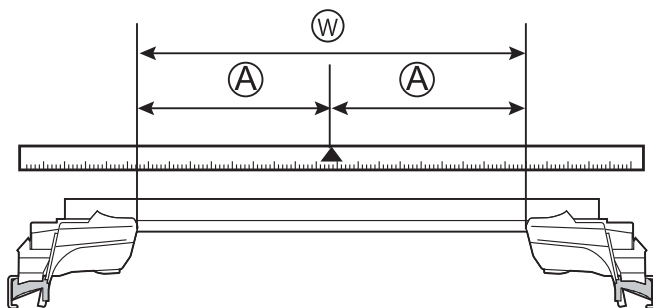
※ Load + Base rack + Attachments

Recommended mounting position



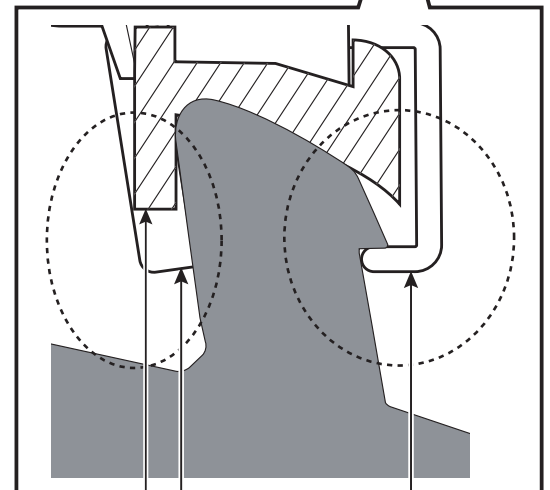
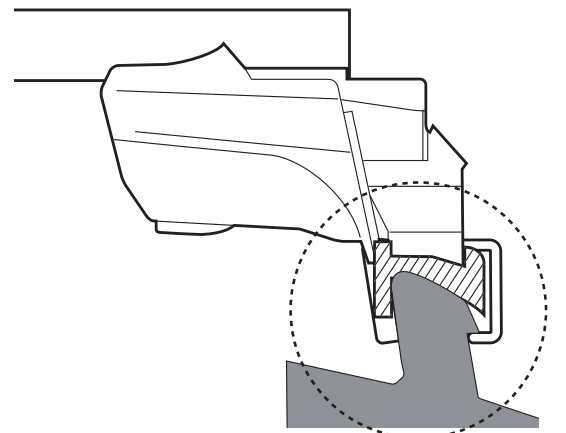
Stay interior dimensions

	Ⓜ	Ⓐ
Front	35 7/8 inch (912 mm)	18 inch (456 mm)
Rear	34 3/4 inch (884 mm)	17 3/8 inch (442 mm)



If not using the recommended mounting positions, follow the Stay installation instructions.

Detailed installation diagram



Base

Outer hook

Inner hook

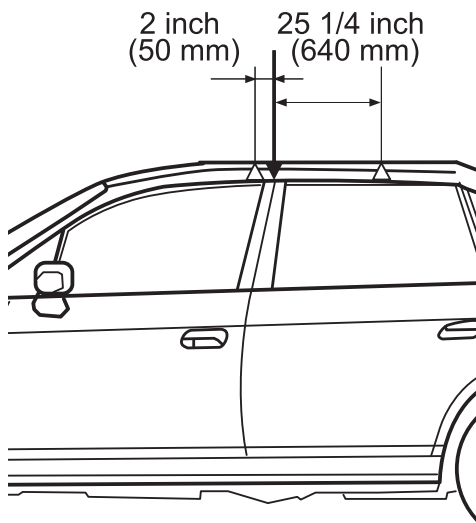
Mounting Method by Vehicle Type

TR138

Manufacturer	Model	Type	Year	Maximum loading capacity
AUDI	Q5	5 door / 5 portes / 5 puertas	2018 ~	165lbs (75kg)

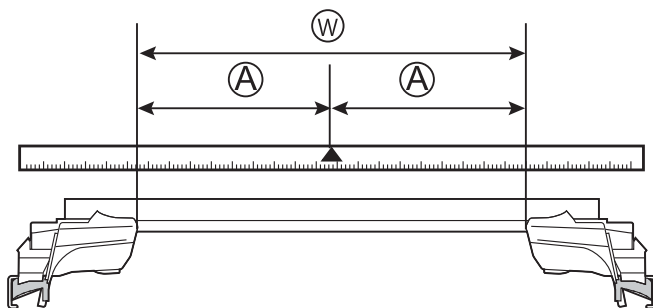
※ Load + Base rack + Attachments

Recommended mounting position



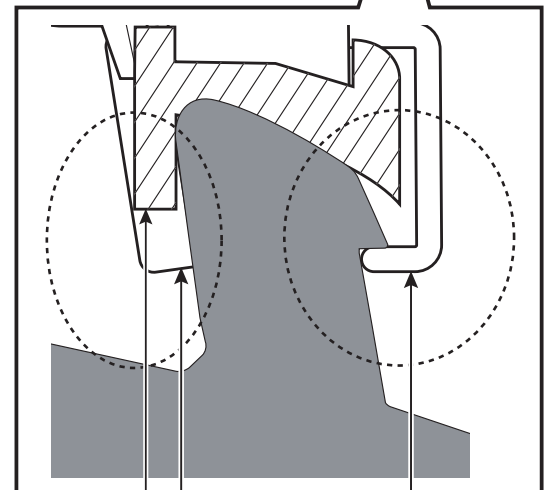
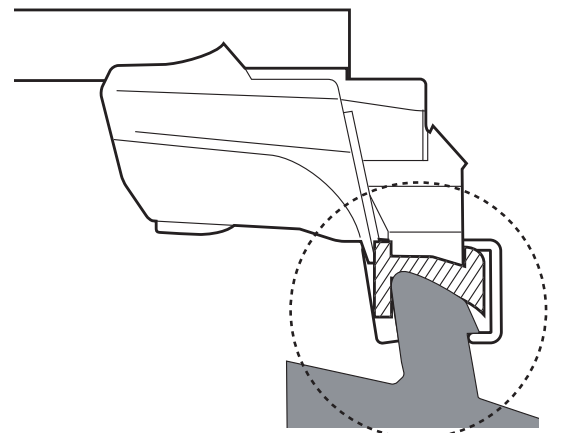
Stay interior dimensions

	p	
	Ⓜ	Ⓐ
Front	34 5/8 inch (880 mm)	17 3/8 inch (440 mm)
Rear	32 5/8 inch (830 mm)	16 3/8 inch (415 mm)



If not using the recommended mounting positions, follow the Stay installation instructions.

Detailed installation diagram



Base

Outer hook

Inner hook