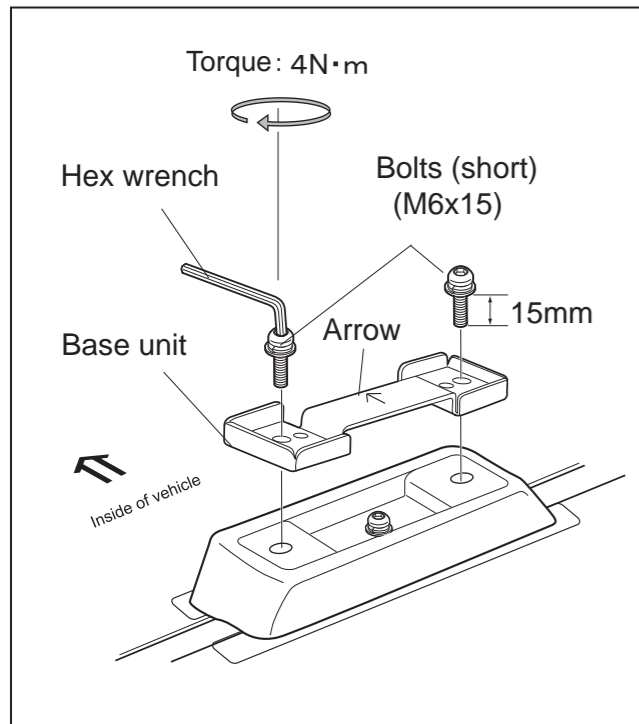


Installing INXR



1 Place the base unit on the installed cushion base/base bracket, and using the Hex wrench, tighten alternately the right and left bolts (short) [M6 x 15] supplied with the carrier until the bolts are firmly tightened. The base unit must be placed as the arrow on the unit faces toward the vehicle center.

Installation Instructions

Before using the Mounting hooks, carefully read the installation instructions as well as the installation instructions for basic carrier systems, and follow all usage instructions. After reading the installation instructions, keep it in a safe place along with the installation instructions for basic carrier systems. If you are to give the mounting hooks to a third person, provide the installation instructions to ensure safe installation and usage.

WARNING

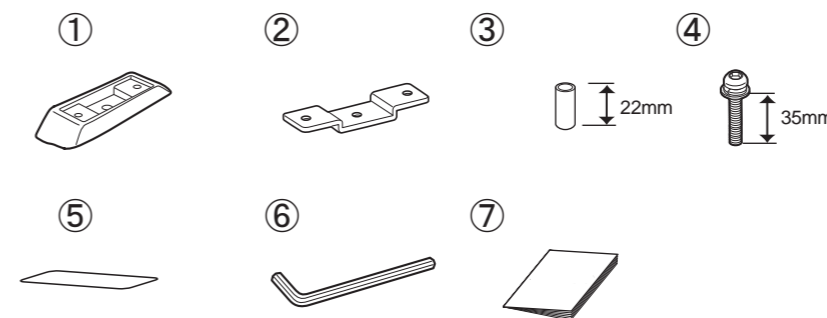
Install hooks correctly at specified positions according to the installation instructions herein and the installation instructions for the applicable carrier system. Installation positions of hooks depend on the vehicle type. If hooks are not installed at specified positions, the carrier may fall and cause accidents.

Do not use these hooks for attachments of non-specified types. The carrier may fall and cause accidents.

Observe the specified loading conditions. Failure to observe the loading condition may cause the carrier to break or loosen and fall, resulting in accidents.

For INNO dedicated ski & snowboard carriers, read the carrier installation instructions to determine proper mounting locations.

The TR Mounting hooks include the parts listed below. Verify that all of these parts are included in the carrier system you have purchased.



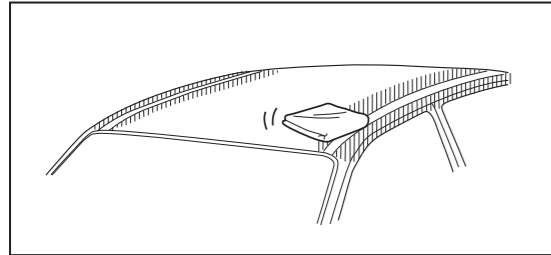
No.	Part	Qty
①	Cushion base 511A	4
②	Base bracket	4
③	Spacer	4
④	Bolt [M6x35mm]	4
⑤	Protection sheet	8
⑥	Hex Wrench	1
⑦	Installation Instructions	1

NOTE

The specifications or external appearance of this product or any of the genuine spare parts may be changed for improvement without prior notification.

Manufacturer	Vehicle model	Vehicle type	Model year	Loading conditions	
				Maximum Load Capacity	Bike
BMW	3 Series	Sedan	2012 -	140 lbs (64 kg) (Load + Base rack + Attachments)	3

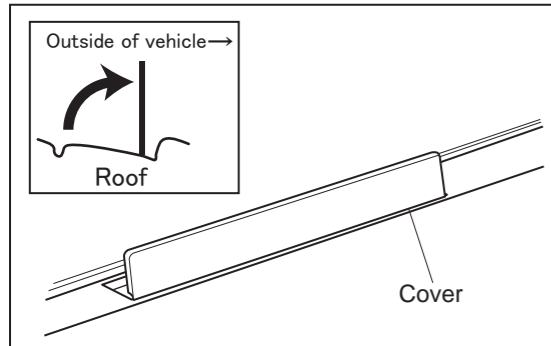
Vehicle preparations



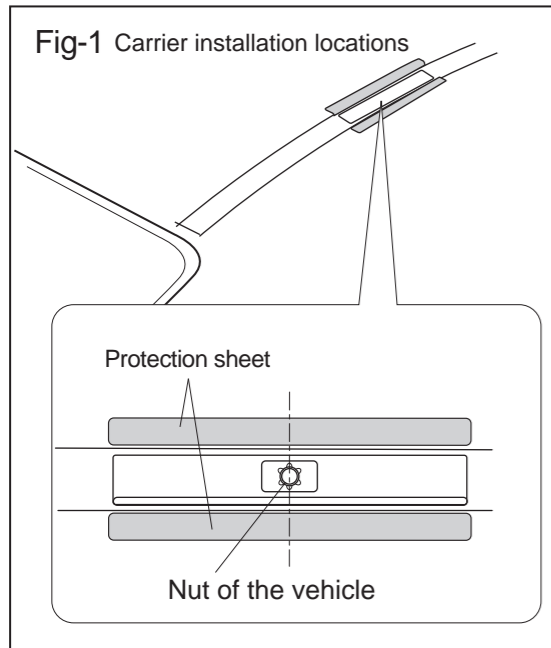
1 Cleaning the installation area on the vehicle
Wipe dirt and oil off the roof and moldings using diluted mild detergent, and then dry the wiped area.
*Shaded area in the figure.

Reference

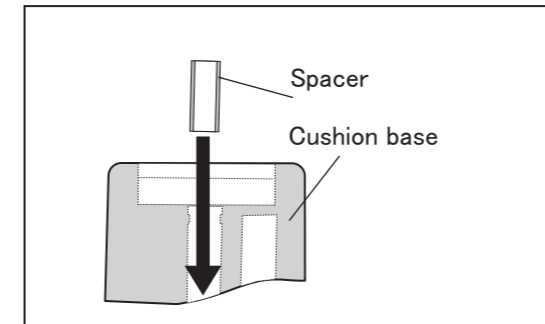
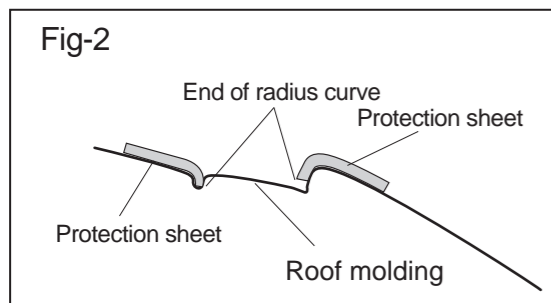
● Do not use organic solvents such as thinner or benzene to clean dirt and oil.



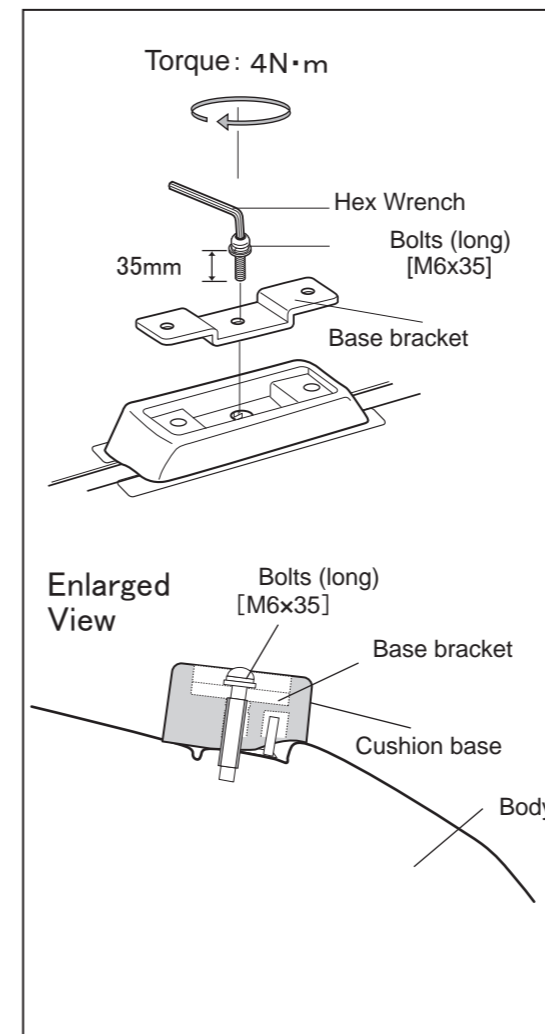
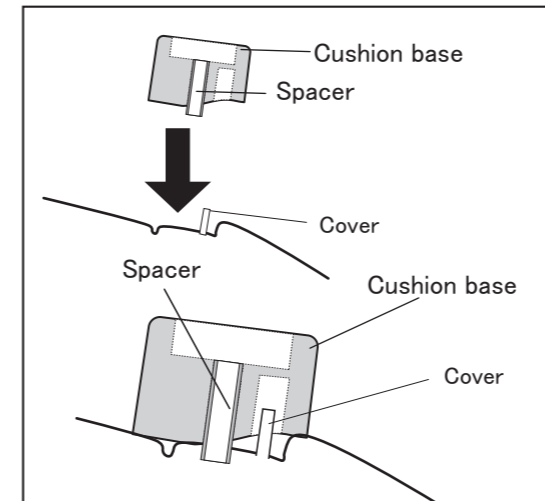
2 Lifting the cover of the carrier installation locations



3 Applying the protection sheets
Apply the protection sheets to the area of roof molding on the roof. Apply each protection sheet aligning its center to the nut on the vehicle as shown in the figure (see Figure-1), and also place one edge of the protection sheet along with the end of radius curve on the roof molding (see Figure-2).



4 Placing the cushion bases
Insert the spacer into the cushion base installation hole. Align the hole with the nut of the vehicle, and place it over the cover on the installation location.



5 Attaching the base brackets
Place the base bracket on the cushion base. Hold them so the cushion base is parallel to the roof molding. Fixate them with the long bolt [M6x35] until the bolt is firmly tightened.

Reference

● All base brackets (4 pcs.) are identical. The bracket is symmetrical with respect to the side-to-side axis; its installation orientation does not matter.