

## Installation Instructions

Before using the Mounting hooks, carefully read this installation instruction as well as the installation instructions for basic carrier systems, and follow all usage instructions. After reading the manual, keep it in a safe place along with the installation instructions for basic carrier systems. If you are to give the mounting hooks to a third person, provide this manual to ensure safe installation and usage.

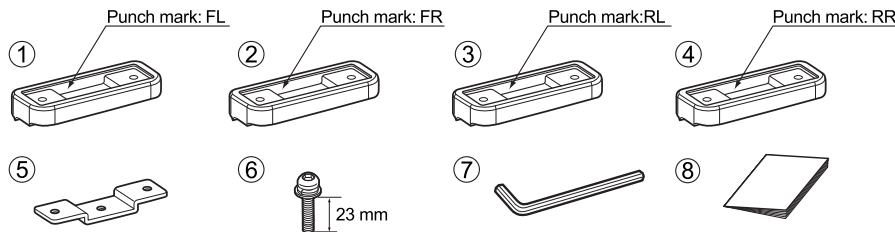
- Read instructions matching the model
- If appropriate instructions are not available

### Precautions

- Install hooks correctly at specified positions according to the instructions herein and instructions for the applicable carrier system. Installation positions of hooks depend on the vehicle type. If hooks are not installed at specified positions, the carrier may fall and cause an accident.
- Do not use these hooks for attachments of non-specified types. The carrier may drop and cause accident.
- Observe the specified loading conditions. Failure to observe the loading condition may cause the carrier to break or loosen and drop, resulting in accident.

For INNO dedicated ski & snowboard carriers read carrier instruction manuals for determining proper mounting locations.

The XR Mounting hooks includes the parts listed below. Verify that all of these parts are included in the carrier system you have purchased.



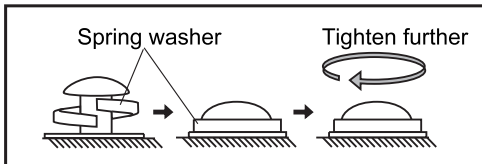
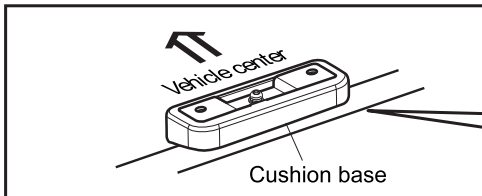
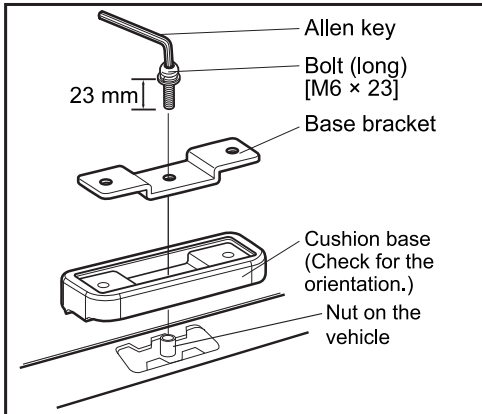
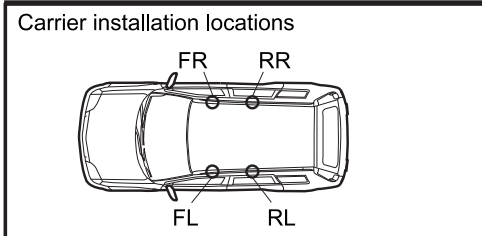
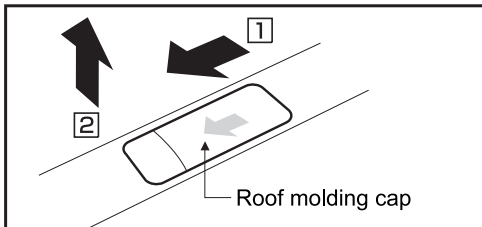
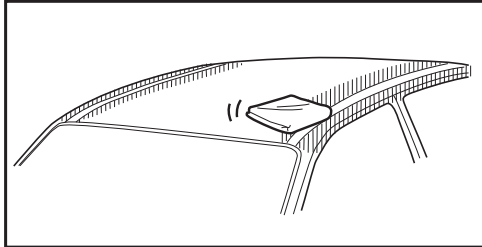
No	Parts	Qty
①	Cushion base FL	1
②	Cushion base FR	1
③	Cushion base RL	1
④	Cushion base RR	1
⑤	Base bracket	4
⑥	Bolt [M6 x 23 mm]	4
⑦	Allen key [B = 4]	1
⑧	Instruction manual	1

#### Note

Installation procedures are described for different models, years and types.  
If your car doesn't match any of the vehicle types listed, refer to the instructions for the applicable carrier.

Manufacturer	Vehicle model	Vehicle type	Model year	Loading conditions	
				Maximum Load Capacity	Bike
MAZDA	Mazda 5		2006 –	140lbs / 64kg ( Load + Base rack + Attachments )	3 bikes

Getting Ready



**1** Cleaning the installation area on the vehicle  
Wipe dirt and oil off the roof and moldings using diluted mild detergent, and then dry the wiped area.  
\*Shaded area in the figure

Reference

Do not use organic solvent such as thinner or benzene to clean dirt and oil.

**2** Removing the caps of the roof molding  
Slide the roof molding cap to the direction 1, and then lift it up to the direction 2.

Reference

Keep the removed roof molding caps in a safe place. They will be reused when the carriers are taken off.

**3** Applying the protection sheets  
Attach the cushion bases to 4 locations on the vehicle where the carriers are to be installed.

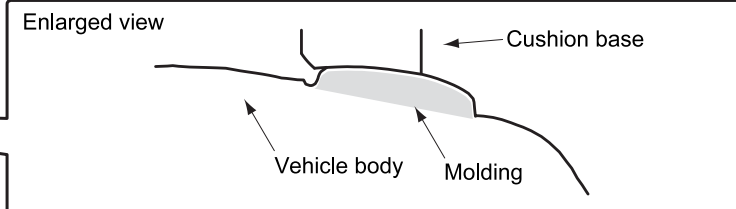
Reference

There are 4 different kinds of cushion bases. Check the punch marks.

**4** Attach them to the nut on the vehicle as shown in the figure. All base brackets (4 pcs.) are identical. The bracket is symmetrical with respect to the side-to-side axis; its installation orientation does not matter.

Caution

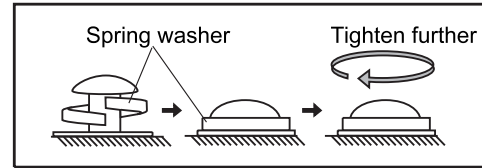
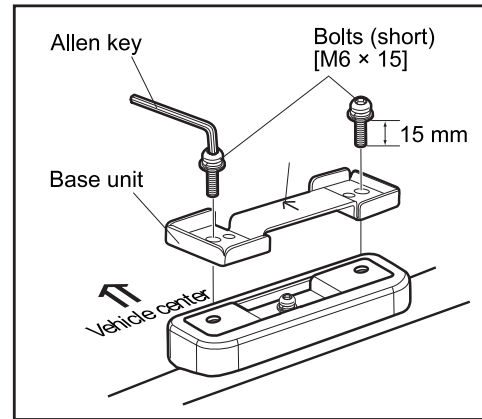
Fix the cushion base parallel to the roof molding.



Caution

Tighten the bolt until the spring washer lies flat. Tighten the bolt with 4 [N·m] (39.2 [kgf·cm]) of torque.

Base unit installation procedure

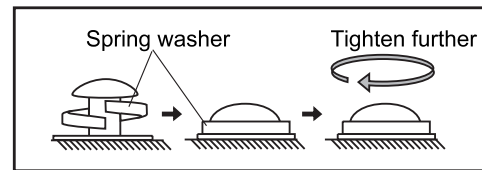
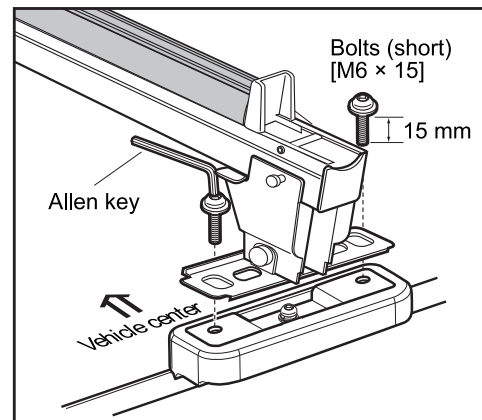


**1** Place the base unit on the installed cushion base/base bracket, and using the Allen key, tighten alternately the right and left bolts (short) [M6 x 15] supplied with the carrier. The base unit must be placed as the arrow on the unit faces toward the vehicle center.

Caution

Tighten the bolt until the spring washer lies flat. Tighten the bolt with 4 [N·m] (39.2 [kgf·cm]) of torque.

Installing Winter Carrier (TX###)



**1** Place the carrier on the installed cushion base/base bracket, and using the Allen key, tighten alternately the right and left bolts (short) [M6 x 15] supplied with the carrier.

Caution

Tighten the bolt until the spring washer lies flat. Tighten the bolt with 4 [N·m] (39.2 [kgf·cm]) of torque.