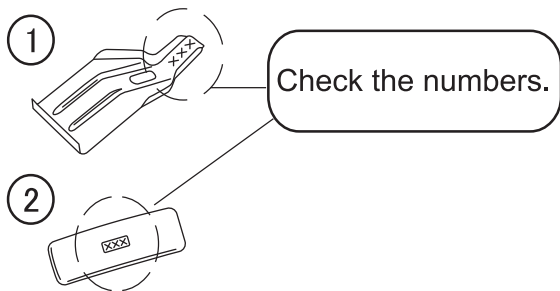


# Installation Instructions

Before using the Mounting hooks, carefully read the installation instructions as well as the installation instructions for basic carrier systems, and follow all usage instructions. After reading the installation instructions, keep it in a safe place along with the installation instructions for basic carrier systems. If you are to give the mounting hooks to a third person, provide the installation instructions to ensure safe installation and usage.

For INNO dedicated ski & snowboard carriers, read the carrier installation instructions to determine proper mounting locations.

The SU Mounting hooks include the parts listed below. Verify that all of these parts are included in the carrier system you have purchased.



No.	Part	# of Part	Qty
1	Hook	128	2
		129	2
2	Base	430	4

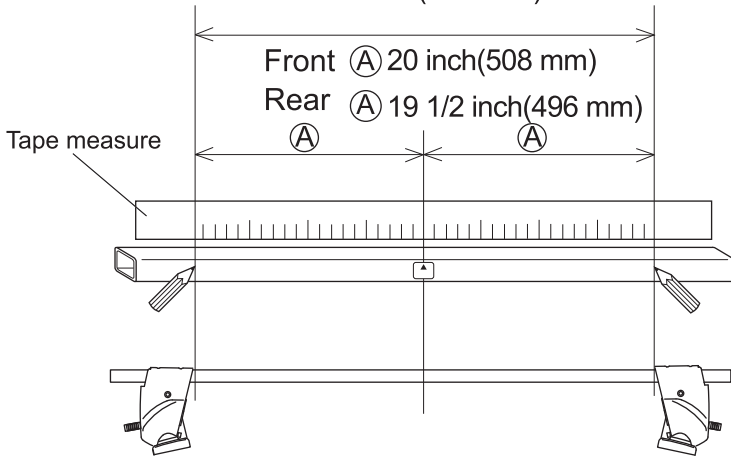
**NOTE**

The specifications or external appearance of this product or any of the genuine spare parts may be changed for improvement without prior notification.

Manufacturer	Model	Type	Year	Maximum loading capacity	Bikes
MAZDA	MAZDA 3	4 door	2010 - 2013	140 lbs ( 64 kg) ( Load + Base rack + Attachments )	3

Maximum loading capacity is 140 lbs(64 kg) for this vehicle type.

Stay interior dimensions  
Front 40 inch(1016 mm)  
Rear 39 inch(992 mm)

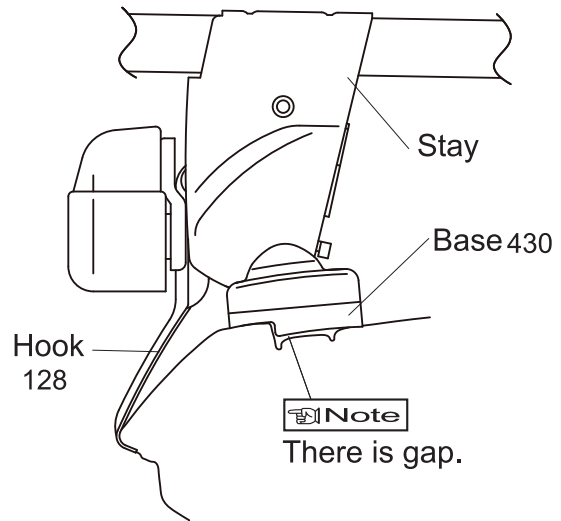


**Loosely attach hooks**

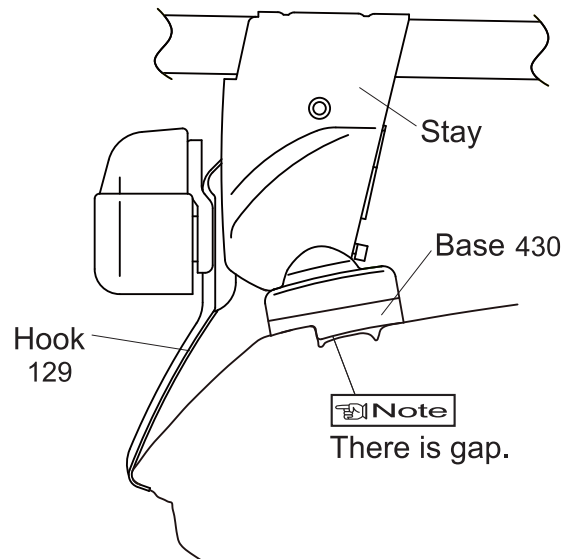
	Hook number
Front hook	128
Rear hook	129

■ Hook / base installation position

**Front**



**Rear**

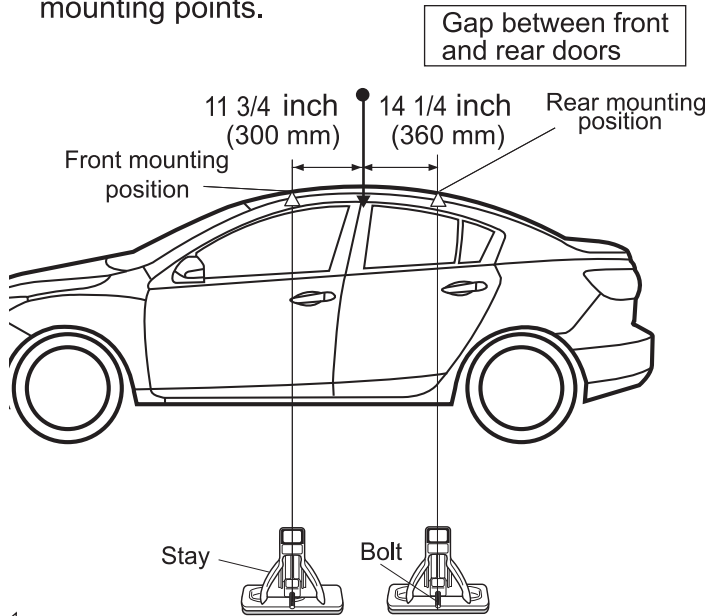


**Install Bases**

	Base number
Front base	430
Rear base	430

**Mounting positions**

● Position the stays so that bolts align at specified mounting points.



**Note**

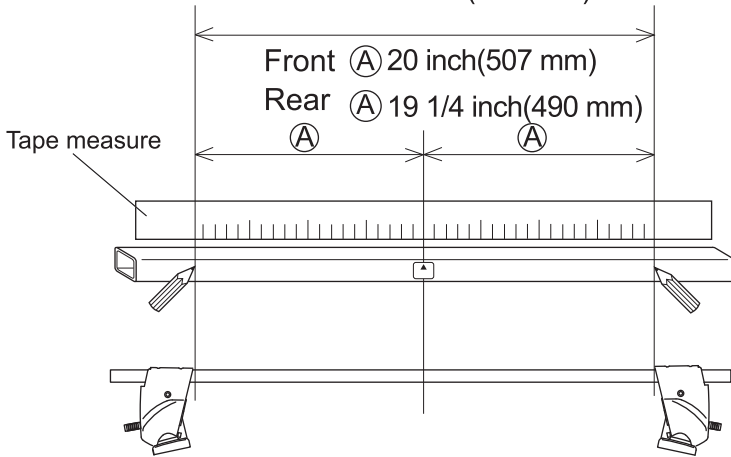
● When knob is tightened, base moves slightly outward to the position illustrated above.

← Front of vehicle

Manufacturer	Model	Type	Year	Maximum loading capacity	Bikes
MAZDA	MAZDA 3	5 door	2010 - 2013	140 lbs ( 64 kg) ( Load + Base rack + Attachments )	3

Maximum loading capacity is 140 lbs(64 kg) for this vehicle type.

Stay interior dimensions  
 Front 39 7/8 inch(1014 mm)  
 Rear 38 5/8 inch(980 mm)

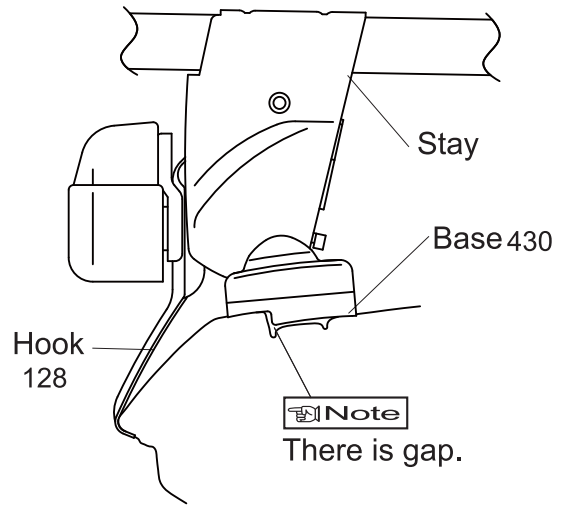


**Loosely attach hooks**

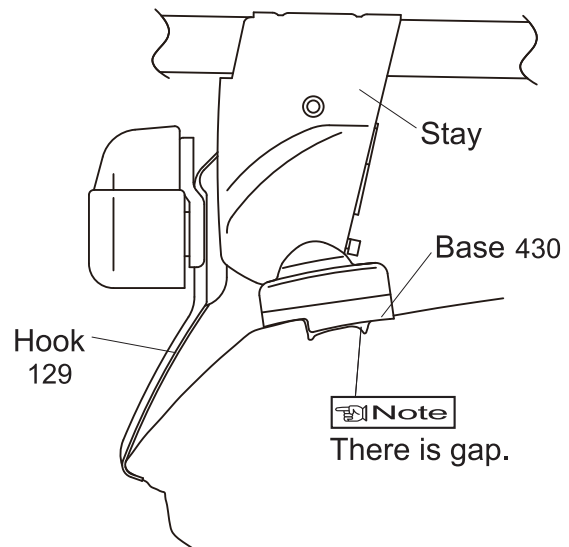
	Hook number
Front hook	128
Rear hook	129

■ Hook / base installation position

**Front**



**Rear**



**Note**

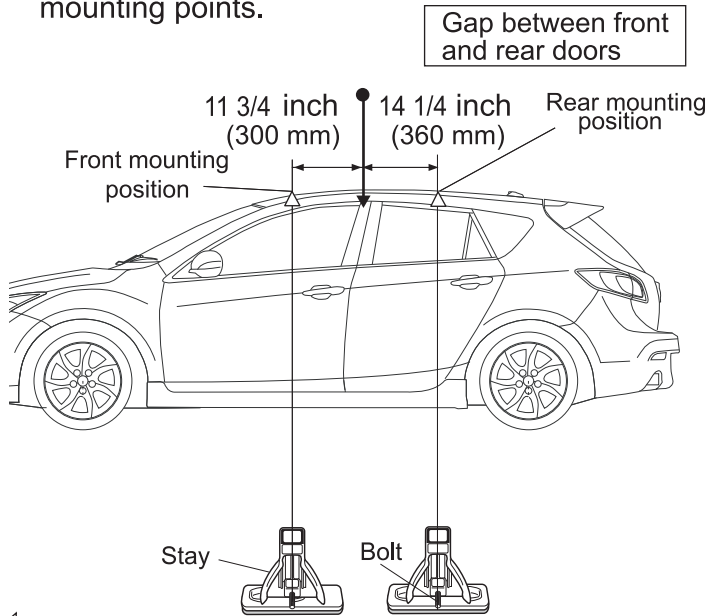
● When knob is tightened, base moves slightly outward to the position illustrated above.

**Install Bases**

	Base number
Front base	430
Rear base	430

**Mounting positions**

● Position the stays so that bolts align at specified mounting points.



← Front of vehicle