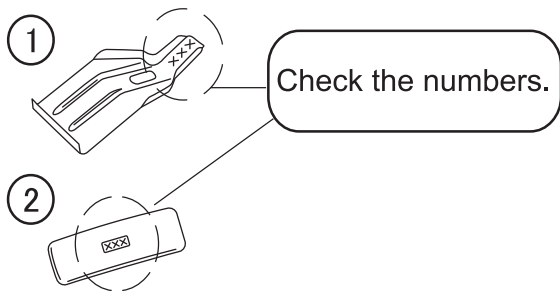


Installation Instructions

Before using the Mounting hooks, carefully read the installation instructions as well as the installation instructions for basic carrier systems, and follow all usage instructions. After reading the installation instructions, keep it in a safe place along with the installation instructions for basic carrier systems. If you are to give the mounting hooks to a third person, provide the installation instructions to ensure safe installation and usage.

For INNO dedicated ski & snowboard carriers, read the carrier installation instructions to determine proper mounting locations.

The SU Mounting hooks include the parts listed below. Verify that all of these parts are included in the carrier system you have purchased.



| No. | Part | # of Part | Qty |
|-----|------|-----------|-----|
| 1 | Hook | 115 | 4 |
| 2 | Base | 427 | 2 |
| | | 411 | 2 |

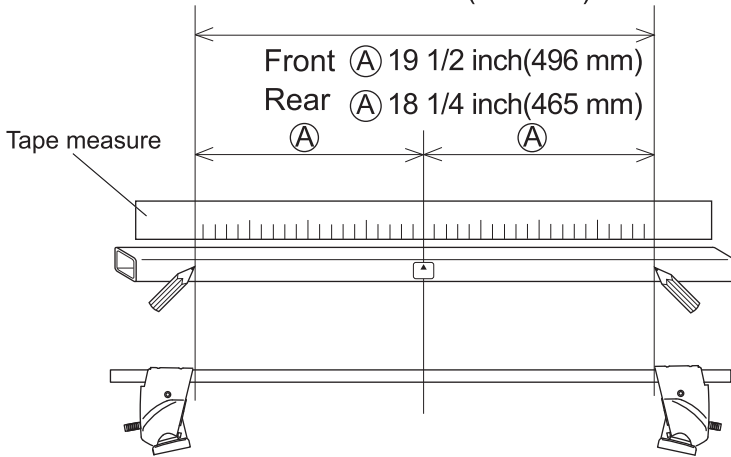
NOTE

The specifications or external appearance of this product or any of the genuine spare parts may be changed for improvement without prior notification.

| Manufacturer | Model | Type | Year | Maximum loading capacity | Bikes |
|--------------|--------|-----------------------|----------------|---------------------------------------|-------|
| HONDA | FIT | 5 door Normal roof | 2009 - 2013 | 120 lbs (55 kg) | 2 |
| | FIT EV | | 2012 - | (Load + Base rack + Attachments) | |

Maximum loading capacity is 120 lbs(55 kg) for this vehicle type.

Stay interior dimensions
 Front 39 inch(992 mm)
 Rear 36 5/8 inch(930 mm)

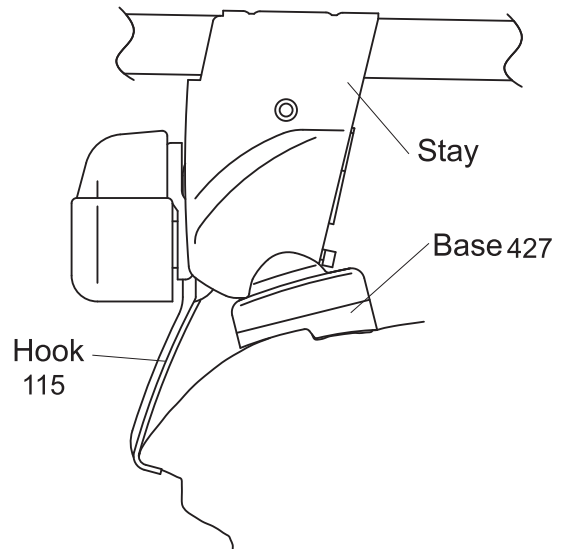


Loosely attach hooks

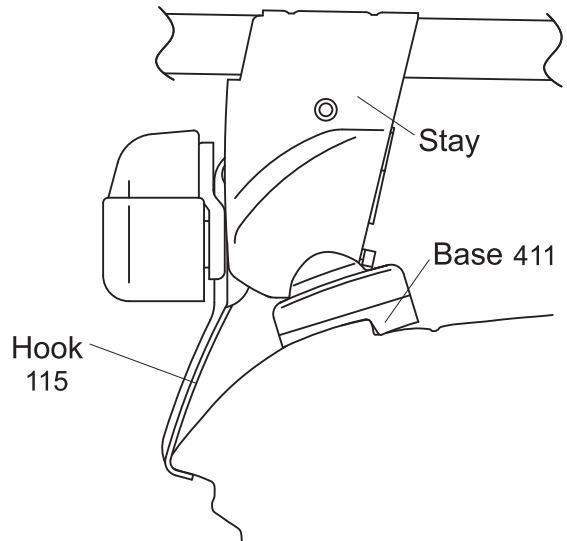
| | Hook number |
|------------|-------------|
| Front hook | 115 |
| Rear hook | 115 |

■ Hook / base installation position

Front



Rear

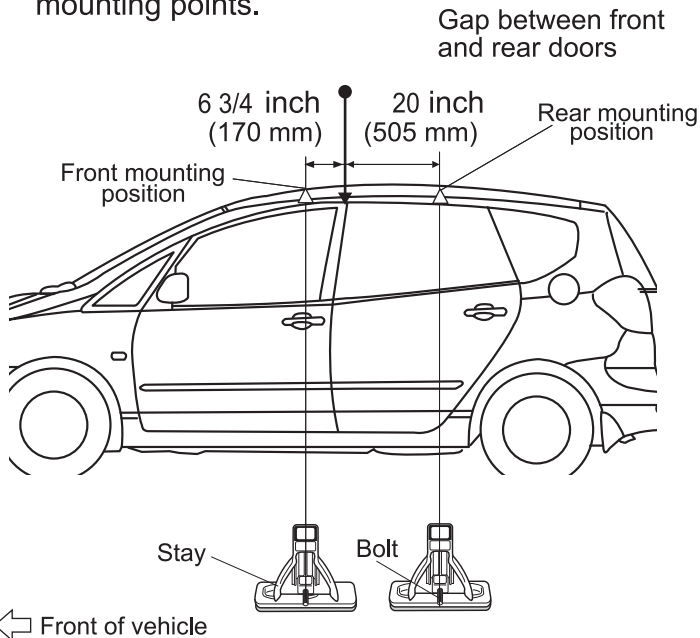


Install Bases

| | Base number |
|------------|-------------|
| Front base | 427 |
| Rear base | 411 |

Mounting positions

- Position the stays so that bolts align at specified mounting points.



Note

- When knob is tightened, base moves slightly outward to the position illustrated above.