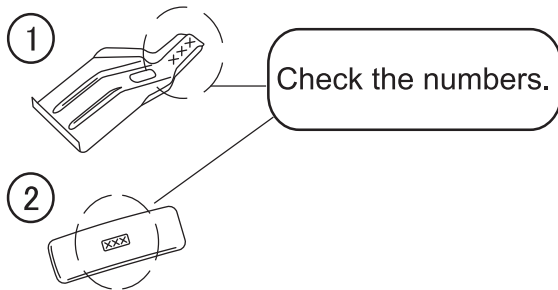


Installation Instructions

Before using the Mounting hooks, carefully read the installation instructions as well as the installation instructions for basic carrier systems, and follow all usage instructions. After reading the installation instructions, keep it in a safe place along with the installation instructions for basic carrier systems. If you are to give the mounting hooks to a third person, provide the installation instructions to ensure safe installation and usage.

For INNO dedicated ski & snowboard carriers, read the carrier installation instructions to determine proper mounting locations.

The SU Mounting hooks include the parts listed below. Verify that all of these parts are included in the carrier system you have purchased.



No.	Part	# of Part	Qty
1	Hook	172	4
2	Base	402	2
		421	2

NOTE

The specifications or external appearance of this product or any of the genuine spare parts may be changed for improvement without prior notification.

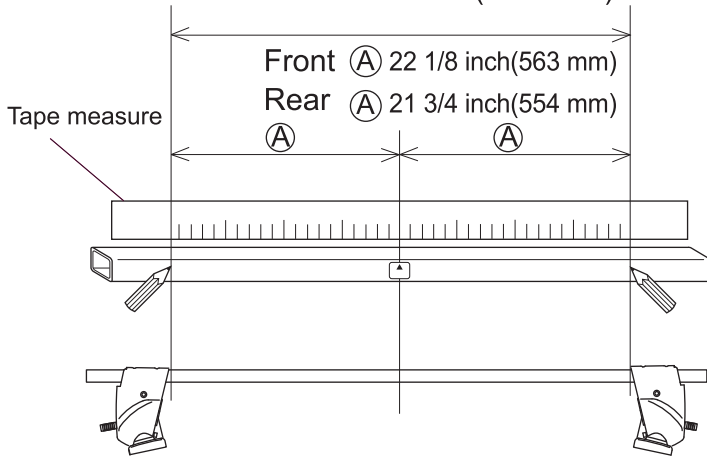
Manufacturer	Model	Type	Year	Maximum loading capacity	Bikes
SUBARU	LEGACY	SEDAN	2010-2014	140 lbs (64 kg) (Load + Base rack + Attachments)	3

Maximum loading capacity is 140lbs (64kg) for this vehicle type.

Stay interior dimensions

Front 44 3/8 inch(1126 mm)

Rear 43 5/8 inch(1108 mm)

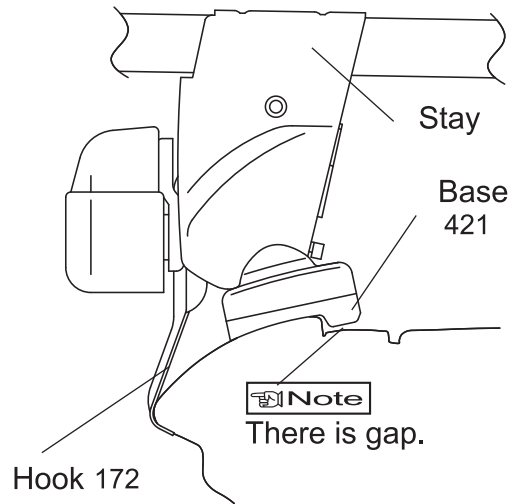


Loosely attach hooks

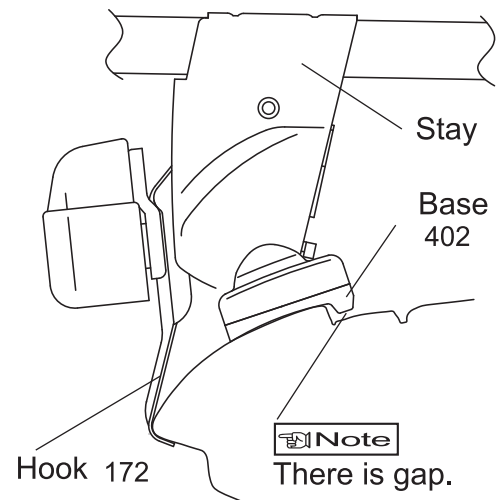
	Hook number
Front hook	172
Rear hook	172

Hook / base installation position

Front



Rear



Note

When knob is tightened, base moves slightly outward to the position illustrated above.

Install Bases

	Base number
Front base	421
Rear base	402

Mounting positions

- Position the stays so that bolts align at specified mounting points.

