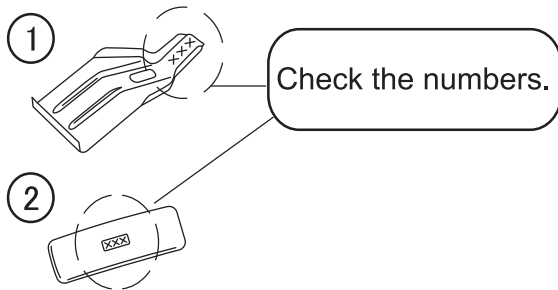


# Installation Instructions

Before using the Mounting hooks, carefully read the installation instructions as well as the installation instructions for basic carrier systems, and follow all usage instructions. After reading the installation instructions, keep it in a safe place along with the installation instructions for basic carrier systems. If you are to give the mounting hooks to a third person, provide the installation instructions to ensure safe installation and usage.

For INNO dedicated ski & snowboard carriers, read the carrier installation instructions to determine proper mounting locations.

The SU Mounting hooks include the parts listed below. Verify that all of these parts are included in the carrier system you have purchased.



No.	Part	# of Part	Qty
1	Hook	174	2
		149	2
2	Base	432	2
		426	2

**NOTE**

The specifications or external appearance of this product or any of the genuine spare parts may be changed for improvement without prior notification.

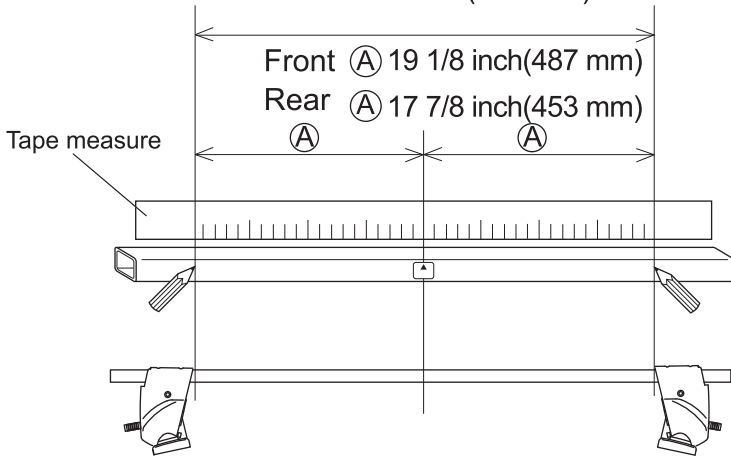
Manufacturer	Model	Type	Year	Maximum loading capacity	Bikes
TOYOTA	YARIS	5 door	2007 - 2011	100 lbs ( 45 kg) ( Load + Base rack + Attachments )	2

Maximum loading capacity is 100 lbs(45 kg) for this vehicle type.

**Stay interior dimensions**

Front 38 3/8 inch(974 mm)

Rear 35 5/8 inch(906 mm)

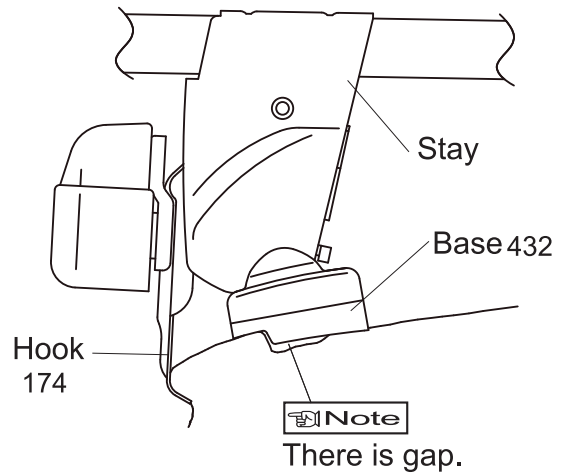


**Loosely attach hooks**

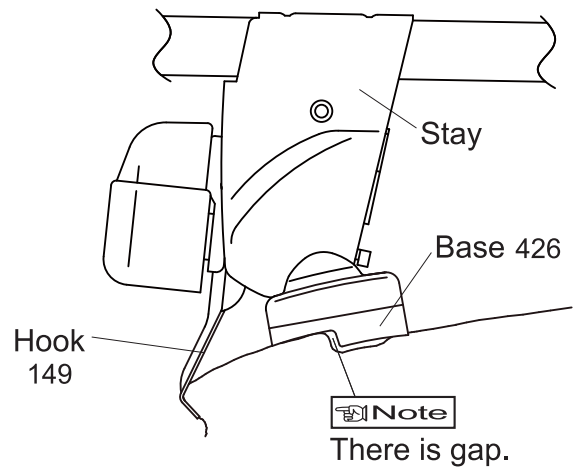
	Hook number
Front hook	174
Rear hook	149

**Hook / base installation position**

**Front**



**Rear**



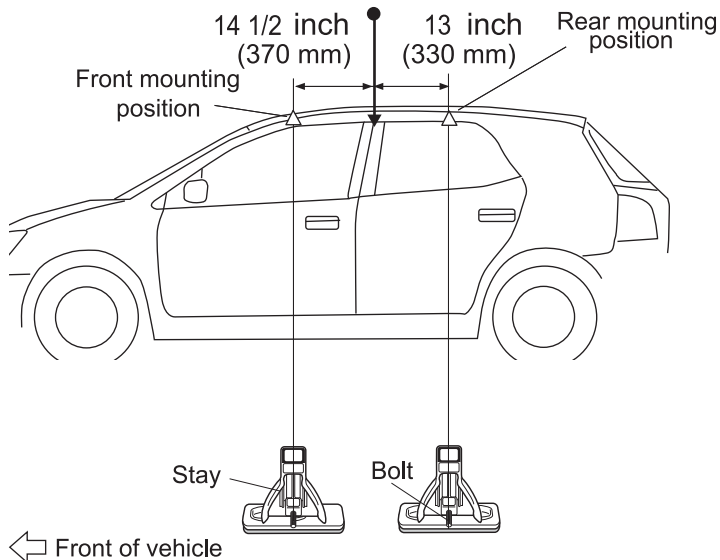
**Install Bases**

	Base number
Front base	432
Rear base	426

**Mounting positions**

- Position the stays so that bolts align at specified mounting points.

Gap between front and rear doors



**Note**

- When knob is tightened, base moves slightly outward to the position illustrated above.