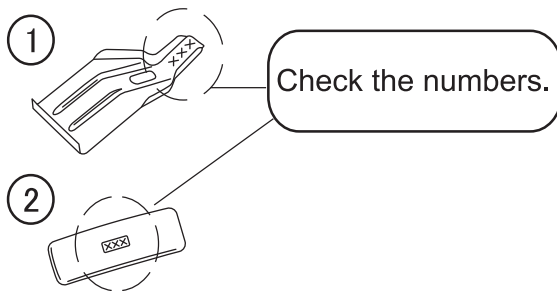


# Installation Instructions

Before using the Mounting hooks, carefully read the installation instructions as well as the installation instructions for basic carrier systems, and follow all usage instructions. After reading the installation instructions, keep it in a safe place along with the installation instructions for basic carrier systems. If you are to give the mounting hooks to a third person, provide the installation instructions to ensure safe installation and usage.

For INNO dedicated ski & snowboard carriers, read the carrier installation instructions to determine proper mounting locations.

The SU Mounting hooks include the parts listed below. Verify that all of these parts are included in the carrier system you have purchased.



No.	Part	# of Part	Qty
1	Hook	124	4
2	Base	425	4

**NOTE**

The specifications or external appearance of this product or any of the genuine spare parts may be changed for improvement without prior notification.

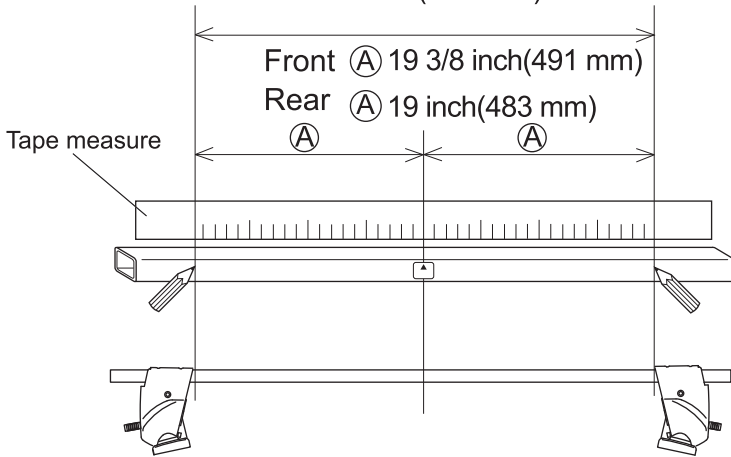
Manufacturer	Model	Type	Year	Maximum loading capacity	Bikes
MAZDA	MAZDA6	4 door	2003 - 2008	140 lbs ( 64 kg)  ( Load + Base rack + Attachments )	3
		5 door			

Maximum loading capacity is 140 lbs(64 kg) for this vehicle type.

**Stay interior dimensions**

Front 38 5/8 inch(982 mm)

Rear 38 inch(966 mm)

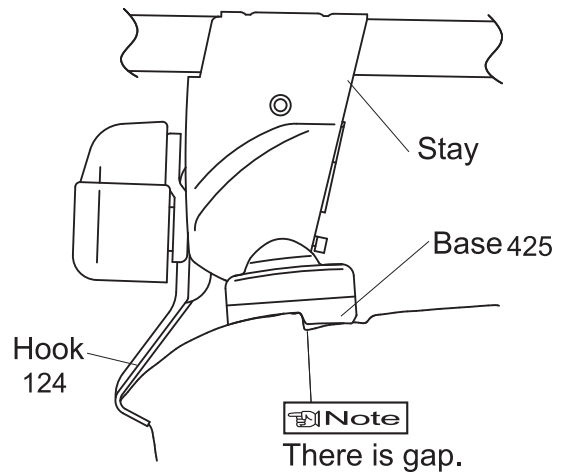


**Loosely attach hooks**

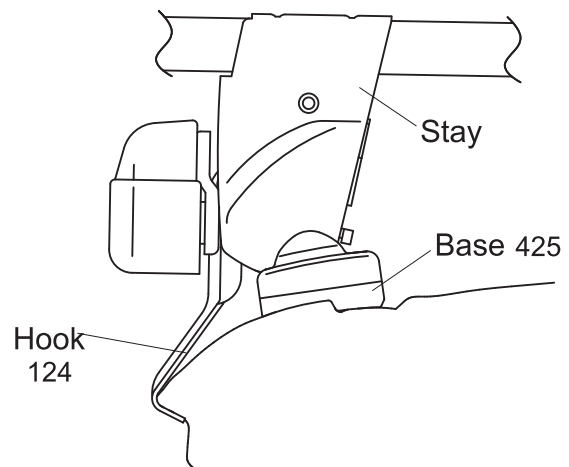
	Hook number
Front hook	124
Rear hook	124

**Hook / base installation position**

**Front**



**Rear**



**Note**

● When knob is tightened, base moves slightly outward to the position illustrated above.

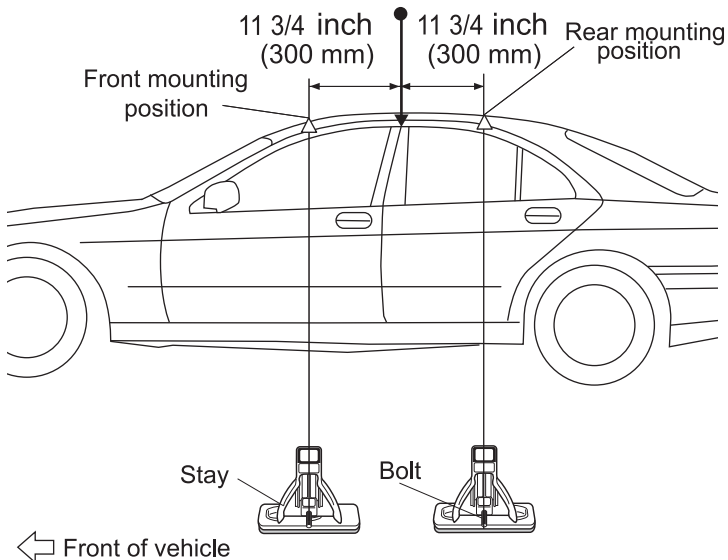
**Install Bases**

	Base number
Front base	425
Rear base	425

**Mounting positions**

● Position the stays so that bolts align at specified mounting points.

Gap between front and rear doors



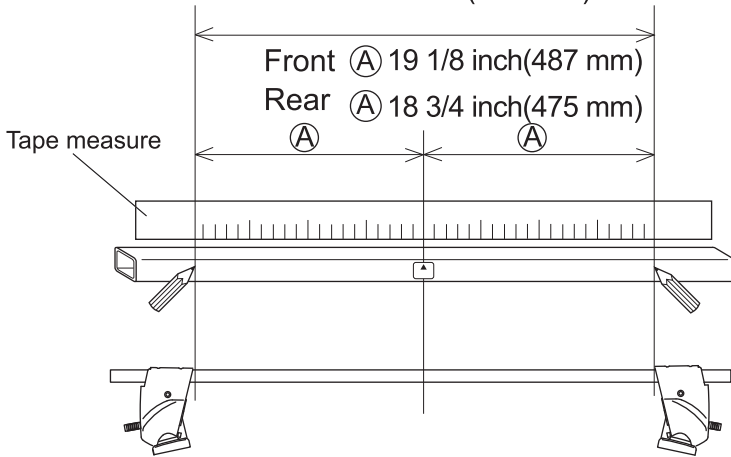
Manufacturer	Model	Type	Year	Maximum loading capacity	Bikes
MAZDA	MAZDA6	Wagon	2003 - 2008	140 lbs ( 64 kg) ( Load + Base rack + Attachments )	3

Maximum loading capacity is 140 lbs(64 kg) for this vehicle type.

**Stay interior dimensions**

Front 38 3/8 inch(974 mm)

Rear 37 3/8 inch(950 mm)

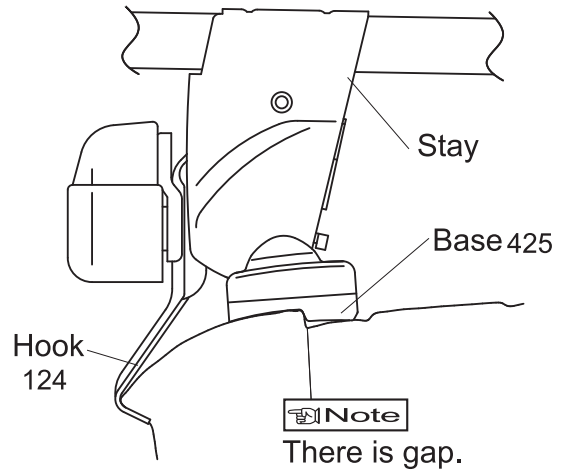


**Loosely attach hooks**

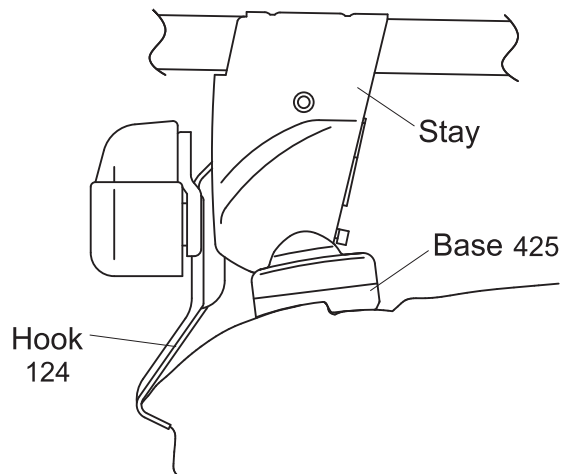
	Hook number
Front hook	124
Rear hook	124

**Hook / base installation position**

**Front**



**Rear**



**Note**

When knob is tightened, base moves slightly outward to the position illustrated above.

**Install Bases**

	Base number
Front base	425
Rear base	425

**Mounting positions**

- Position the stays so that bolts align at specified mounting points.

