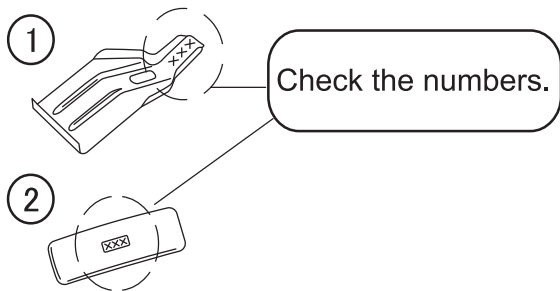


Installation Instructions

Before using the Mounting hooks, carefully read the installation instructions as well as the installation instructions for basic carrier systems, and follow all usage instructions. After reading the installation instructions, keep it in a safe place along with the installation instructions for basic carrier systems. If you are to give the mounting hooks to a third person, provide the installation instructions to ensure safe installation and usage.

For INNO dedicated ski & snowboard carriers, read the carrier installation instructions to determine proper mounting locations.

The SU Mounting hooks include the parts listed below. Verify that all of these parts are included in the carrier system you have purchased.



No.	Part	# of Part	Qty
1	Hook	231	4
2	Base	428	4

NOTE

The specifications or external appearance of this product or any of the genuine spare parts may be changed for improvement without prior notification.

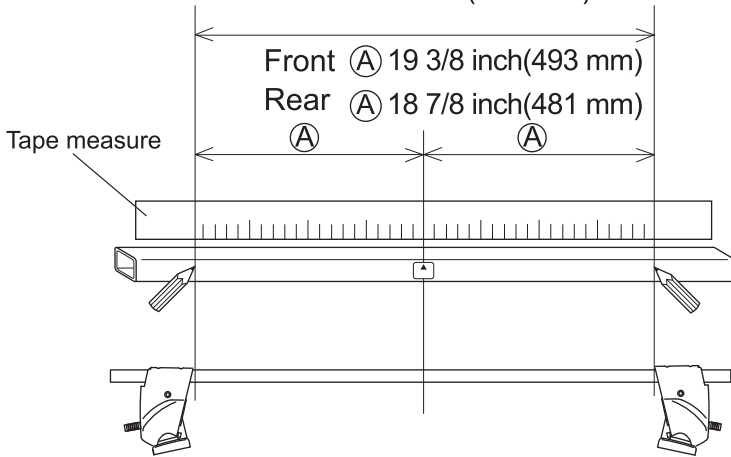
Manufacturer	Model	Type	Year	Maximum loading capacity	Bikes
LEXUS	GS	4 door sedan	1998 - 2005	120 lbs (55 kg) (Load + Base rack + Attachments)	2

Maximum loading capacity is 120 lbs(55 kg) for this vehicle type.

Stay interior dimensions

Front 38 7/8 inch(986 mm)

Rear 37 7/8 inch(962 mm)

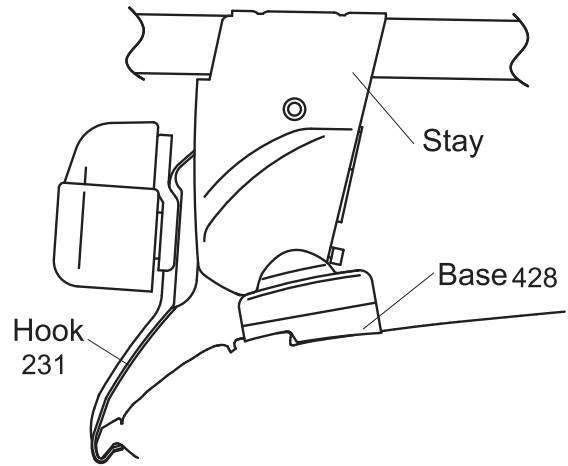


Loosely attach hooks

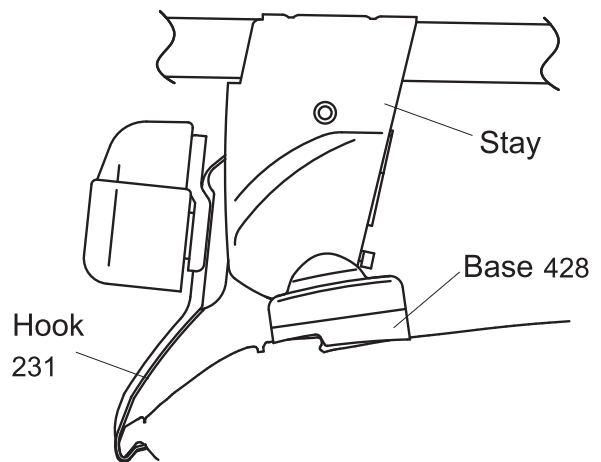
	Hook number
Front hook	231
Rear hook	231

Hook / base installation position

Front



Rear

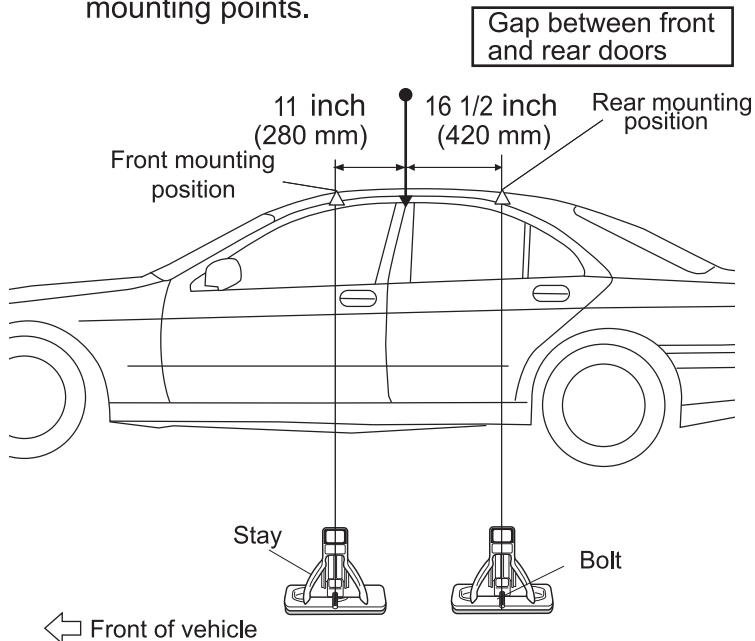


Install Bases

	Base number
Front base	428
Rear base	428

Mounting positions

- Position the stays so that bolts align at specified mounting points.



Note

- When knob is tightened, base moves slightly outward to the position illustrated above.