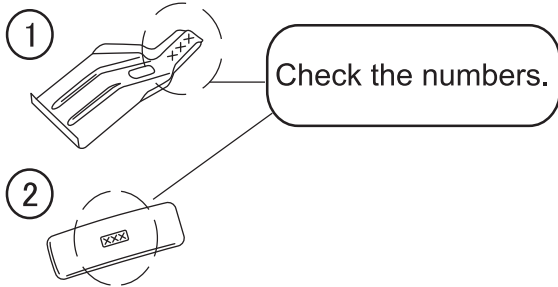


# Installation Instructions

Before using the Mounting hooks, carefully read the installation instructions as well as the installation instructions for basic carrier systems, and follow all usage instructions. After reading the installation instructions, keep it in a safe place along with the installation instructions for basic carrier systems. If you are to give the mounting hooks to a third person, provide the installation instructions to ensure safe installation and usage.

For INNO dedicated ski & snowboard carriers, read the carrier installation instructions to determine proper mounting locations.

The SU Mounting hooks include the parts listed below. Verify that all of these parts are included in the carrier system you have purchased.



No.	Part	# of Part	Qty
1	Hook	138	2
		144	2
2	Base	428	2
		429	2

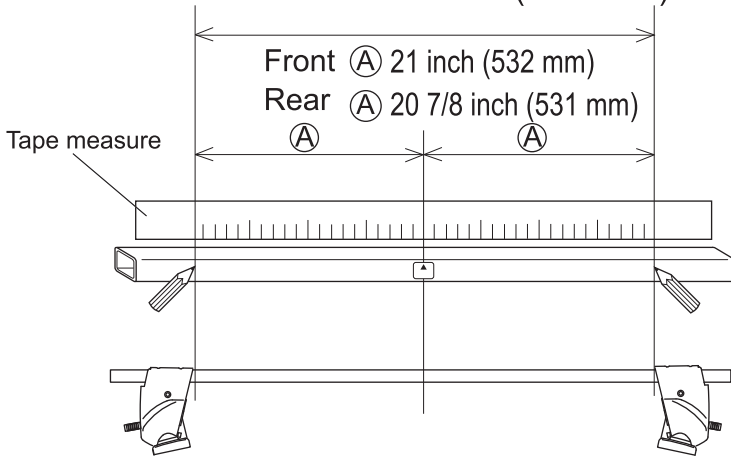
**NOTE**

The specifications or external appearance of this product or any of the genuine spare parts may be changed for improvement without prior notification.

Manufacturer	Model	Type	Year	Maximum loading capacity	Bikes
NISSAN	MAXIMA		2016 -	120 lbs ( 55 kg) ( Load + Base rack + Attachments )	2

Maximum loading capacity is  
120 lbs ( 55 kg) for this vehicle type.

Stay interior dimensions  
Front 41 7/8 inch (1064 mm)  
Rear 41 3/4 inch (1062 mm)

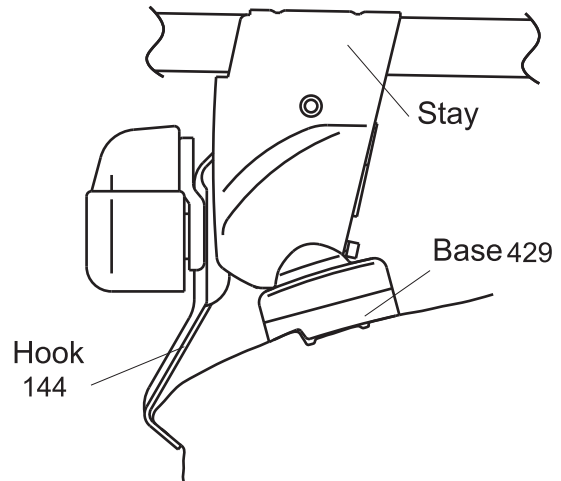


**Loosely attach hooks**

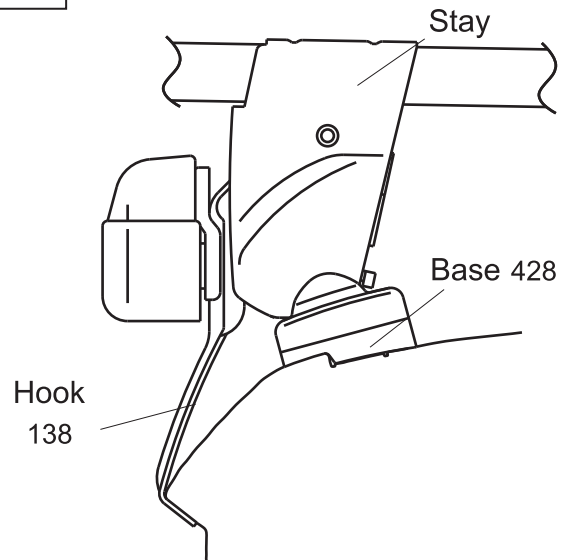
	Hook number
Front hook	144
Rear hook	138

■ Hook / base installation position

**Front**



**Rear**



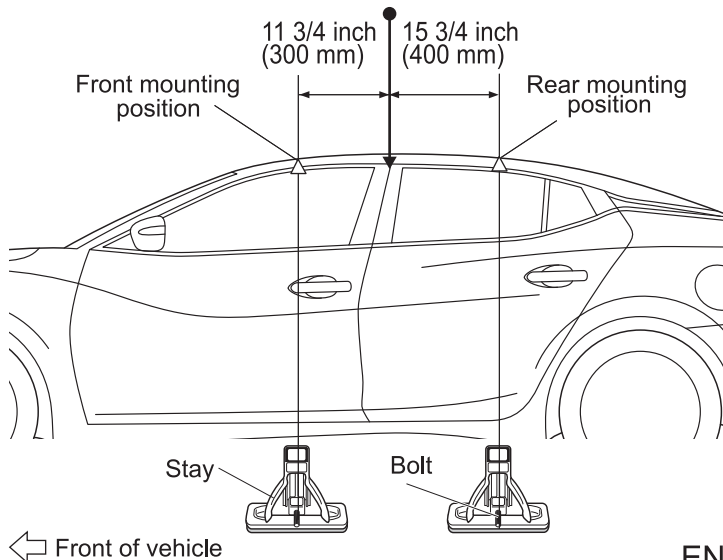
**Install Bases**

	Base number
Front base	429
Rear base	428

**Mounting positions**

● Position the stays so that bolts align at specified mounting points.

Gap between front and rear doors



**Note**

● When knob is tightened, base moves slightly outward to the position illustrated above.