

# SU Fit Hooks K547

## Installation Instructions

Before using the Mounting hooks, carefully read the installation instructions as well as the installation instructions for basic carrier systems, and follow all usage instructions. After reading the installation instructions, keep it in a safe place along with the installation instructions for basic carrier systems. If you are to give the mounting hooks to a third person, provide the installation instructions to ensure safe installation and usage.

### **WARNING**

Install hooks correctly at specified positions according to the installation instructions herein and the installation instructions for the applicable carrier system. Installation positions of hooks depend on the vehicle type. If hooks are not installed at specified positions, the carrier may fall and cause accidents.

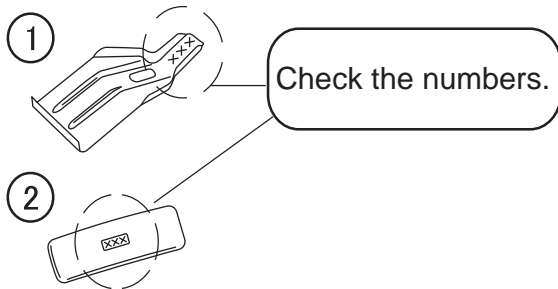
If inappropriate hooks are used, the carrier / attachment may fall and cause accidents. Before driving the vehicle, rock the stays and bars in all directions to ensure that there is no looseness. Retighten any loose knobs or bolts.

Do not use these hooks for attachments of non-specified types. The carrier may fall and cause accidents.

Observe the specified loading conditions. Failure to observe the loading condition may cause the carrier to break or loosen and fall, resulting in accidents.

For INNO dedicated ski & snowboard carriers, read the carrier installation instructions to determine proper mounting locations.

The SU Mounting hooks include the parts listed below. Verify that all of these parts are included in the carrier system you have purchased.



No.	Part	# of Part	Qty
1	Hook	138	2
		145	2
2	Base	401	2
		415	2

**NOTE**

The specifications or external appearance of this product or any of the genuine spare parts may be changed for improvement without prior notification.

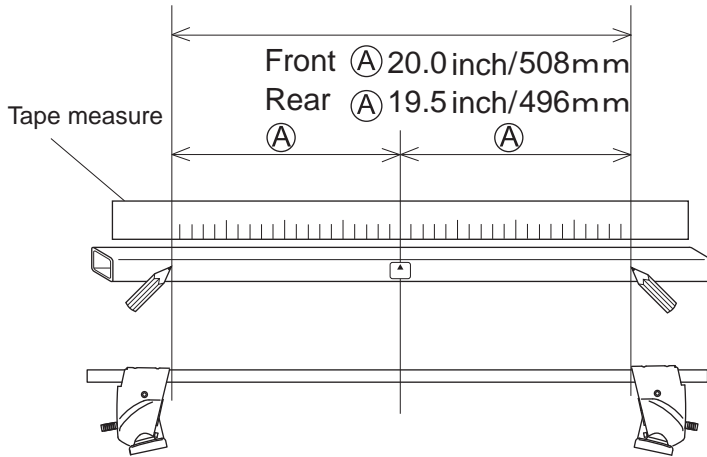
Manufacturer	Model	Type	Year	Maximum loading capacity	Bikes
PONTIAC	G6	4 door	2005 -2009	100 lbs ( 45 kg) ( Load + Base rack + Attachments )	2

Maximum loading capacity is  
45 kg (100 lbs) for this vehicle type.

Stay interior dimensions

Front 40.0 inch/1016 mm

Rear 39.0 inch/ 992 mm

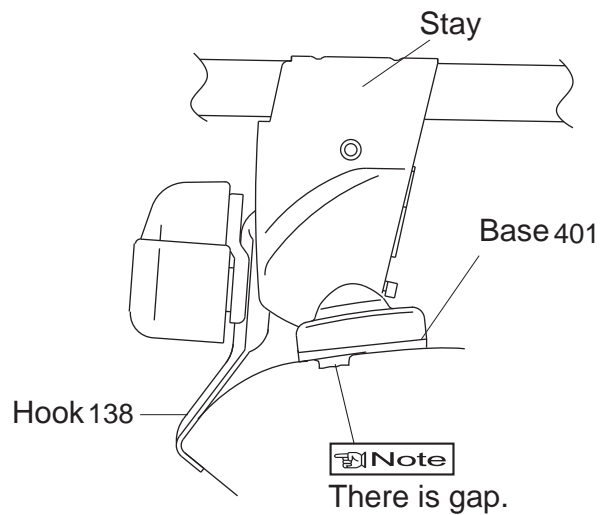


**Loosely attach hooks**

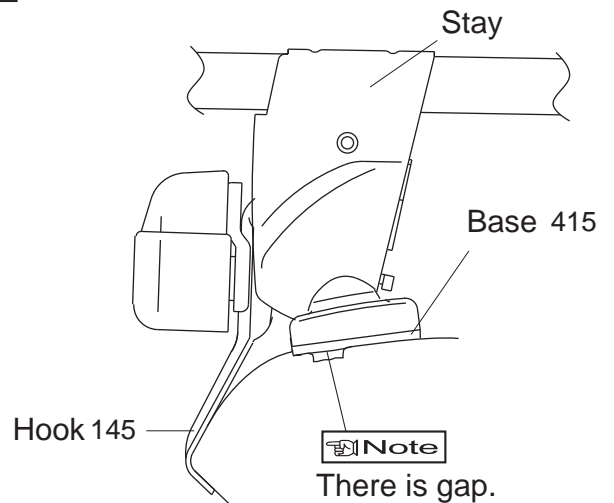
	Hook number
Front hook	138
Rear hook	145

■ Hook / base installation position

Front



Rear



**Note**

● When knob is tightened, base moves slightly outward to the position illustrated above.

**Install Bases**

	Base number
Front base	401
Rear base	415

**Mounting positions**

● Position the stays so that bolts align at specified mounting points.

Gap between front and rear doors

