

Installation Instructions

Before using the Mounting hooks, carefully read the installation instructions as well as the installation instructions for basic carrier systems, and follow all usage instructions. After reading the installation instructions, keep it in a safe place along with the installation instructions for basic carrier systems. If you are to give the mounting hooks to a third person, provide the installation instructions to ensure safe installation and usage. If you have any questions regarding the installation instructions, contact our customer service listed below.

WARNING

Install hooks correctly at specified positions according to the installation instructions herein and the installation instructions for the applicable carrier system. Installation positions of hooks depend on the vehicle type. If hooks are not installed at specified positions, the carrier may fall and cause accidents. If the installation instructions appropriate for your vehicle type are not available, contact our customer service listed below.

Select hooks matching your vehicle by referring to the Fit Guide available at stores or on our website

If inappropriate hooks are used, the carrier / attachment may fall and cause accidents.

Before driving the vehicle, rock the stays and bars in all directions to ensure that there is no looseness. Retighten any loose knobs or bolts.

Do not use these hooks for attachments of non-specified types.

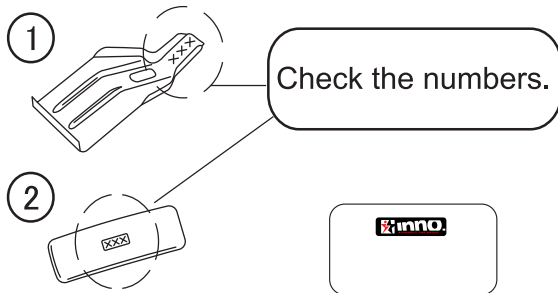
The carrier may fall and cause accidents.

Observe the specified loading conditions.

Failure to observe the loading condition may cause the carrier to break or loosen and fall, resulting in accidents.

For INNO dedicated ski & snowboard carriers, read the carrier installation instructions to determine proper mounting locations.

The SU Mounting hooks include the parts listed below. Verify that all of these parts are included in the carrier system you have purchased. In the event any of these parts are missing, contact our customer service listed below.



No.	Part	# of Part	Qty
1	Hook	134	2
		138	2
2	Base	401	4
3	Hook Installer		1

NOTE

The specifications or external appearance of this product or any of the genuine spare parts may be changed for improvement without prior notification.

K456

Mounting Method by Vehicle Type

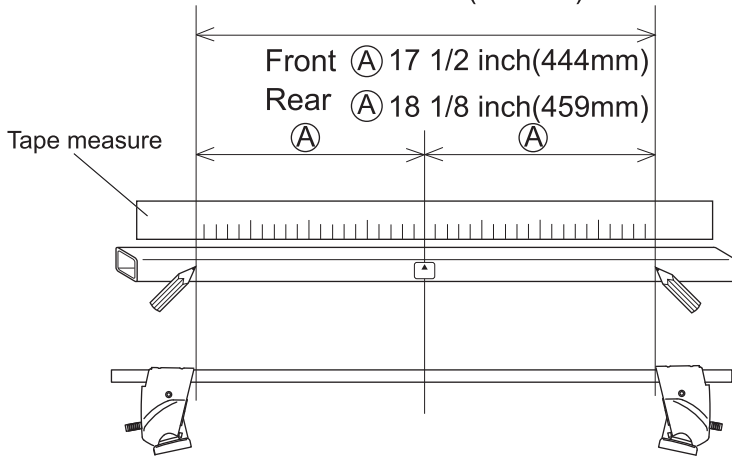
Manufacturer	Model	Type	Year	Maximum loading capacity	Bikes
MINI	MINI	2 door	2007 - 2013	100 lbs (45 kg) (Load + Base rack + Attachments)	2

Maximum loading capacity is 100lbs(45kg) for this vehicle type.

Stay interior dimensions

Front 35 inch(888mm)

Rear 36 1/8 inch(918mm)



Loosely attach hooks

	Hook number
Front hook	134
Rear hook	138

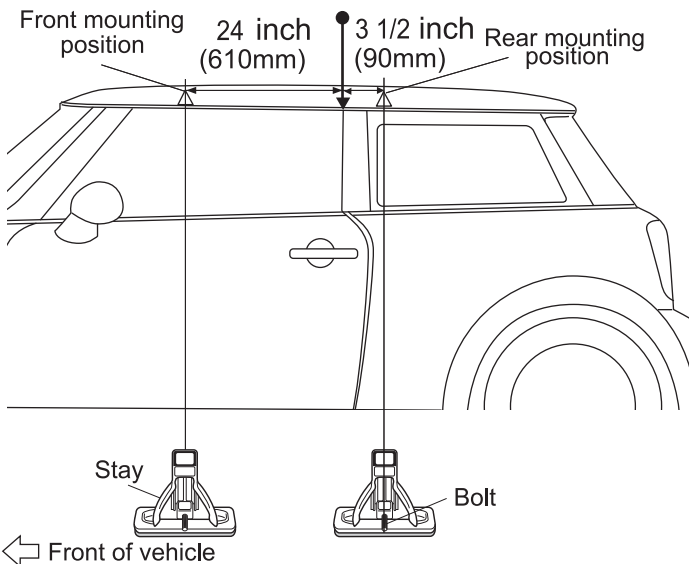
Install Bases

	Base number
Front base	401
Rear base	401

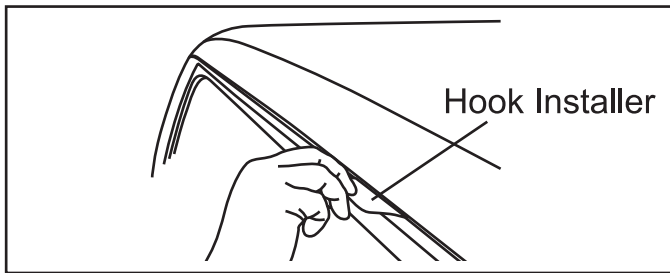
Mounting positions

- Position the stays so that bolts align at specified mounting points.

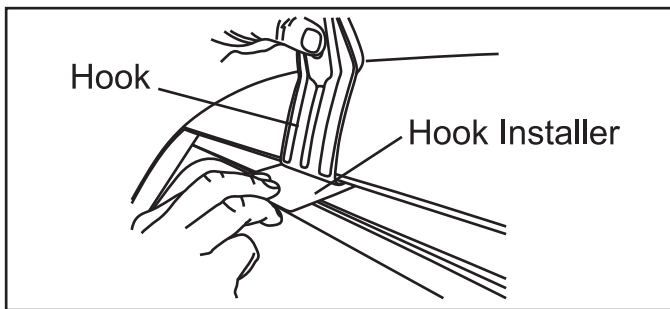
Gap between front and rear doors



1 Insert the hook installer between the roof and plastic molding at the mounting position.

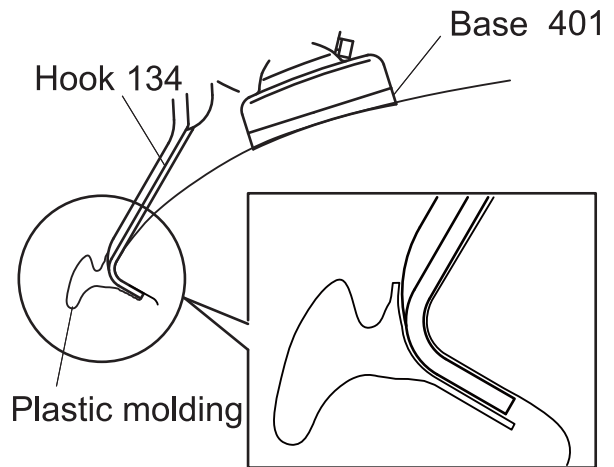


2 Insert the hook into the gap between the hook installer and roof and then remove the hook installer.

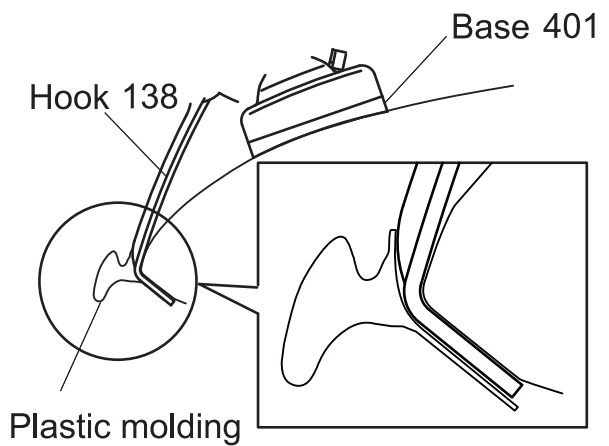


■ Hook / base installation position

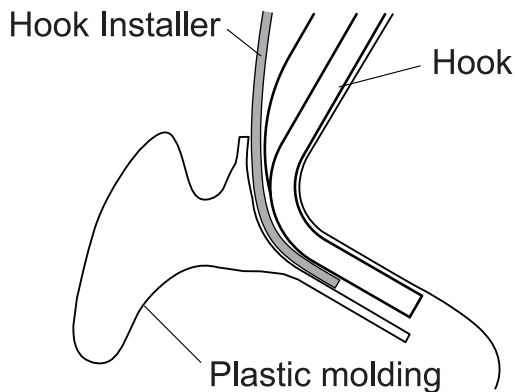
Front



Rear



Hook / Hook installer insertion position



Note

● When knob is tightened, base moves slightly outward to the position illustrated above.