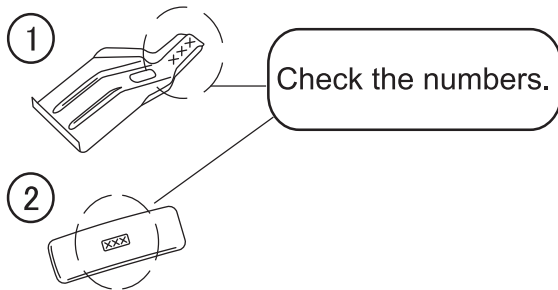


# Installation Instructions

Before using the Mounting hooks, carefully read the installation instructions as well as the installation instructions for basic carrier systems, and follow all usage instructions. After reading the installation instructions, keep it in a safe place along with the installation instructions for basic carrier systems. If you are to give the mounting hooks to a third person, provide the installation instructions to ensure safe installation and usage.

For INNO dedicated ski & snowboard carriers, read the carrier installation instructions to determine proper mounting locations.

The SU Mounting hooks include the parts listed below. Verify that all of these parts are included in the carrier system you have purchased.



No.	Part	# of Part	Qty
1	Hook	173	4
2	Base	418	4

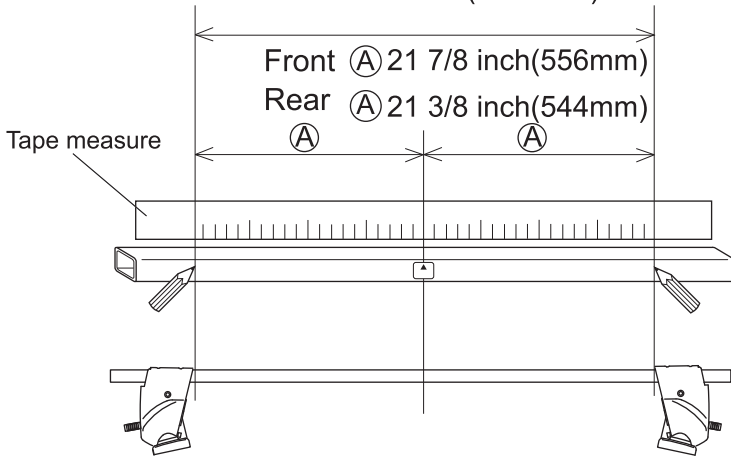
**NOTE**

The specifications or external appearance of this product or any of the genuine spare parts may be changed for improvement without prior notification.

Manufacturer	Model	Type	Year	Maximum loading capacity	Bikes
SUBARU	LEGACY	4 door	2015 -	120 lbs ( 55 kg) ( Load + Base rack + Attachments )	2

● Do not load items over 98 inches in length.  
Maximum loading capacity is 120lbs(55kg) for this vehicle type.

Stay interior dimensions  
Front 43 3/4 inch(1112mm)  
Rear 42 7/8 inch(1088mm)

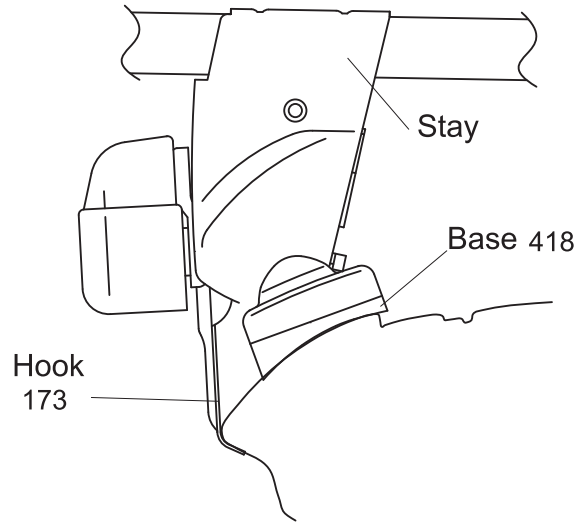


**Loosely attach hooks**

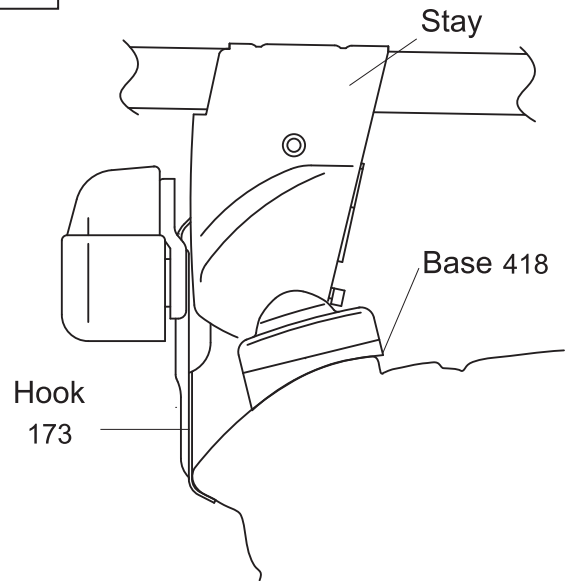
	Hook number
Front hook	173
Rear hook	173

■ Hook / base installation position

**Front**



**Rear**



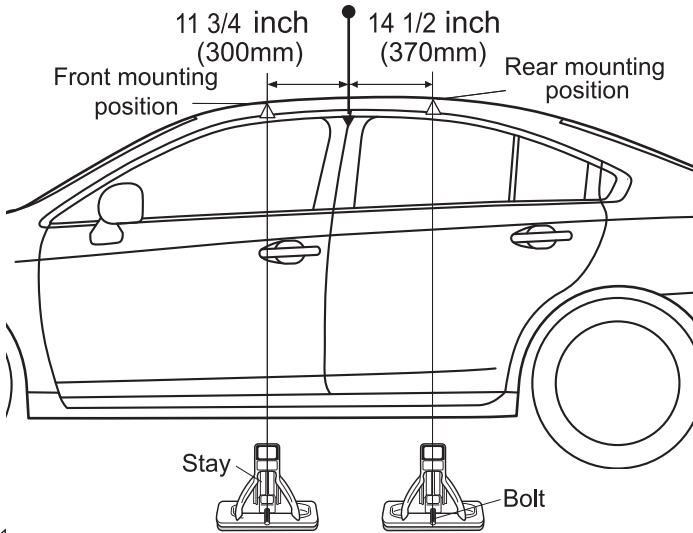
**Install Bases**

	Base number
Front base	418
Rear base	418

**Mounting positions**

● Position the stays so that bolts align at specified mounting points.

Gap between front and rear doors



**Note**

● When knob is tightened, base moves slightly outward to the position illustrated above.

← Front of vehicle