

# SU Fit Hooks K297

## Installation Instructions

Before using the Mounting hooks, carefully read the installation instructions as well as the installation instructions for basic carrier systems, and follow all usage instructions. After reading the installation instructions, keep it in a safe place along with the installation instructions for basic carrier systems. If you are to give the mounting hooks to a third person, provide the installation instructions to ensure safe installation and usage.

### **WARNING**

Install hooks correctly at specified positions according to the installation instructions herein and the installation instructions for the applicable carrier system. Installation positions of hooks depend on the vehicle type. If hooks are not installed at specified positions, the carrier may fall and cause accidents.

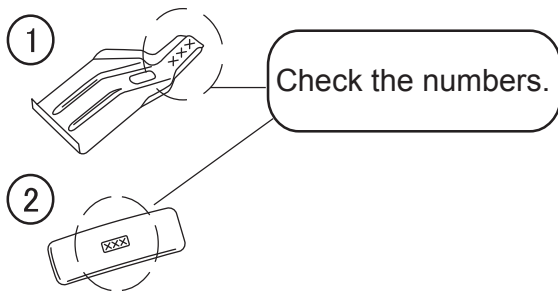
If inappropriate hooks are used, the carrier / attachment may fall and cause accidents. Before driving the vehicle, rock the stays and bars in all directions to ensure that there is no looseness. Retighten any loose knobs or bolts.

Do not use these hooks for attachments of non-specified types. The carrier may fall and cause accidents.

Observe the specified loading conditions. Failure to observe the loading condition may cause the carrier to break or loosen and fall, resulting in accidents.

For INNO dedicated ski & snowboard carriers, read the carrier installation instructions to determine proper mounting locations.

The SU Mounting hooks include the parts listed below. Verify that all of these parts are included in the carrier system you have purchased.



No.	Part	# of Part	Qty
1	Hook	136	4
2	Base	402	2
		411	2

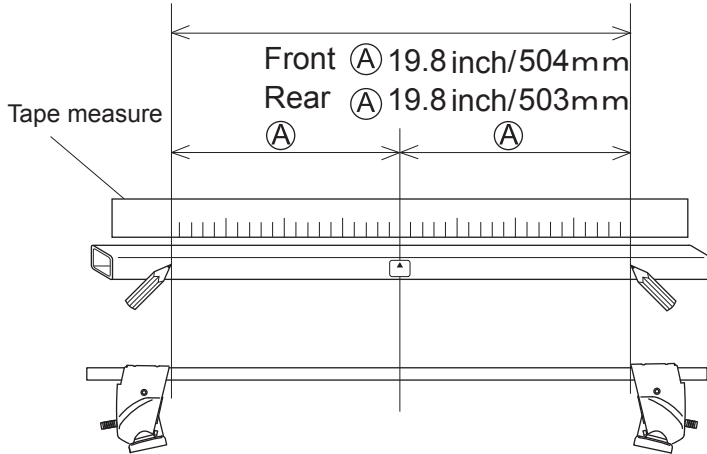
 **NOTE**

The specifications or external appearance of this product or any of the genuine spare parts may be changed for improvement without prior notification.

Manufacturer	Model	Type	Year	Maximum loading capacity	Bikes
LEXUS	IS	4 door	2006-2013	120 lbs ( 55 kg) ( Load + Base rack + Attachments )	2

Maximum loading capacity is 55 kg (120 lbs) for this vehicle type.

Stay interior dimensions  
 Front 39.6 inch/1008 mm  
 Rear 39.6 inch/1006 mm

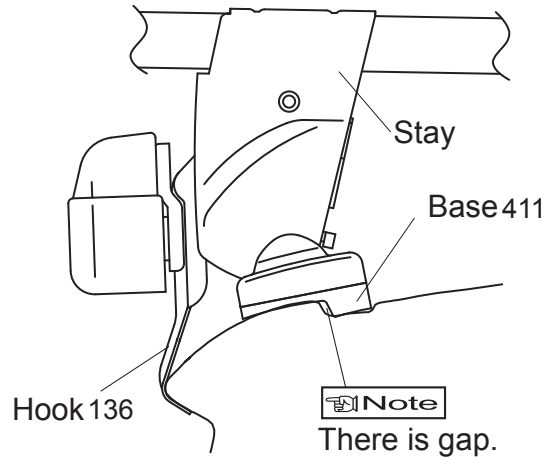


Loosely attach hooks

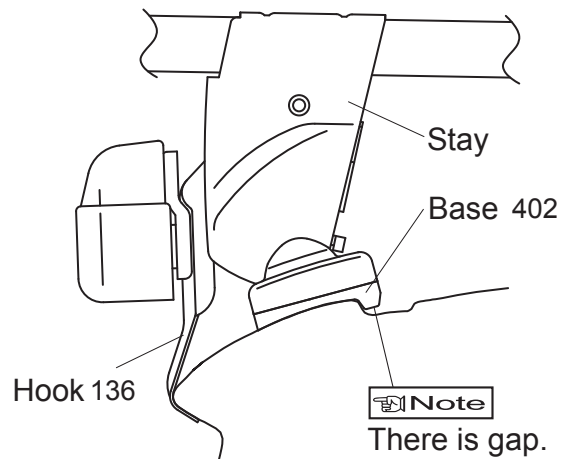
	Hook number
Front hook	136
Rear hook	136

■ Hook / base installation position

Front



Rear



Note

● When knob is tightened, base moves slightly outward to the position illustrated above.

Install Bases

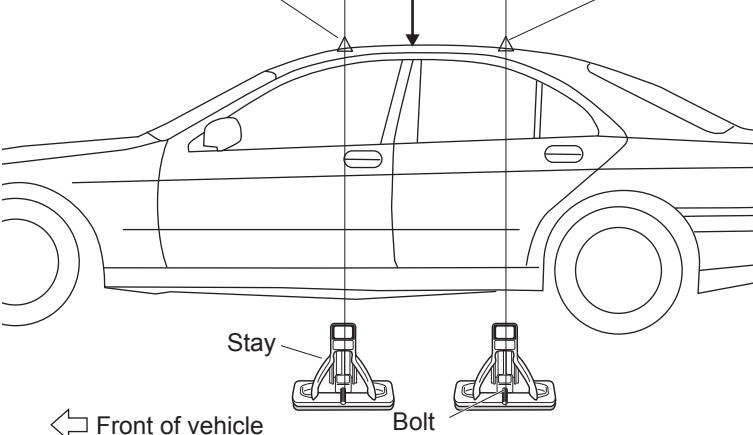
	Base number
Front base	411
Rear base	402

Mounting positions

● Position the stays so that bolts align at specified mounting points.

Gap between front and rear doors

10.6 inch 270 mm  
 15.7 inch 400 mm  
 Front mounting position  
 Rear mounting position



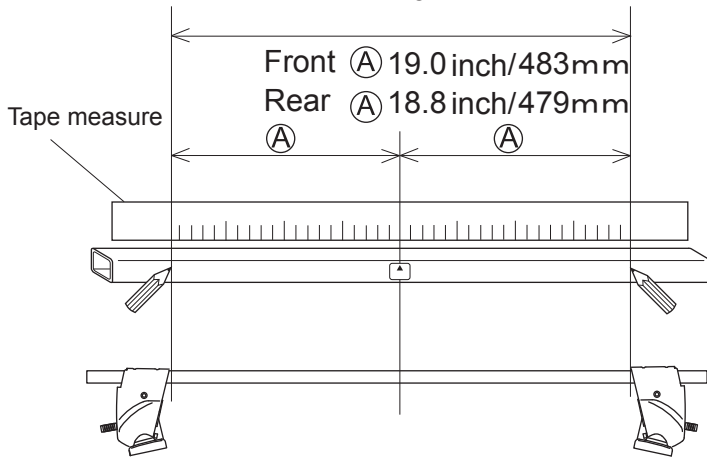
Manufacturer	Model	Type	Year	Maximum loading capacity	Bikes
TOYOTA	YARIS	4 door	2007-2011	140 lbs ( 64 kg) ( Load + Base rack + Attachments )	3

Maximum loading capacity is 64 kg (140 lbs) for this vehicle type.

Stay interior dimensions

Front 38.0inch/ 966 mm

Rear 37.7inch/ 958 mm

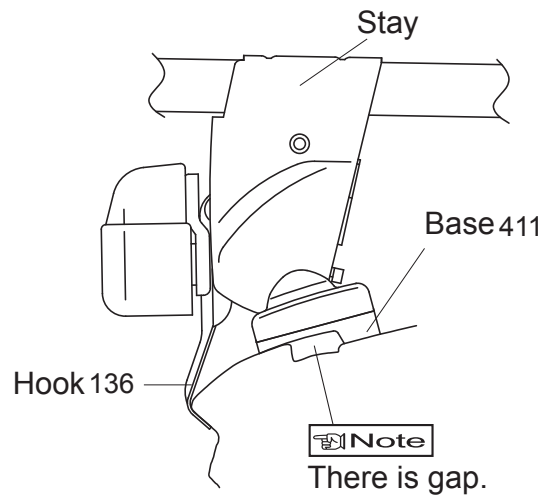


Loosely attach hooks

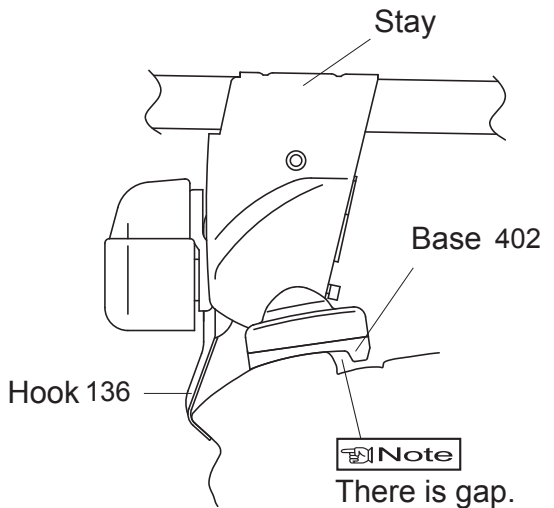
	Hook number
Front hook	136
Rear hook	136

Hook / base installation position

Front



Rear



Note

When knob is tightened, base moves slightly outward to the position illustrated above.

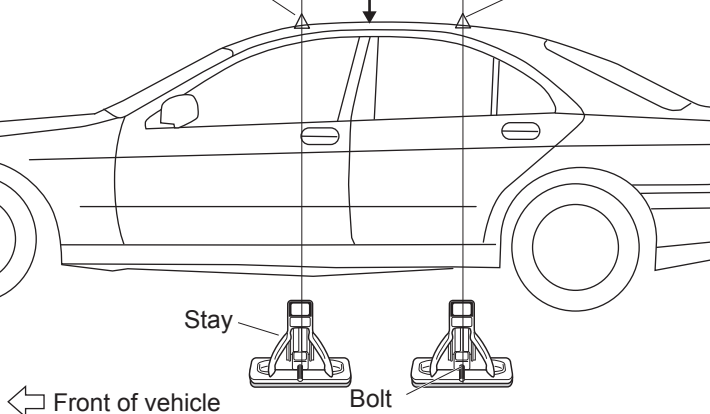
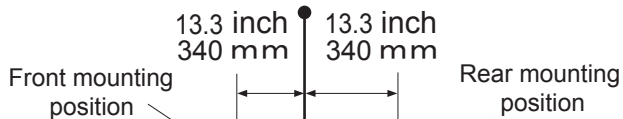
Install Bases

	Base number
Front base	411
Rear base	402

Mounting positions

- Position the stays so that bolts align at specified mounting points.

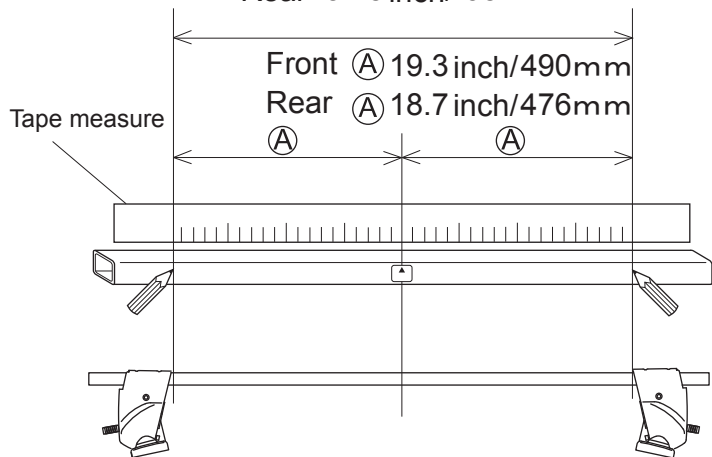
Gap between front and rear doors



Manufacturer	Model	Type	Year	Maximum loading capacity	Bikes
HONDA	CR-Z	3 door coupe	2011-	100 lbs ( 45 kg) ( Load + Base rack + Attachments )	2

Maximum loading capacity is 45 kg (100 lbs) for this vehicle type.

Stay interior dimensions  
Front 38.6inch/ 980 mm  
Rear 37.5inch/ 952 mm



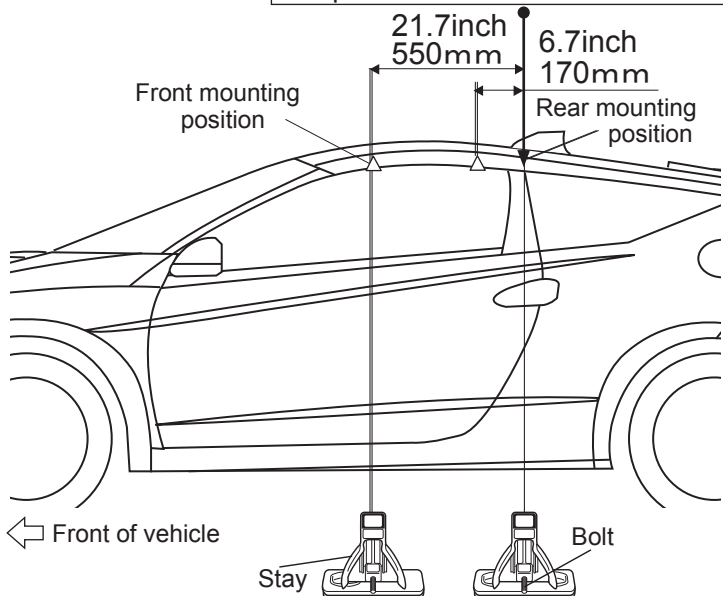
Install Bases

	Base number
Front base	411
Rear base	402

Mounting positions

- Position the stays so that bolts align at specified mounting points.

Gap between front and rear doors

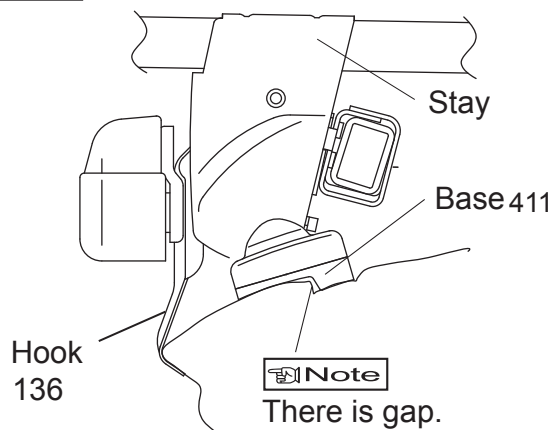


Loosely attach hooks

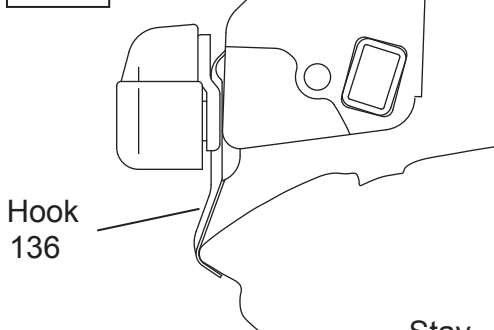
	Hook number
Front hook	136
Rear hook	136

Hook / base installation position

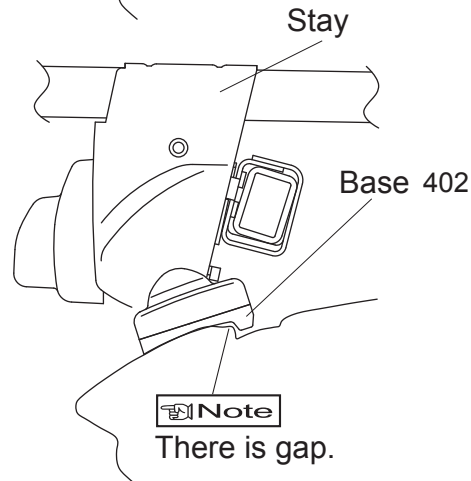
Front



Center



Rear



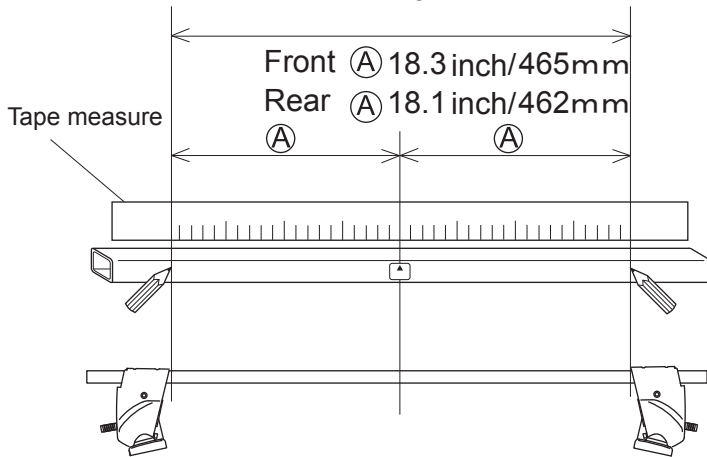
Note

- When knob is tightened, base moves slightly outward to the position illustrated above.

Manufacturer	Model	Type	Year	Maximum loading capacity	Bikes
TOYOTA	YARIS	5 door	2012-2013	120 lbs ( 55 kg) ( Load + Base rack + Attachments )	2

Maximum loading capacity is 55 kg (120 lbs) for this vehicle type.

Stay interior dimensions  
 Front 36.6 inch/ 930 mm  
 Rear 36.3 inch/ 924 mm

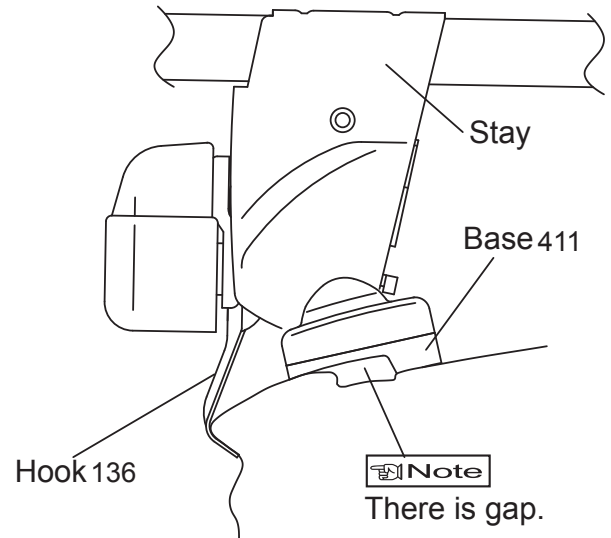


Loosely attach hooks

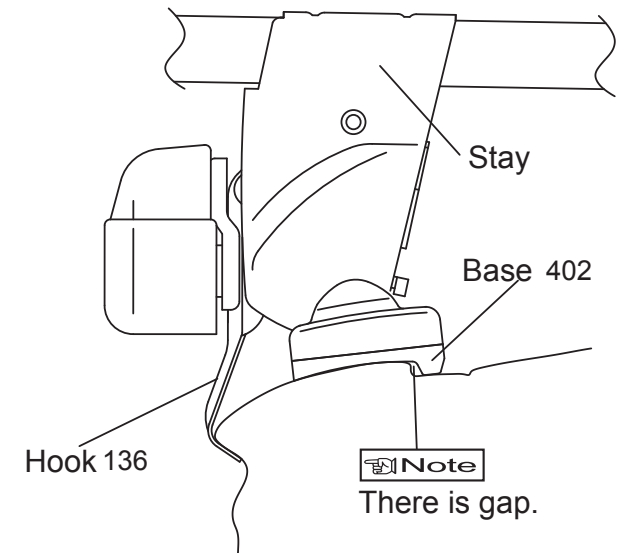
	Hook number
Front hook	136
Rear hook	136

■ Hook / base installation position

Front



Rear



Note

● When knob is tightened, base moves slightly outward to the position illustrated above.

Install Bases

	Base number
Front base	411
Rear base	402

Mounting positions

● Position the stays so that bolts align at specified mounting points.

Gap between front and rear doors

