

# SU Fit Hooks K295

## Installation Instructions

Before using the Mounting hooks, carefully read the installation instructions as well as the installation instructions for basic carrier systems, and follow all usage instructions. After reading the installation instructions, keep it in a safe place along with the installation instructions for basic carrier systems. If you are to give the mounting hooks to a third person, provide the installation instructions to ensure safe installation and usage.

### **WARNING**

Install hooks correctly at specified positions according to the installation instructions herein and the installation instructions for the applicable carrier system. Installation positions of hooks depend on the vehicle type. If hooks are not installed at specified positions, the carrier may fall and cause accidents.

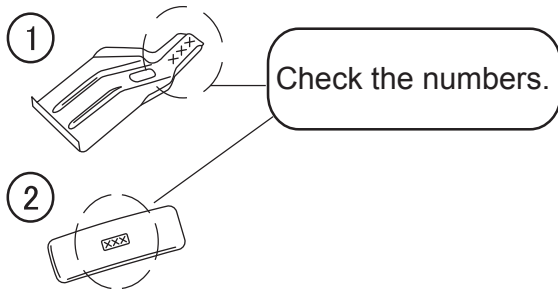
If inappropriate hooks are used, the carrier / attachment may fall and cause accidents. Before driving the vehicle, rock the stays and bars in all directions to ensure that there is no looseness. Retighten any loose knobs or bolts.

Do not use these hooks for attachments of non-specified types. The carrier may fall and cause accidents.

Observe the specified loading conditions. Failure to observe the loading condition may cause the carrier to break or loosen and fall, resulting in accidents.

For INNO dedicated ski & snowboard carriers, read the carrier installation instructions to determine proper mounting locations.

The SU Mounting hooks include the parts listed below. Verify that all of these parts are included in the carrier system you have purchased.



No.	Part	# of Part	Qty
1	Hook	232	4
2	Base	402	4

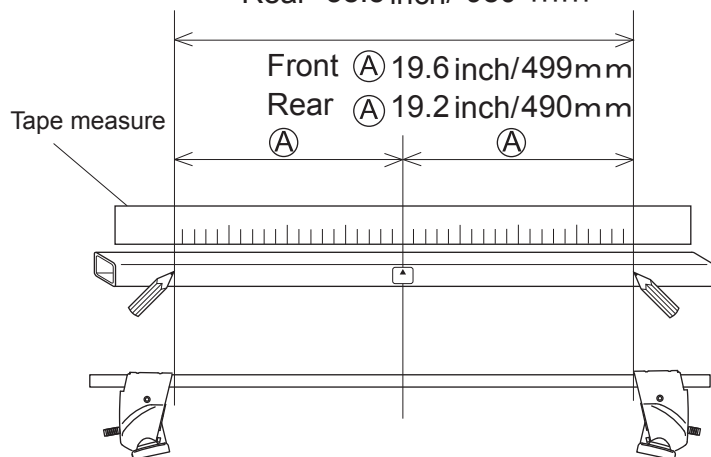
 **NOTE**

The specifications or external appearance of this product or any of the genuine spare parts may be changed for improvement without prior notification.

Manufacturer	Model	Type	Year	Maximum loading capacity	Bikes
SUBARU	LEGACY	4 door	2005 -2009	100 lbs ( 45 kg)	2
	OUTBACK		2005 -2008	( Load + Base rack + Attachments )	

Maximum loading capacity is 45 kg (100 lbs) for this vehicle type.

Stay interior dimensions  
 Front 39.2inch/ 998 mm  
 Rear 38.5inch/ 980 mm



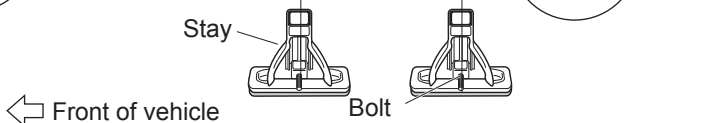
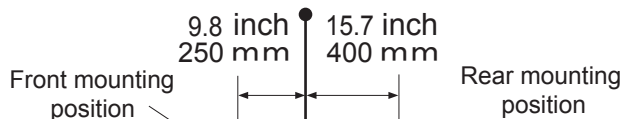
**Install Bases**

	Base number
Front base	402
Rear base	402

**Mounting positions**

- Position the stays so that bolts align at specified mounting points.

Gap between front and rear doors

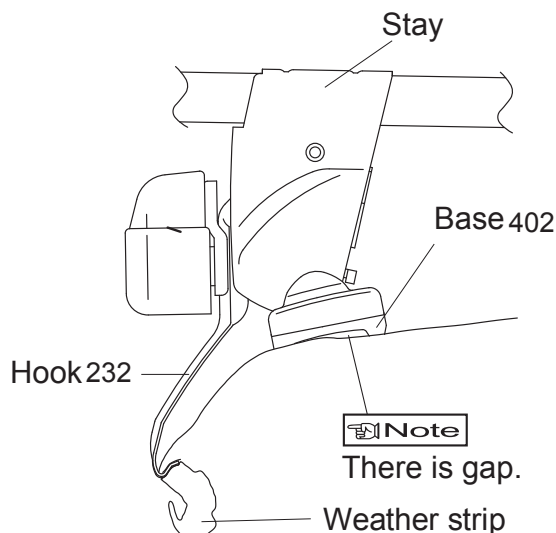


**Loosely attach hooks**

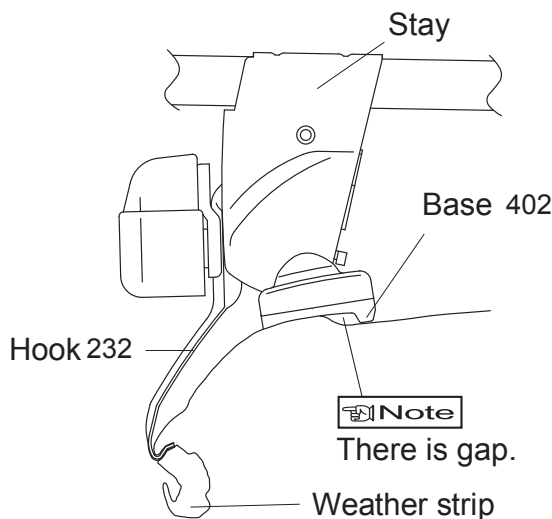
	Hook number
Front hook	232
Rear hook	232

- Hook / base installation position

**Front**



**Rear**



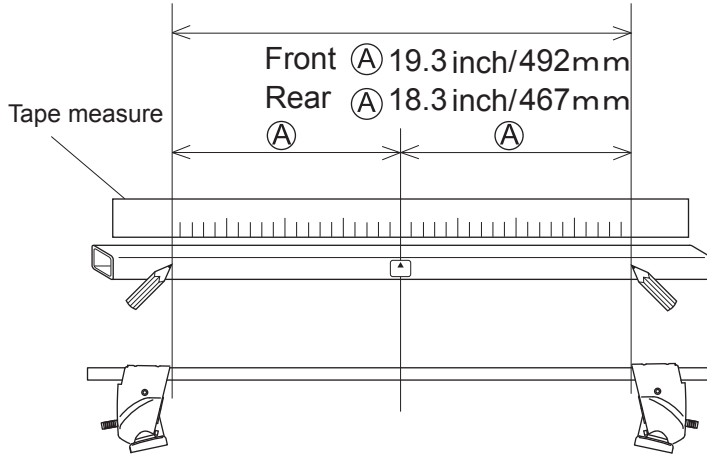
**Note**

- When knob is tightened, base moves slightly outward to the position illustrated above.

Manufacturer	Model	Type	Year	Maximum loading capacity	Bikes
CHRYSLER	SEBRING	2 door	2001 -2005	80 lbs ( 36 kg)  ( Load + Base rack + Attachments )	2
DODGE	STRATUS				

Maximum loading capacity is 36 kg ( 80 lbs) for this vehicle type.

Stay interior dimensions  
Front 38.7 inch/ 984 mm  
Rear 36.7 inch/ 934 mm

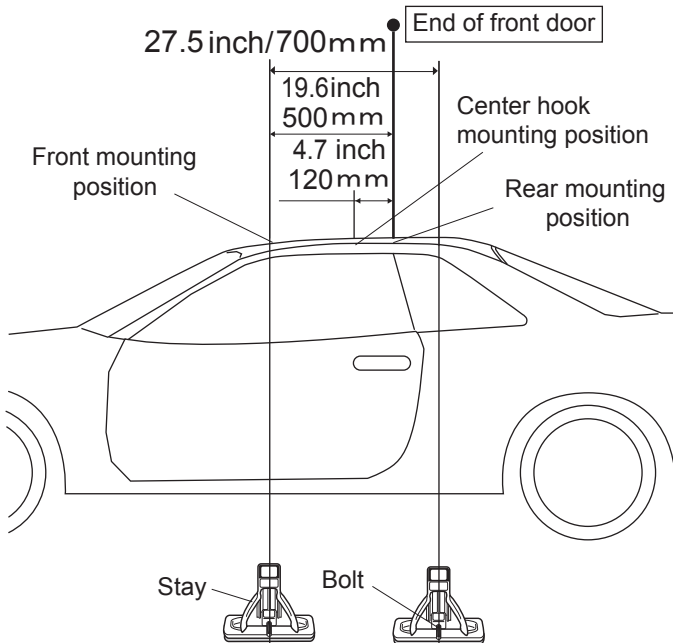


**Install Bases**

	Base number
Front base	402
Rear base	402

**Mounting positions**

● Position the stays so that bolts align at specified mounting points.

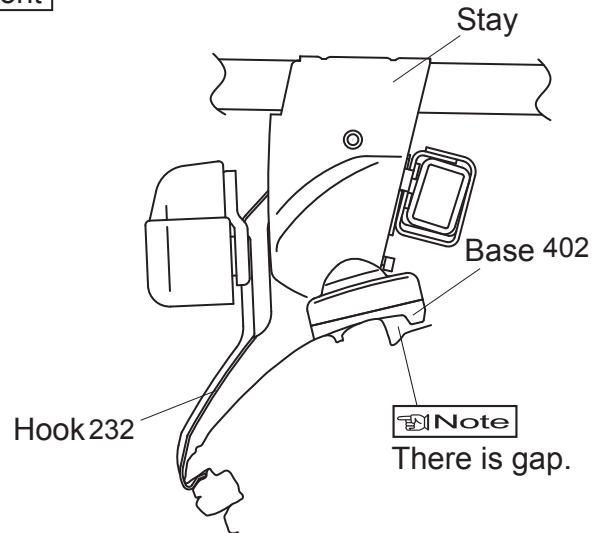


**Loosely attach hooks**

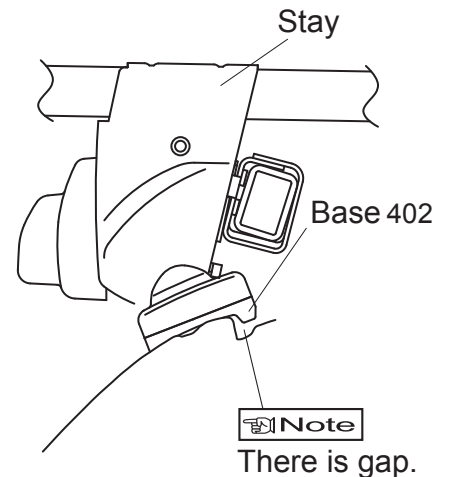
	Hook number
Front hook	232
Center hook	232

■ Hook / base installation position

Front



Rear



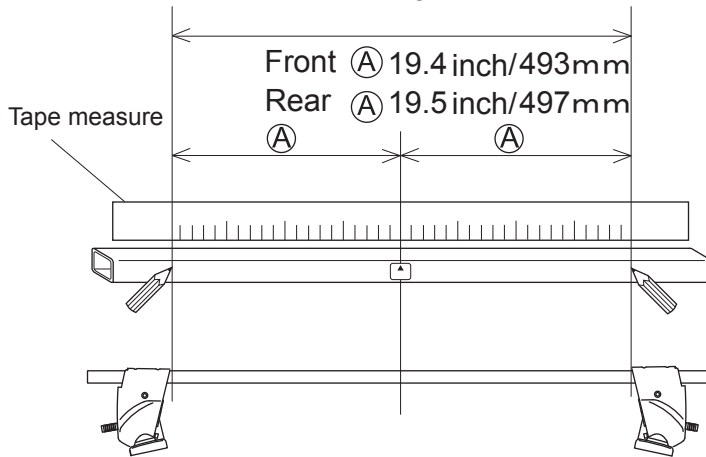
**Note**

- Hook mounting position for center hook is the same as front hook.
- Base installation position for rear carrier is the same as front carrier.
- When knob is tightened, base moves slightly outward to the position illustrated above.

Manufacturer	Model	Type	Year	Maximum loading capacity	Bikes
HYUNDAI	TIBURON		2002 -2008	80 lbs ( 36 kg) ( Load + Base rack + Attachments )	2

Maximum loading capacity is 36 kg ( 80 lbs) for this vehicle type.

Stay interior dimensions  
Front 38.8inch/ 986 mm  
Rear 39.1inch/ 994 mm

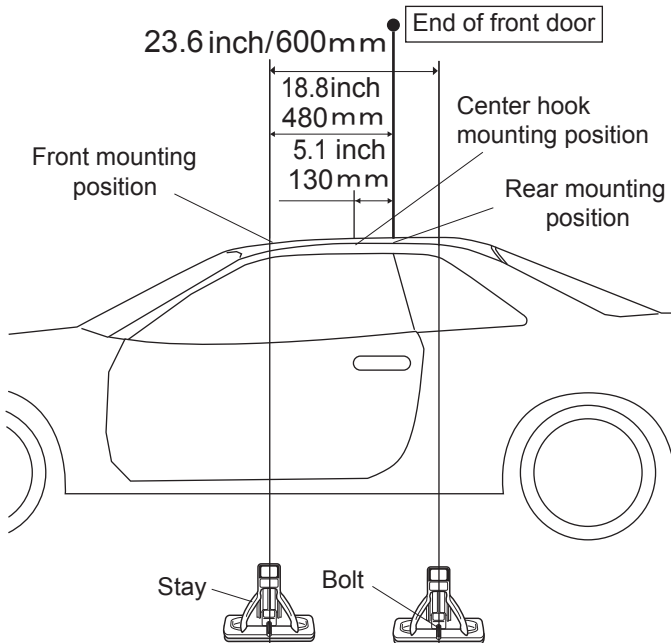


**Install Bases**

	Base number
Front base	402
Rear base	402

**Mounting positions**

- Position the stays so that bolts align at specified mounting points.

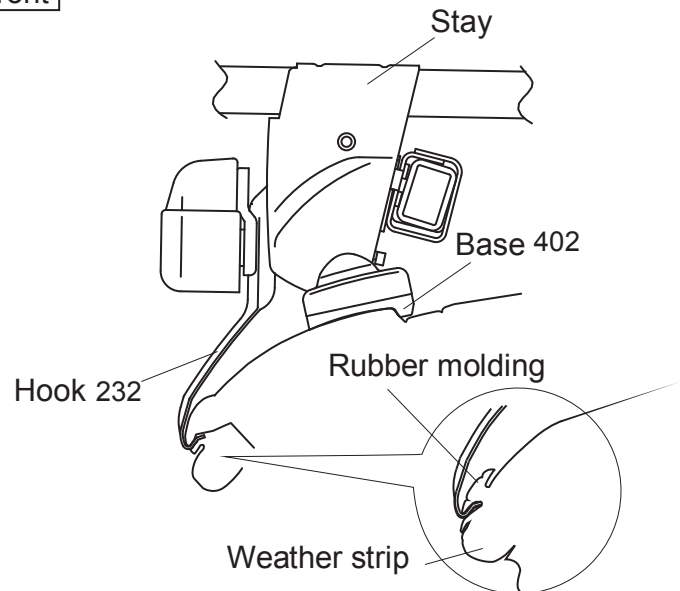


**Loosely attach hooks**

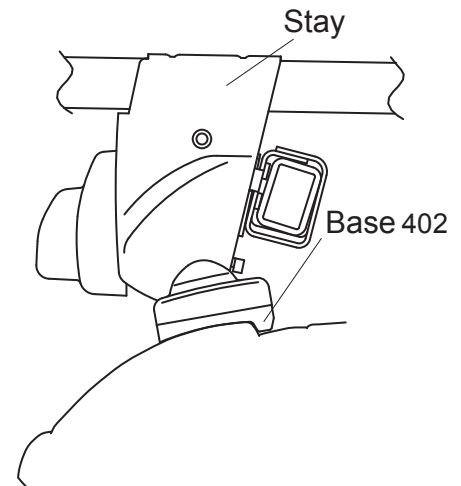
	Hook number
Front hook	232
Center hook	232

- Hook / base installation position

**Front**



**Rear**



**Note**

- Hook mounting position for center hook is the same as front hook.
- Base installation position for rear carrier is the same as front carrier.
- When knob is tightened, base moves slightly outward to the position illustrated above.