

# SU Fit Hooks K294

## Installation Instructions

Before using the Mounting hooks, carefully read the installation instructions as well as the installation instructions for basic carrier systems, and follow all usage instructions. After reading the installation instructions, keep it in a safe place along with the installation instructions for basic carrier systems. If you are to give the mounting hooks to a third person, provide the installation instructions to ensure safe installation and usage.

### **WARNING**

Install hooks correctly at specified positions according to the installation instructions herein and the installation instructions for the applicable carrier system. Installation positions of hooks depend on the vehicle type. If hooks are not installed at specified positions, the carrier may fall and cause accidents.

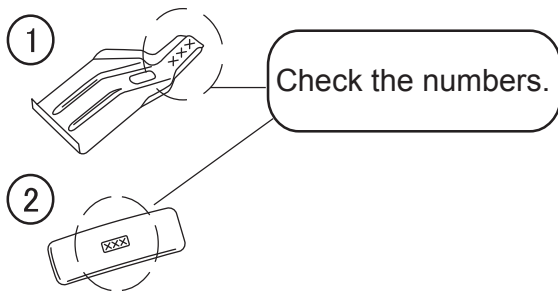
If inappropriate hooks are used, the carrier / attachment may fall and cause accidents. Before driving the vehicle, rock the stays and bars in all directions to ensure that there is no looseness. Retighten any loose knobs or bolts.

Do not use these hooks for attachments of non-specified types. The carrier may fall and cause accidents.

Observe the specified loading conditions. Failure to observe the loading condition may cause the carrier to break or loosen and fall, resulting in accidents.

For INNO dedicated ski & snowboard carriers, read the carrier installation instructions to determine proper mounting locations.

The SU Mounting hooks include the parts listed below. Verify that all of these parts are included in the carrier system you have purchased.



No.	Part	# of Part	Qty
1	Hook	134	4
2	Base	411	4

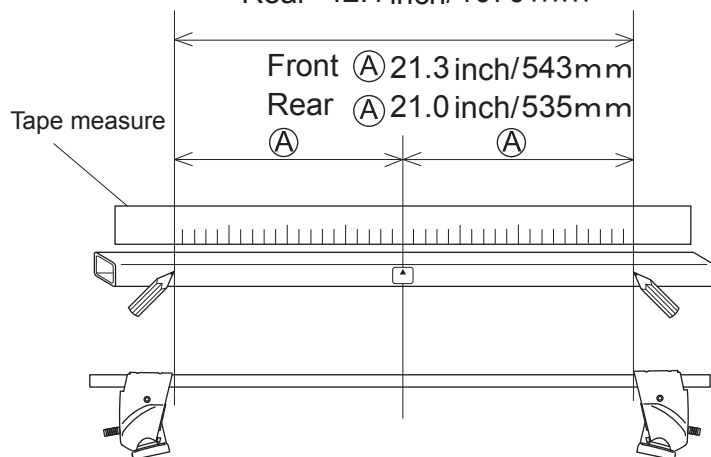
#### **NOTE**

The specifications or external appearance of this product or any of the genuine spare parts may be changed for improvement without prior notification.

Manufacturer	Model	Type	Year	Maximum loading capacity	Bikes
CHEVROLET	IMPALA	4 door sedan	2000-2005	140 lbs ( 64 kg) ( Load + Base rack + Attachments )	3

Maximum loading capacity is 64 kg (140 lbs) for this vehicle type.

Stay interior dimensions  
 Front 42.7 inch/1086 mm  
 Rear 42.1 inch/1070 mm



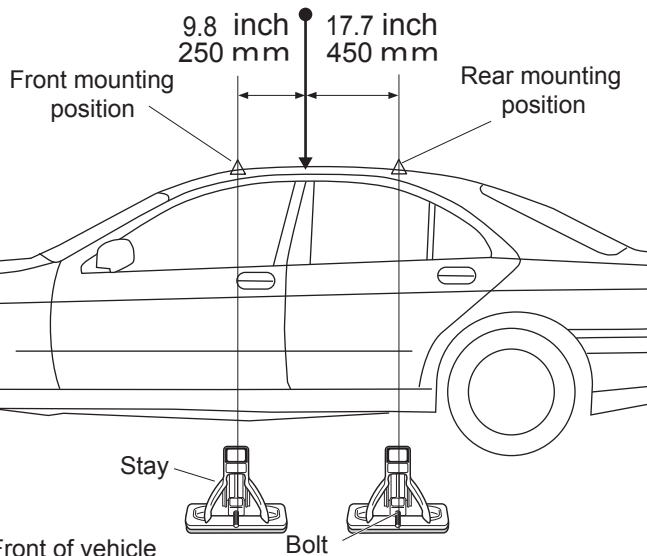
**Install Bases**

	Base number
Front base	411
Rear base	411

**Mounting positions**

- Position the stays so that bolts align at specified mounting points.

Gap between front and rear doors

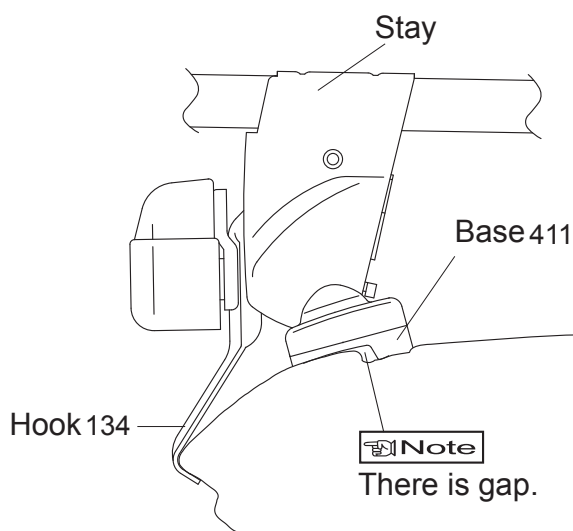


**Loosely attach hooks**

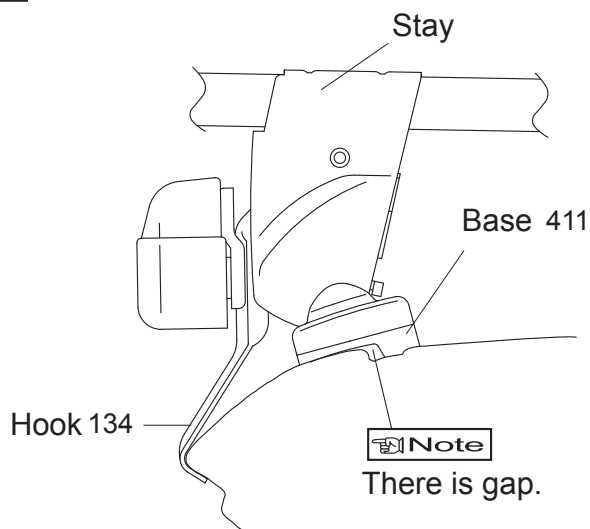
	Hook number
Front hook	134
Rear hook	134

- Hook / base installation position

**Front**



**Rear**



**Note**

- When knob is tightened, base moves slightly outward to the position illustrated above.

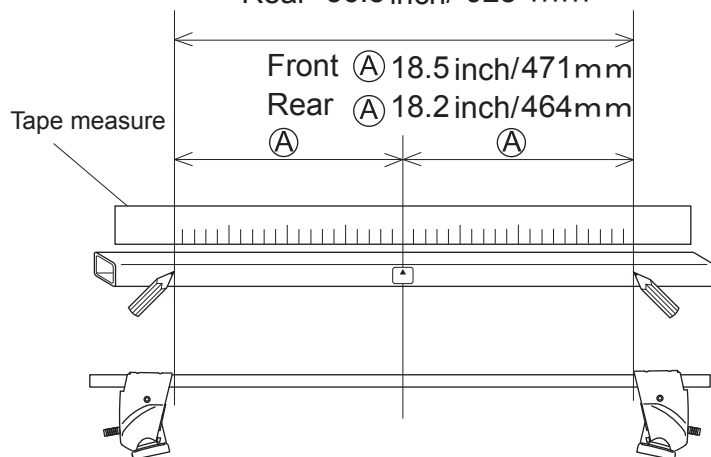
Manufacturer	Model	Type	Year	Maximum loading capacity	Bikes
FORD	ESCORT	4 door sedan	1997 -2001	140 lbs ( 64 kg)	3
MERCURY	TRACER		1997 -1999	( Load + Base rack + Attachments )	

Maximum loading capacity is 64 kg (140 lbs) for this vehicle type.

Stay interior dimensions

Front 37.0inch/ 942 mm

Rear 36.5inch/ 928 mm

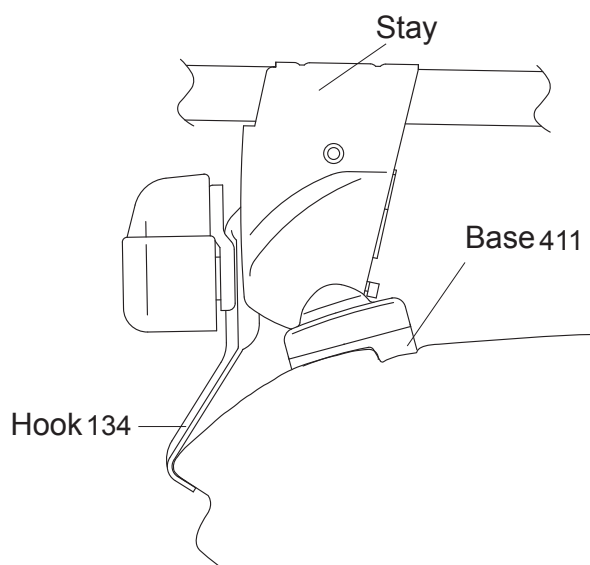


Loosely attach hooks

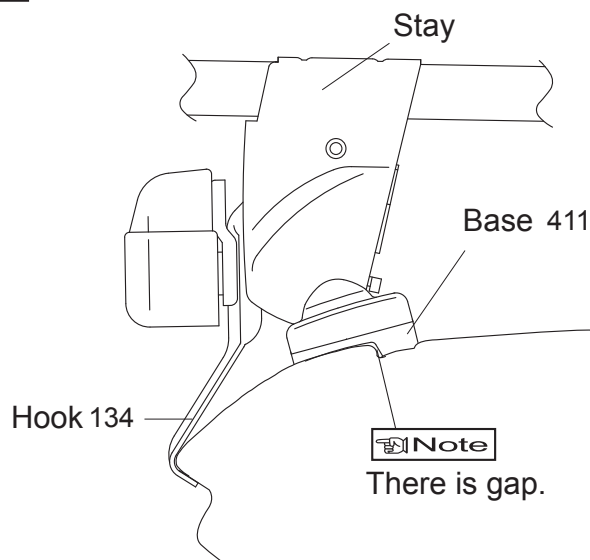
	Hook number
Front hook	134
Rear hook	134

■ Hook / base installation position

Front



Rear



Note

● When knob is tightened, base moves slightly outward to the position illustrated above.

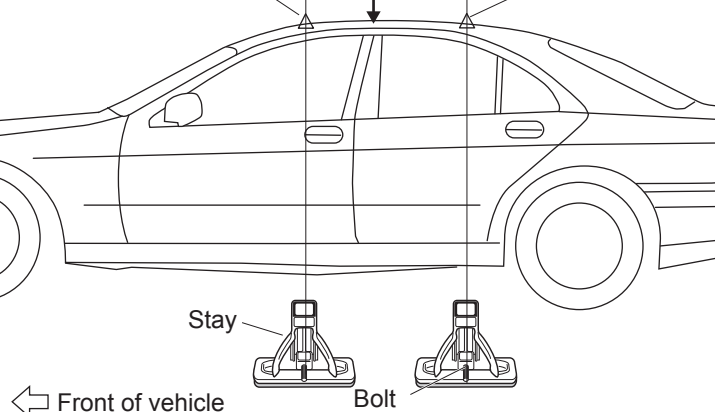
Install Bases

	Base number
Front base	411
Rear base	411

Mounting positions

● Position the stays so that bolts align at specified mounting points.

Gap between front and rear doors



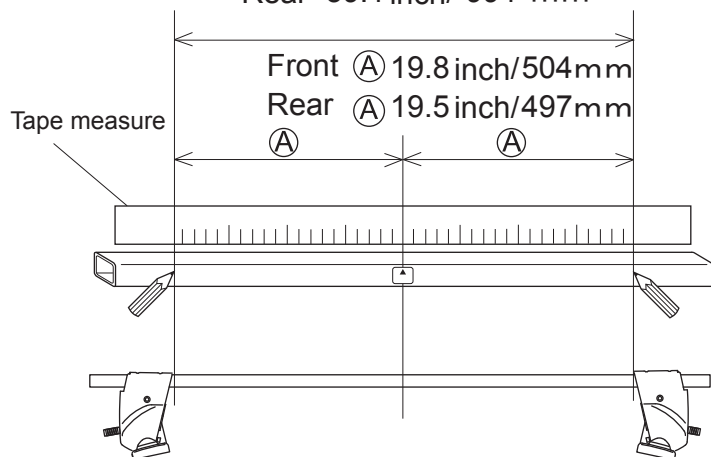
Manufacturer	Model	Type	Year	Maximum loading capacity	Bikes
HONDA	ACCORD	4 door sedan	2003-2007	140 lbs ( 64 kg) ( Load + Base rack + Attachments )	3

Maximum loading capacity is 64 kg (140 lbs) for this vehicle type.

Stay interior dimensions

Front 39.6 inch/1008 mm

Rear 39.1 inch/ 994 mm



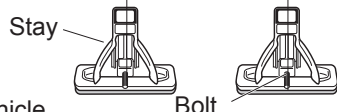
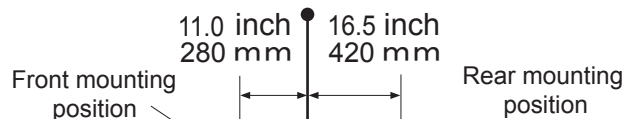
Install Bases

	Base number
Front base	411
Rear base	411

Mounting positions

- Position the stays so that bolts align at specified mounting points.

Gap between front and rear doors



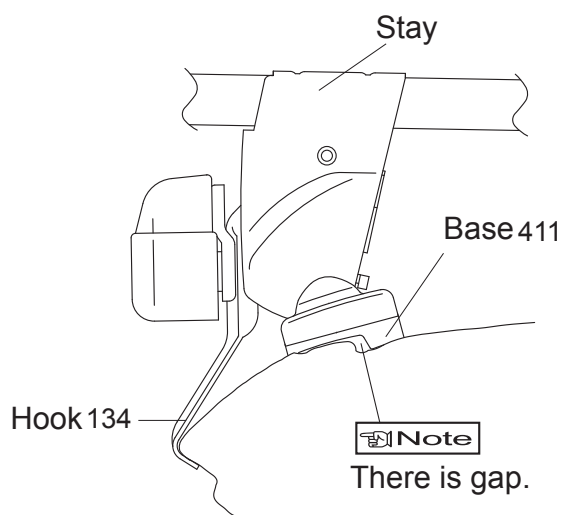
← Front of vehicle

Loosely attach hooks

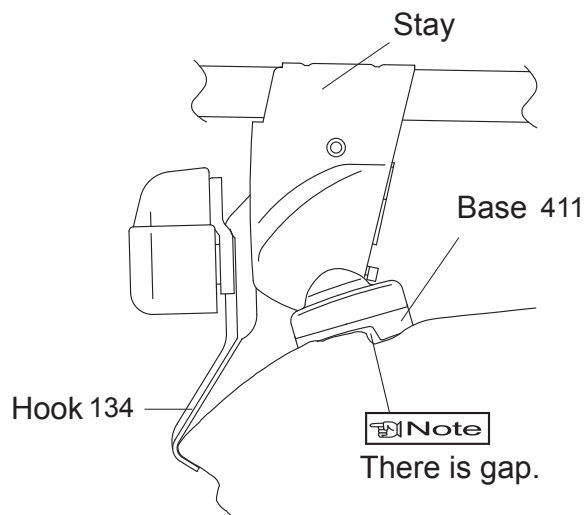
	Hook number
Front hook	134
Rear hook	134

- Hook / base installation position

Front



Rear



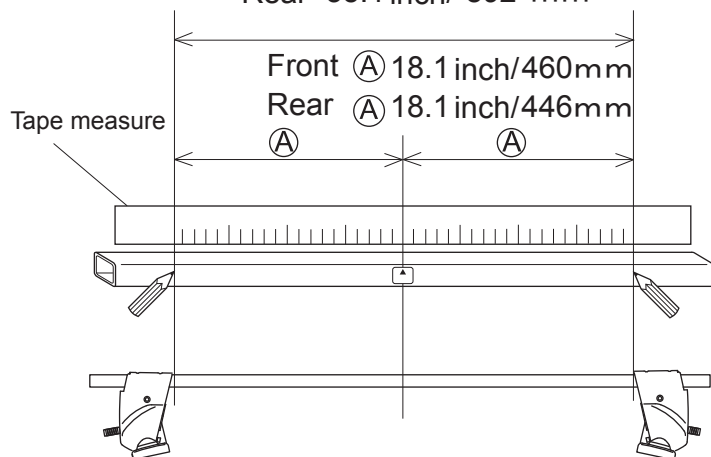
Note

- When knob is tightened, base moves slightly outward to the position illustrated above.

Manufacturer	Model	Type	Year	Maximum loading capacity	Bikes
KIA	SEPHIA	4 door	1998 -2001	140 lbs ( 64 kg) ( Load + Base rack + Attachments )	3

Maximum loading capacity is 64 kg (140 lbs) for this vehicle type.

Stay interior dimensions  
Front 36.2 inch/ 920 mm  
Rear 35.1 inch/ 892 mm



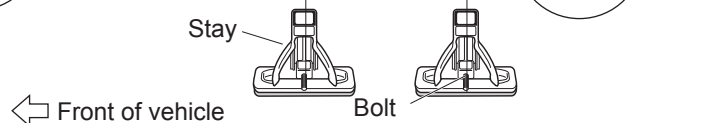
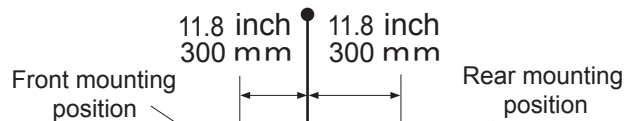
Install Bases

	Base number
Front base	411
Rear base	411

Mounting positions

- Position the stays so that bolts align at specified mounting points.

Gap between front and rear doors

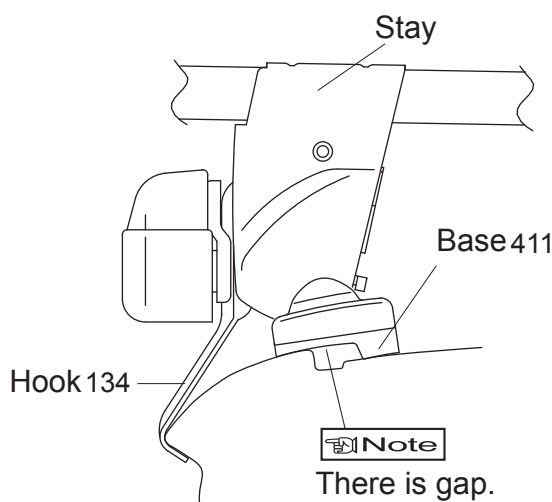


Loosely attach hooks

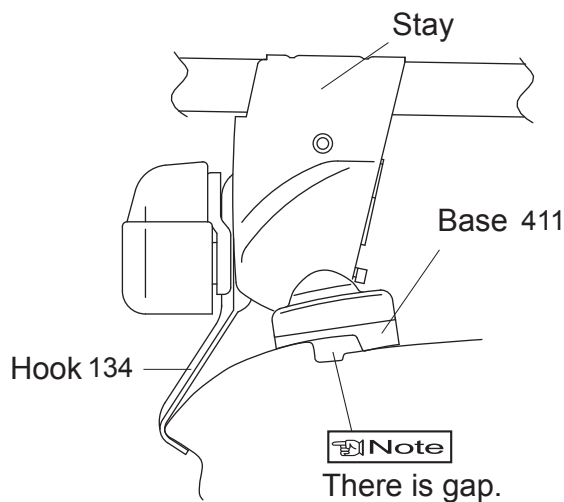
	Hook number
Front hook	134
Rear hook	134

- Hook / base installation position

Front



Rear



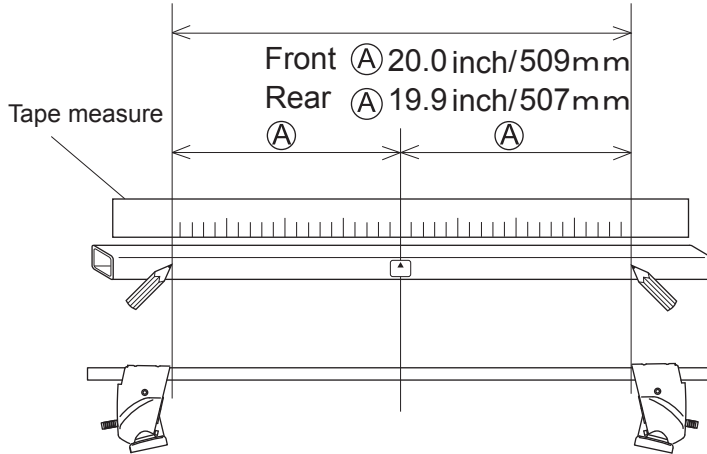
Note

- When knob is tightened, base moves slightly outward to the position illustrated above.

Manufacturer	Model	Type	Year	Maximum loading capacity	Bikes
HONDA	ACCORD	2 door coupe	2003-2007	140 lbs ( 64 kg) ( Load + Base rack + Attachments )	3

Maximum loading capacity is 64 kg (140 lbs) for this vehicle type.

Stay interior dimensions  
 Front 40.0inch/1018 mm  
 Rear 39.9inch/1014 mm

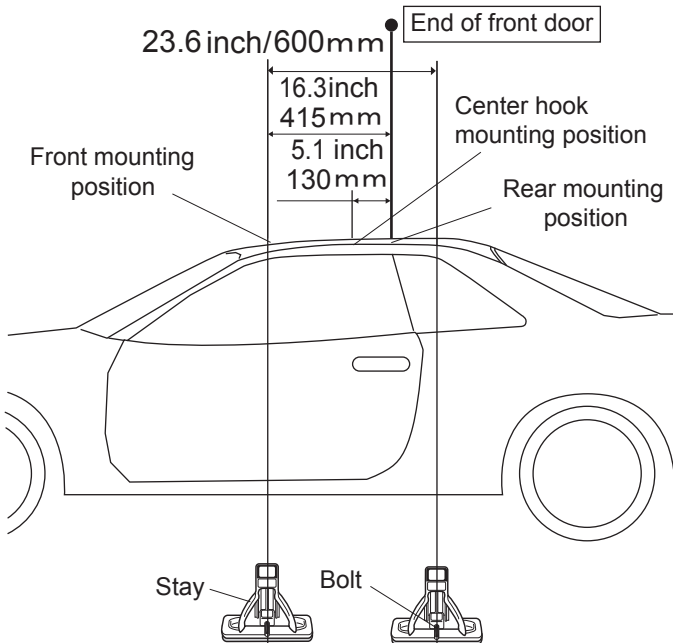


**Install Bases**

	Base number
Front base	411
Rear base	411

**Mounting positions**

- Position the stays so that bolts align at specified mounting points.

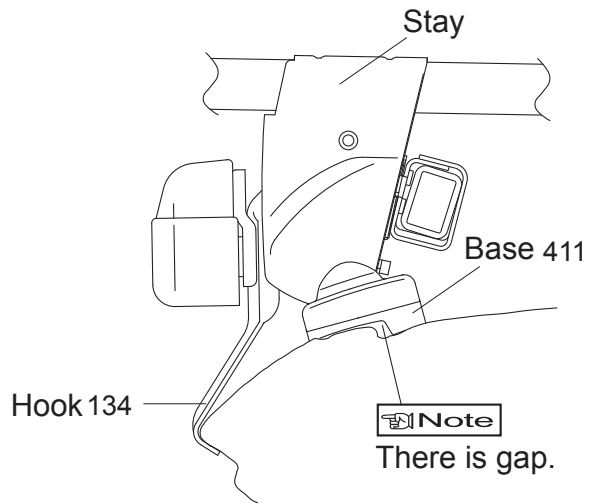


**Loosely attach hooks**

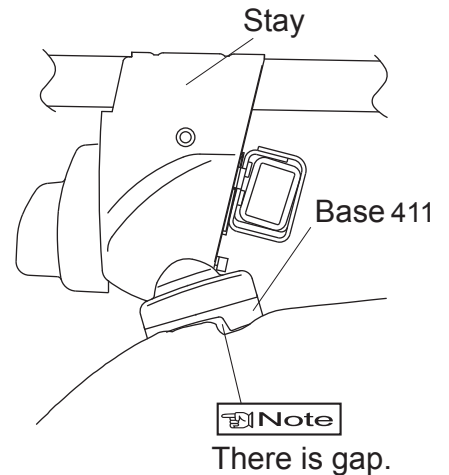
	Hook number
Front hook	134
Center hook	134

- Hook / base installation position

**Front**



**Rear**



**Note**

- Hook mounting position for center hook is the same as front hook.
- When knob is tightened, base moves slightly outward to the position illustrated above.