

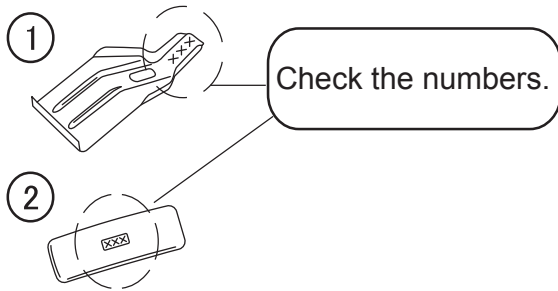
SU Fit Hooks K263

Installation Instructions

Before using the Mounting hooks, carefully read the installation instructions as well as the installation instructions for basic carrier systems, and follow all usage instructions. After reading the installation instructions, keep it in a safe place along with the installation instructions for basic carrier systems. If you are to give the mounting hooks to a third person, provide the installation instructions to ensure safe installation and usage.

For INNO dedicated ski & snowboard carriers, read the carrier installation instructions to determine proper mounting locations.

The SU Mounting hooks include the parts listed below. Verify that all of these parts are included in the carrier system you have purchased.



No.	Part	# of Part	Qty
1	Hook	115	4
2	Base	401	4

NOTE

The specifications or external appearance of this product or any of the genuine spare parts may be changed for improvement without prior notification.

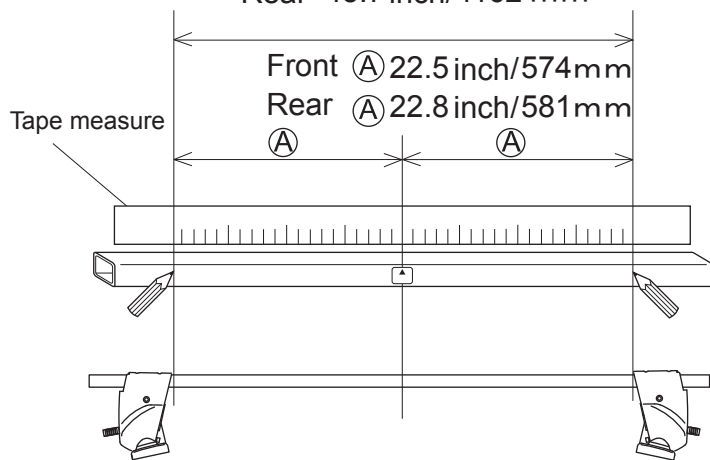
Manufacturer	Model	Type	Year	Maximum loading capacity	Bikes
AUDI	Q7		2007-	80 lbs (36 kg) (Load + Base rack + Attachments)	2

Maximum loading capacity is 36 kg (80 lbs) for this vehicle type.

Stay interior dimensions

Front 45.1 inch/1148 mm

Rear 45.7 inch/1162 mm

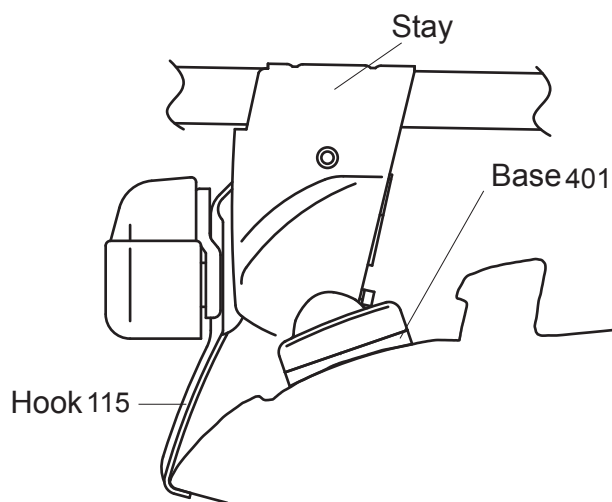


Loosely attach hooks

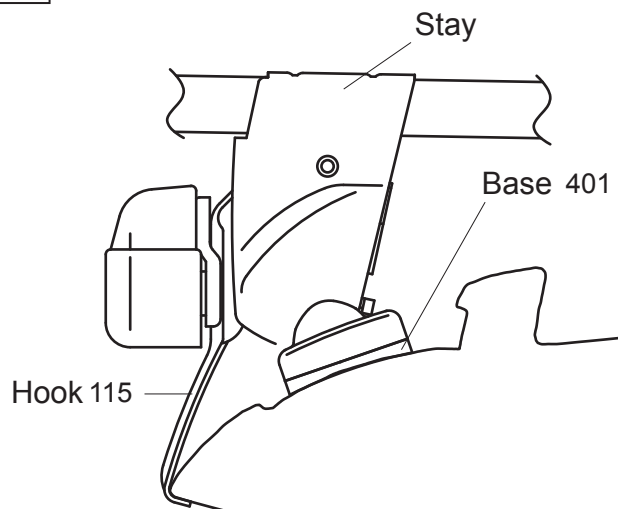
	Hook number
Front hook	115
Rear hook	115

■ Hook / base installation position

Front



Rear



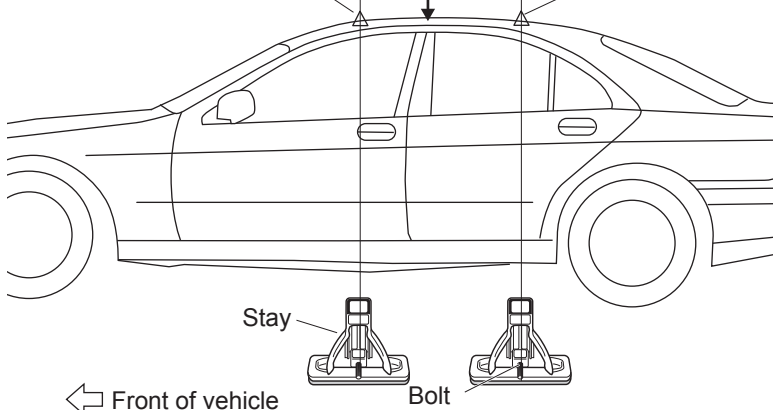
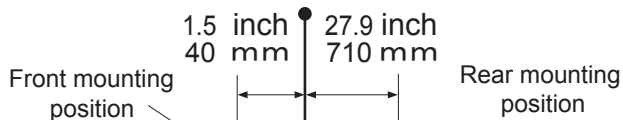
Install Bases

	Base number
Front base	401
Rear base	401

Mounting positions

- Position the stays so that bolts align at specified mounting points.

Gap between front and rear doors



Note

- When knob is tightened, base moves slightly outward to the position illustrated above.

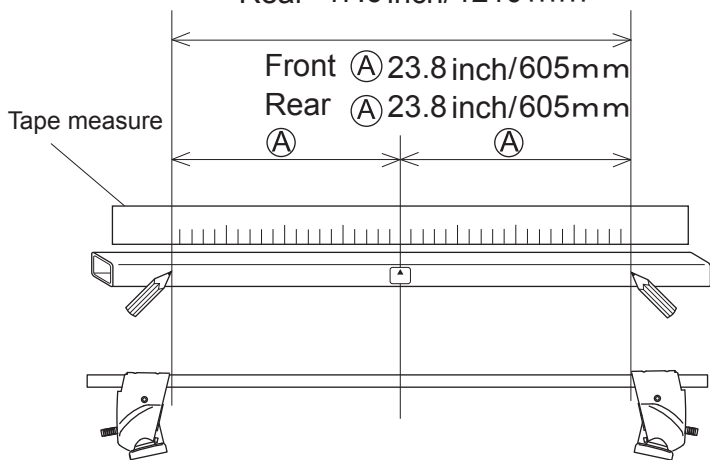
Manufacturer	Model	Type	Year	Maximum loading capacity	Bikes
LAND ROVER	RANGE ROVER	SUV	2003-2012	140 lbs (64 kg) (Load + Base rack + Attachments)	3

Maximum loading capacity is 64 kg (140 lbs) for this vehicle type.

Stay interior dimensions

Front 47.6 inch/1210 mm

Rear 47.6 inch/1210 mm

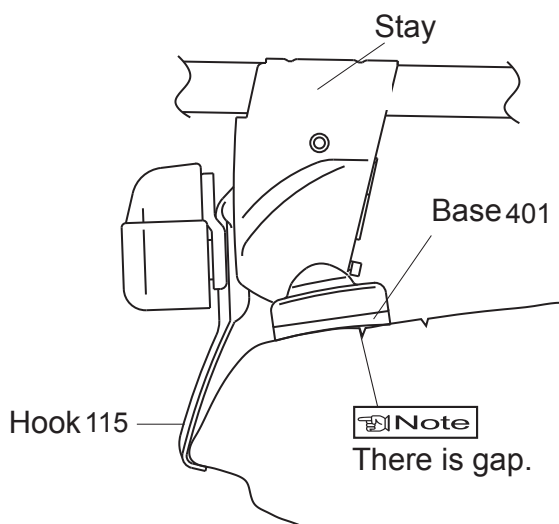


Loosely attach hooks

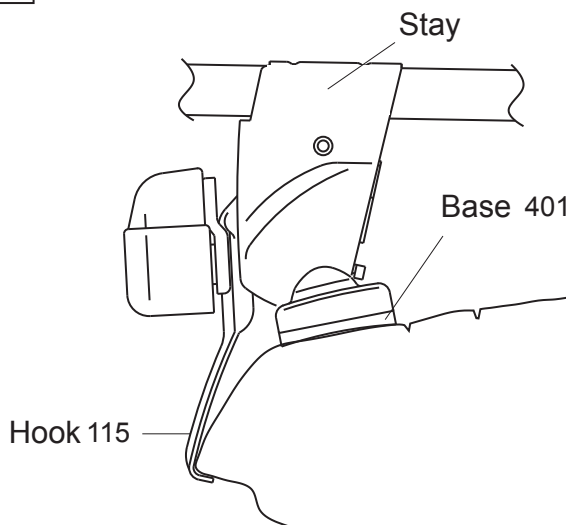
	Hook number
Front hook	115
Rear hook	115

■ Hook / base installation position

Front



Rear



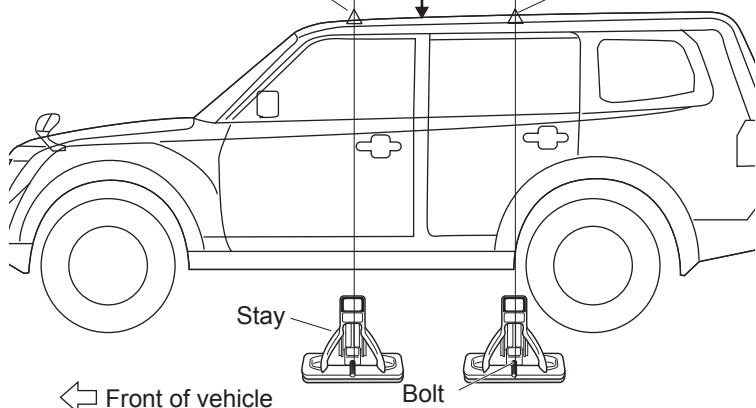
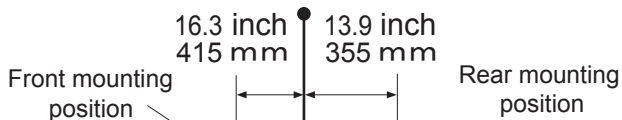
Install Bases

	Base number
Front base	401
Rear base	401

Mounting positions

- Position the stays so that bolts align at specified mounting points.

Gap between front and rear doors



Note

- When knob is tightened, base moves slightly outward to the position illustrated above.

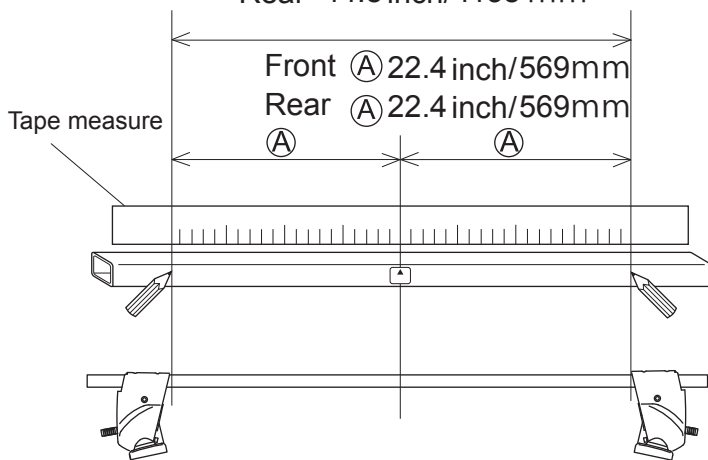
Manufacturer	Model	Type	Year	Maximum loading capacity	Bikes
SCION	xB		2004 -2006	140 lbs (64 kg) (Load + Base rack + Attachments)	3

Maximum loading capacity is 64 kg (140 lbs) for this vehicle type.

Stay interior dimensions

Front 44.8 inch/1138 mm

Rear 44.8 inch/1138 mm

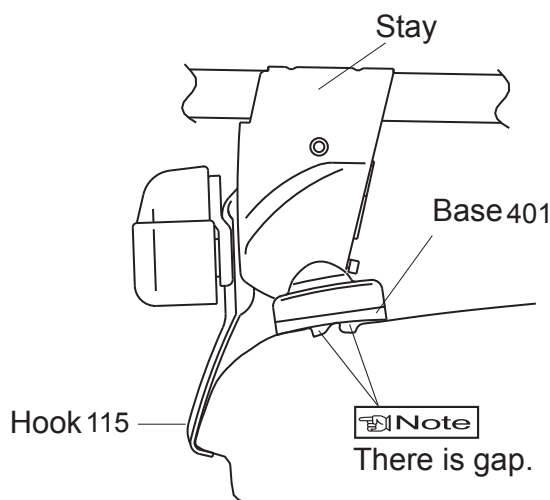


Loosely attach hooks

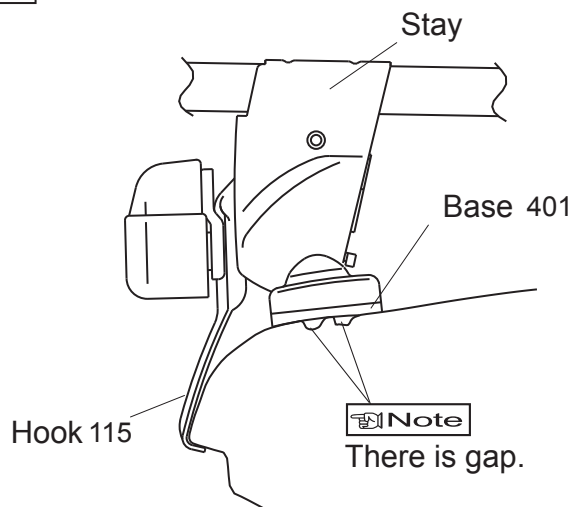
	Hook number
Front hook	115
Rear hook	115

■ Hook / base installation position

Front



Rear



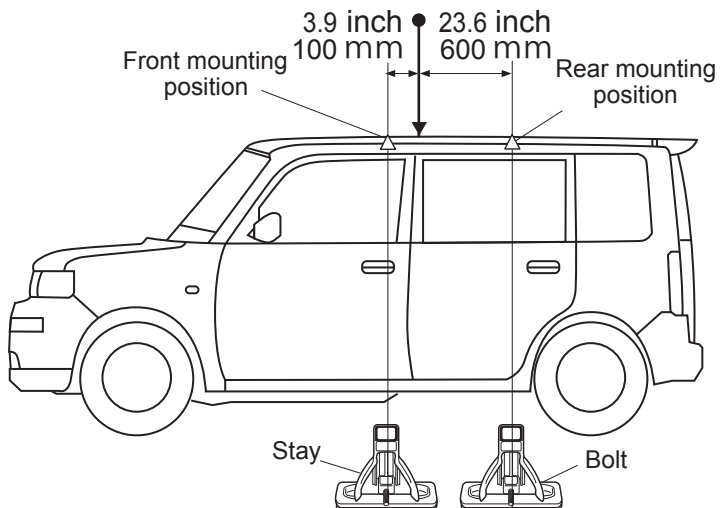
Install Bases

	Base number
Front base	401
Rear base	401

Mounting positions

● Position the stays so that bolts align at specified mounting points.

Gap between front and rear doors



Note

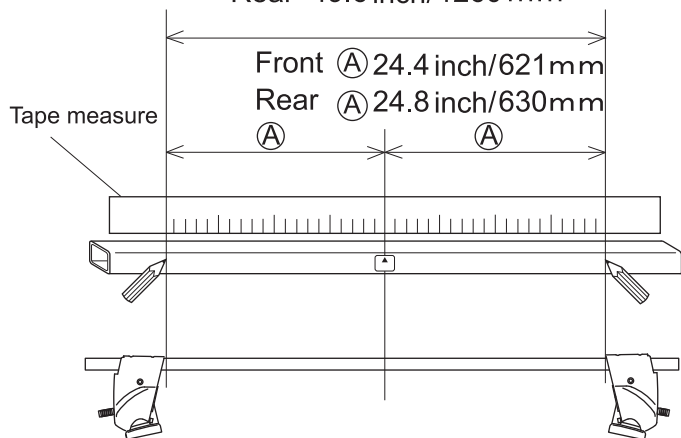
● When knob is tightened, base moves slightly outward to the position illustrated above.

← Front of vehicle

Manufacturer	Model	Type	Year	Maximum loading capacity	Bikes
FORD	FLEX		2009-	140 lbs (64 kg) (Load + Base rack + Attachments)	3

Maximum loading capacity is 64 kg (140 lbs) for this vehicle type.

Stay interior dimensions
 Front 48.8 inch/1242 mm
 Rear 49.6 inch/1260 mm

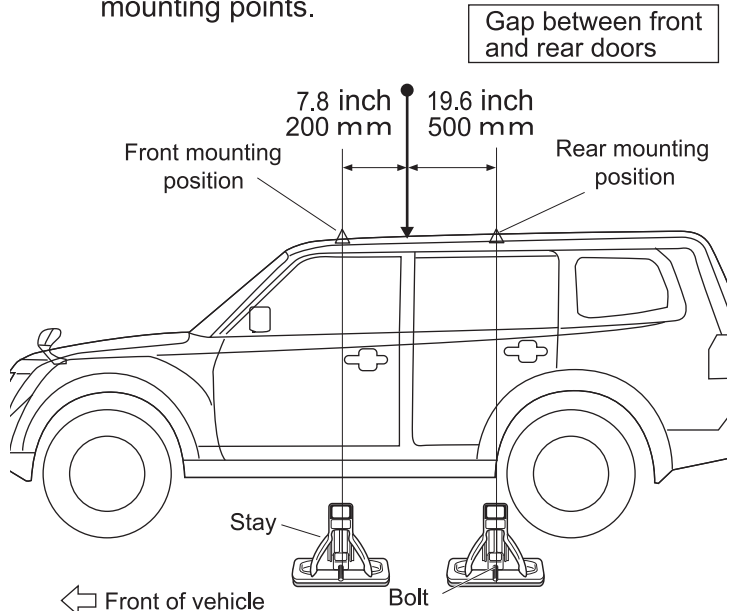


Install Bases

	Base number
Front base	401
Rear base	401

Mounting positions

- Position the stays so that bolts align at specified mounting points.

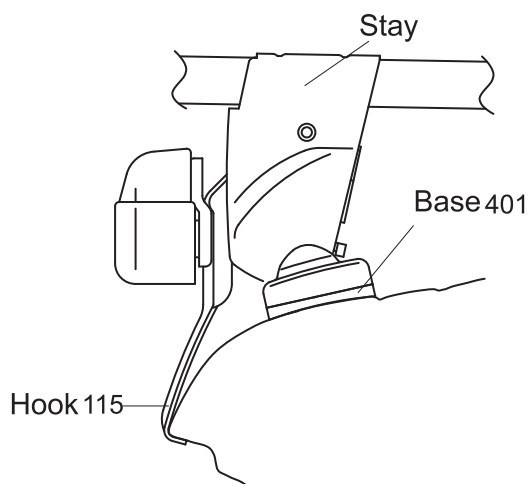


Loosely attach hooks

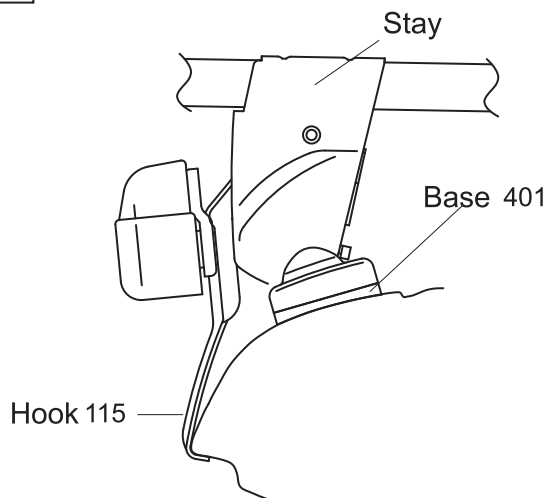
	Hook number
Front hook	115
Rear hook	115

- Hook / base installation position

Front



Rear



Note

- When knob is tightened, base moves slightly outward to the position illustrated above.