

# SU Fit Hooks K254

## Installation Instructions

Before using the Mounting hooks, carefully read the installation instructions as well as the installation instructions for basic carrier systems, and follow all usage instructions. After reading the installation instructions, keep it in a safe place along with the installation instructions for basic carrier systems. If you are to give the mounting hooks to a third person, provide the installation instructions to ensure safe installation and usage.

### **WARNING**

Install hooks correctly at specified positions according to the installation instructions herein and the installation instructions for the applicable carrier system. Installation positions of hooks depend on the vehicle type. If hooks are not installed at specified positions, the carrier may fall and cause accidents.

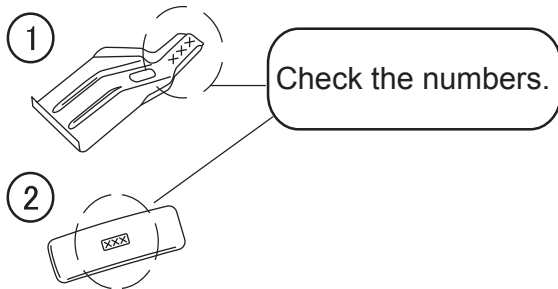
If inappropriate hooks are used, the carrier / attachment may fall and cause accidents. Before driving the vehicle, rock the stays and bars in all directions to ensure that there is no looseness. Retighten any loose knobs or bolts.

Do not use these hooks for attachments of non-specified types. The carrier may fall and cause accidents.

Observe the specified loading conditions. Failure to observe the loading condition may cause the carrier to break or loosen and fall, resulting in accidents.

For INNO dedicated ski & snowboard carriers, read the carrier installation instructions to determine proper mounting locations.

The SU Mounting hooks include the parts listed below. Verify that all of these parts are included in the carrier system you have purchased.



No.	Part	# of Part	Qty
1	Hook	136	4
2	Base	401	4

#### **NOTE**

The specifications or external appearance of this product or any of the genuine spare parts may be changed for improvement without prior notification.

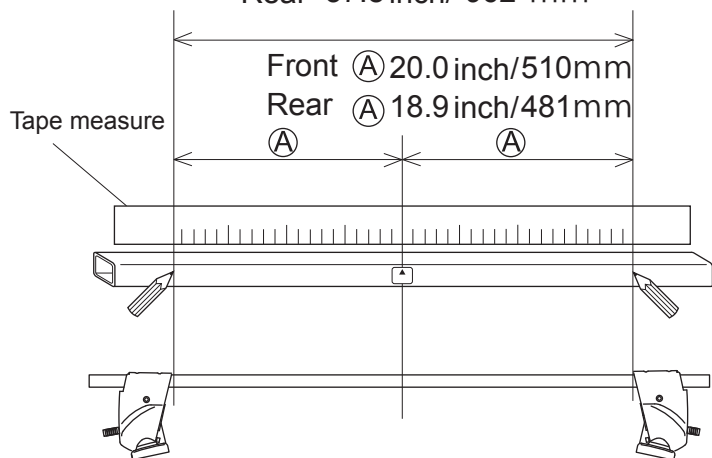
Manufacturer	Model	Type	Year	Maximum loading capacity	Bikes
AUDI	A4	4 door sedan	2002-2005	120 lbs ( 55 kg)  ( Load + Base rack + Attachments )	2
			2006-2008		
	2007 -2008				
	2004 -2008				

Maximum loading capacity is 55 kg (120 lbs) for this vehicle type.

Stay interior dimensions

Front 40.1 inch/1020 mm

Rear 37.8 inch/ 962 mm

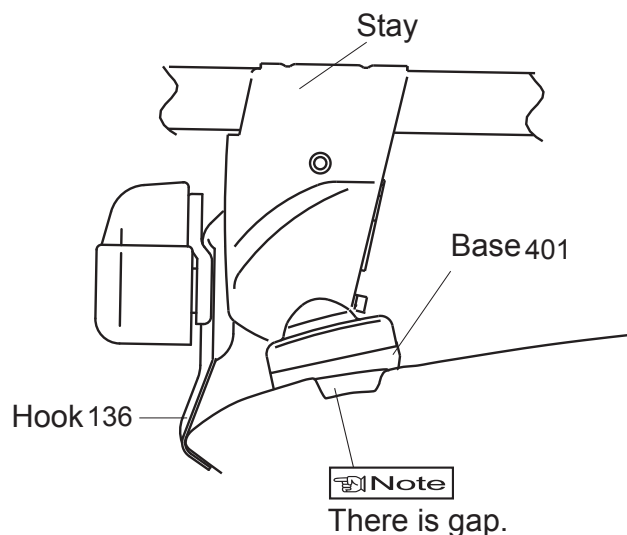


Loosely attach hooks

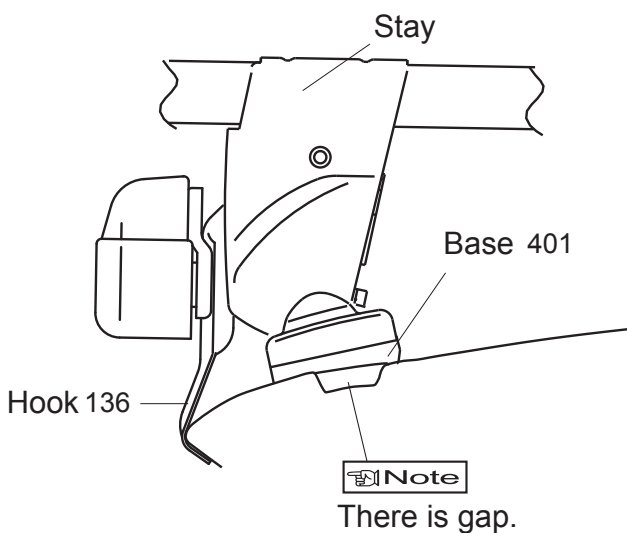
	Hook number
Front hook	136
Rear hook	136

■ Hook / base installation position

Front



Rear



Note

● When knob is tightened, base moves slightly outward to the position illustrated above.

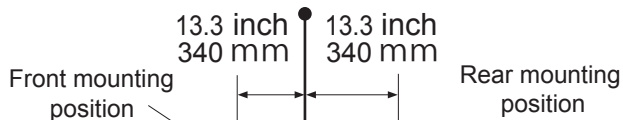
Install Bases

	Base number
Front base	401
Rear base	401

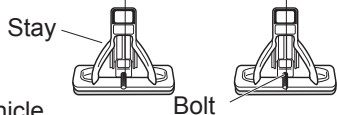
Mounting positions

● Position the stays so that bolts align at specified mounting points.

Gap between front and rear doors



← Front of vehicle



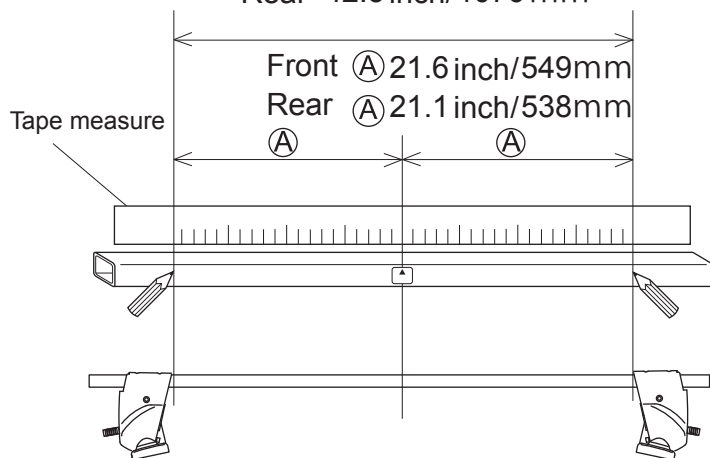
Manufacturer	Model	Type	Year	Maximum loading capacity	Bikes
KIA	SORENTO	5 door	2001 -2009	140 lbs ( 64 kg) ( Load + Base rack + Attachments )	3

Maximum loading capacity is  
64 kg (140 lbs) for this vehicle type.

Stay interior dimensions

Front 43.2 inch/1098 mm

Rear 42.3 inch/1076 mm

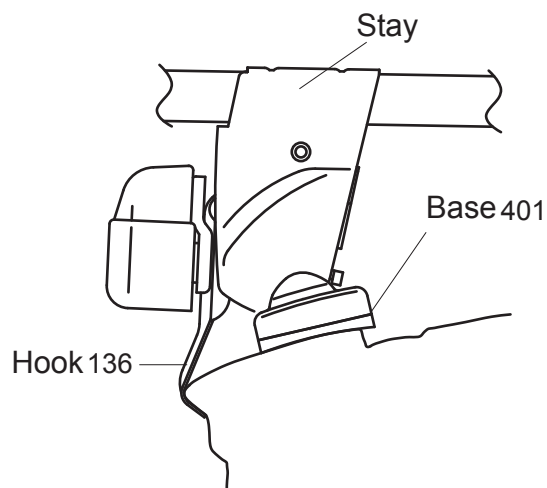


**Loosely attach hooks**

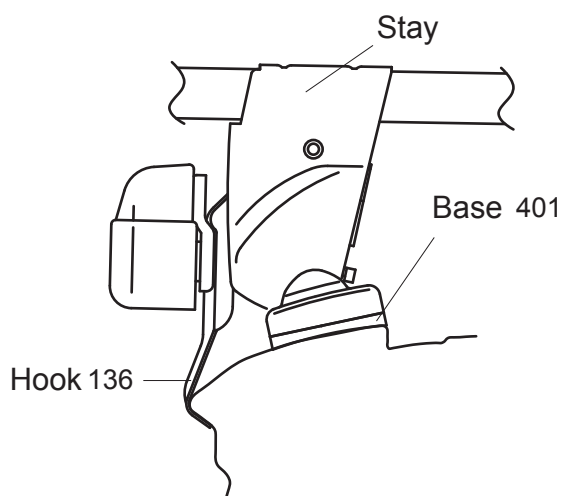
	Hook number
Front hook	136
Rear hook	136

■ Hook / base installation position

Front



Rear



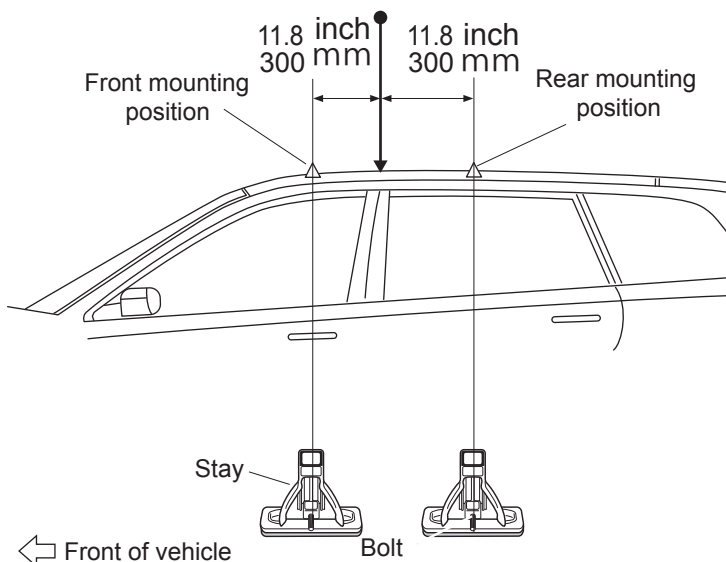
**Install Bases**

	Base number
Front base	401
Rear base	401

**Mounting positions**

● Position the stays so that bolts align at specified mounting points.

Gap between front and rear doors



**Note**

● When knob is tightened, base moves slightly outward to the position illustrated above.

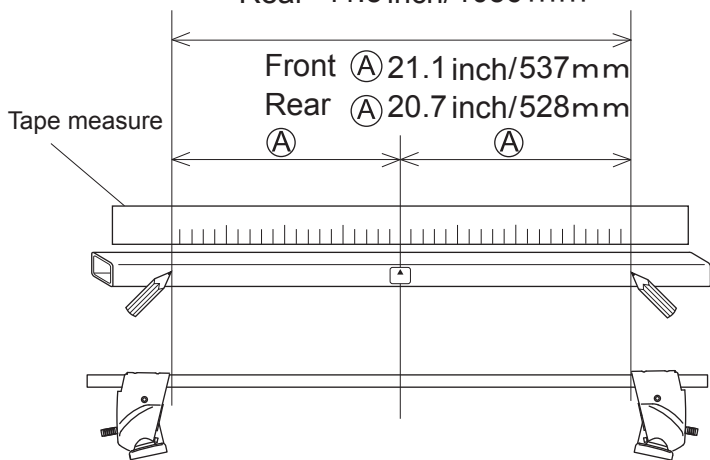
Manufacturer	Model	Type	Year	Maximum loading capacity	Bikes
LEXUS	GS	4 door	2006-2011	100 lbs ( 45 kg) ( Load + Base rack + Attachments )	2

Maximum loading capacity is 45 kg (100 lbs) for this vehicle type.

Stay interior dimensions

Front 42.2 inch/1074 mm

Rear 41.5 inch/1056 mm

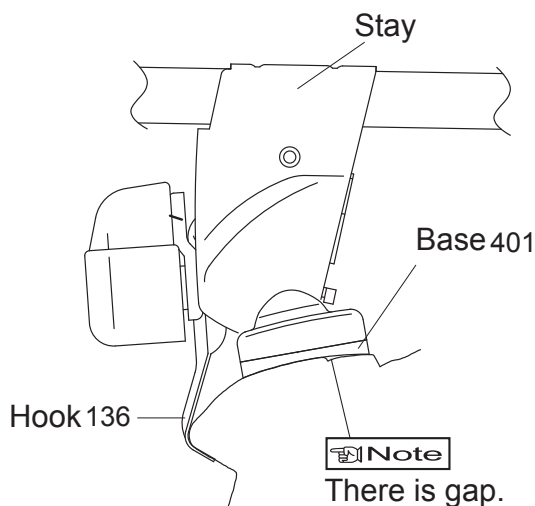


Loosely attach hooks

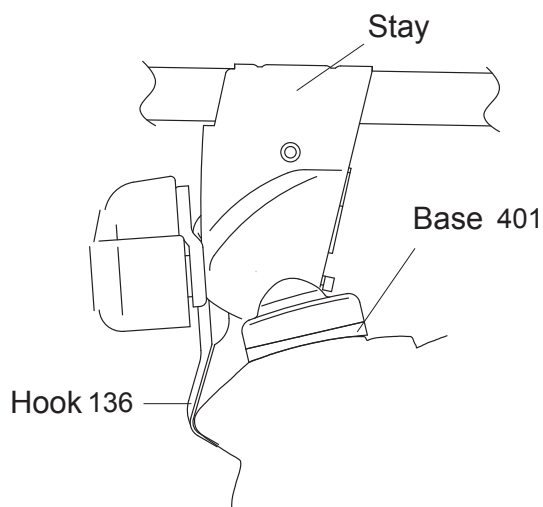
	Hook number
Front hook	136
Rear hook	136

■ Hook / base installation position

Front



Rear



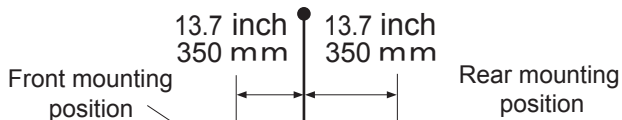
Install Bases

	Base number
Front base	401
Rear base	401

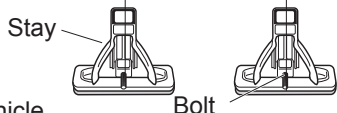
Mounting positions

- Position the stays so that bolts align at specified mounting points.

Gap between front and rear doors



← Front of vehicle



Note

- When knob is tightened, base moves slightly outward to the position illustrated above.

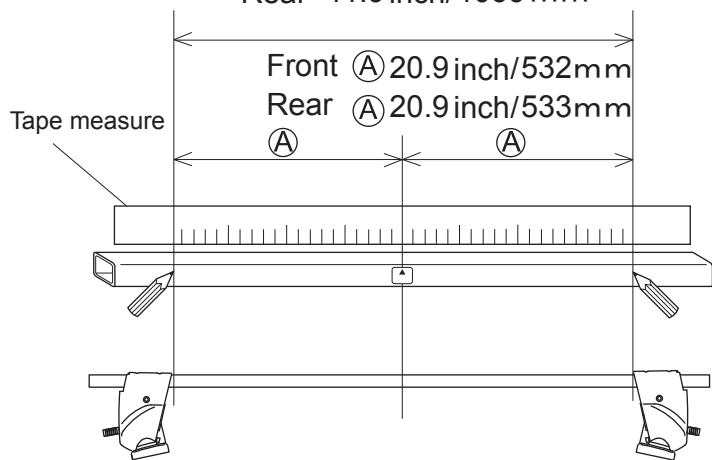
Manufacturer	Model	Type	Year	Maximum loading capacity	Bikes
VOLVO	S80	4 door	1999 -2006	100 lbs ( 45 kg) ( Load + Base rack + Attachments )	2

Maximum loading capacity is 45 kg (100 lbs) for this vehicle type.

Stay interior dimensions

Front 41.8 inch/1064 mm

Rear 41.9 inch/1066 mm

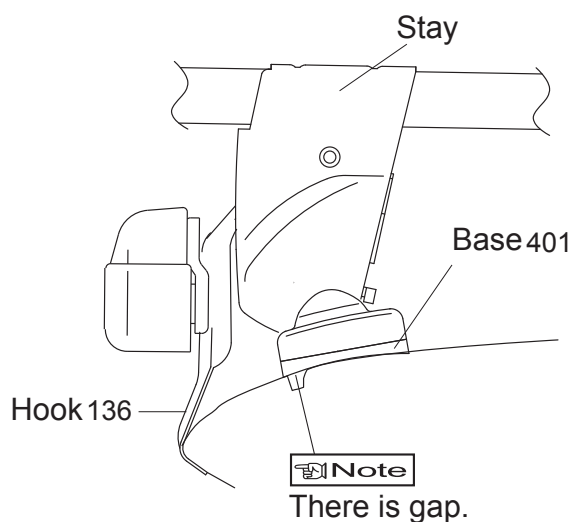


Loosely attach hooks

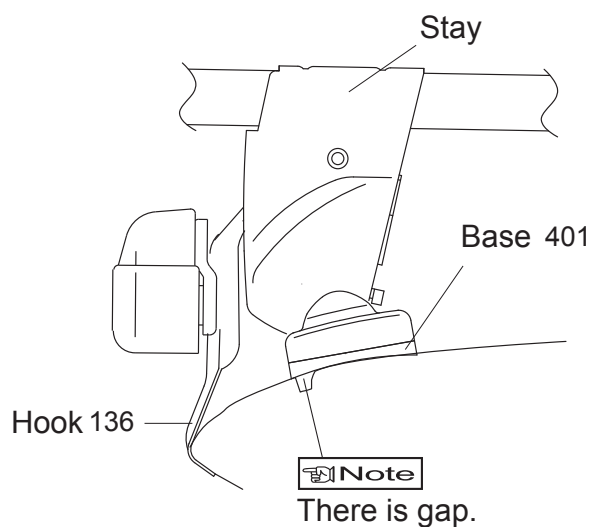
	Hook number
Front hook	136
Rear hook	136

■ Hook / base installation position

Front



Rear



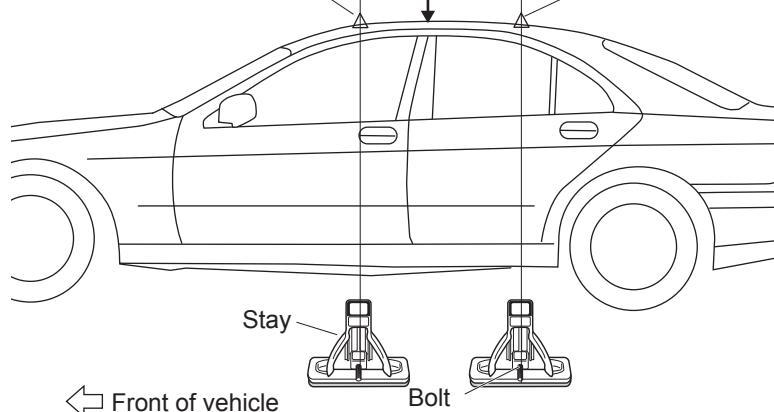
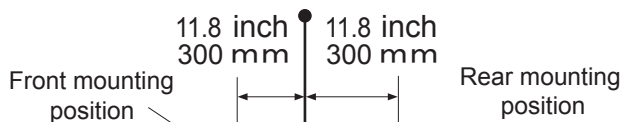
Install Bases

	Base number
Front base	401
Rear base	401

Mounting positions

- Position the stays so that bolts align at specified mounting points.

Gap between front and rear doors



Note

- When knob is tightened, base moves slightly outward to the position illustrated above.

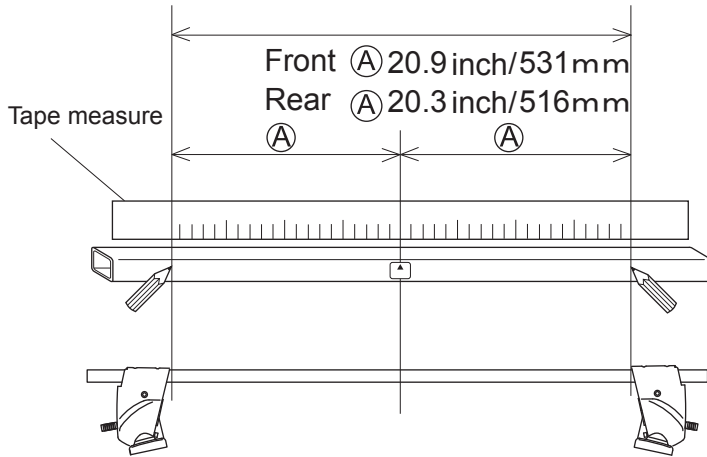
Manufacturer	Model	Type	Year	Maximum loading capacity	Bikes
DAIHATSU	TERIOS	5 door	2012-	120 lbs ( 55 kg) ( Load + Base rack + Attachments )	2

Maximum loading capacity is 55 kg (120 lbs) for this vehicle type.

Stay interior dimensions

Front 41.8 inch/1062 mm

Rear 40.6 inch/1032 mm

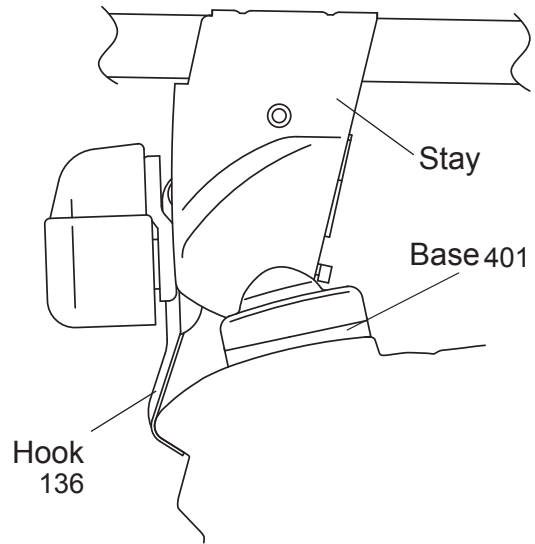


Loosely attach hooks

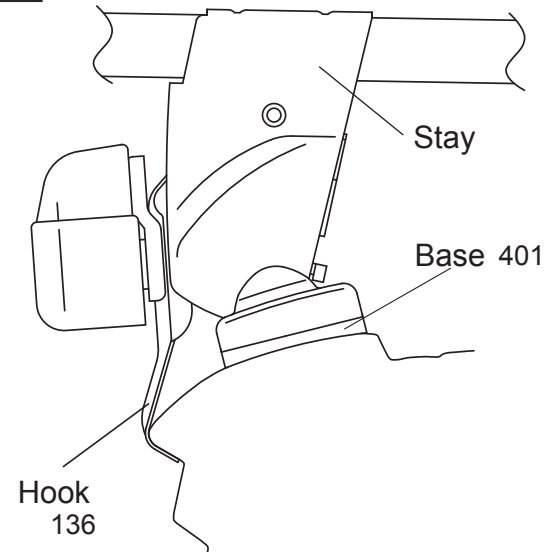
	Hook number
Front hook	136
Rear hook	136

■ Hook / base installation position

Front



Rear

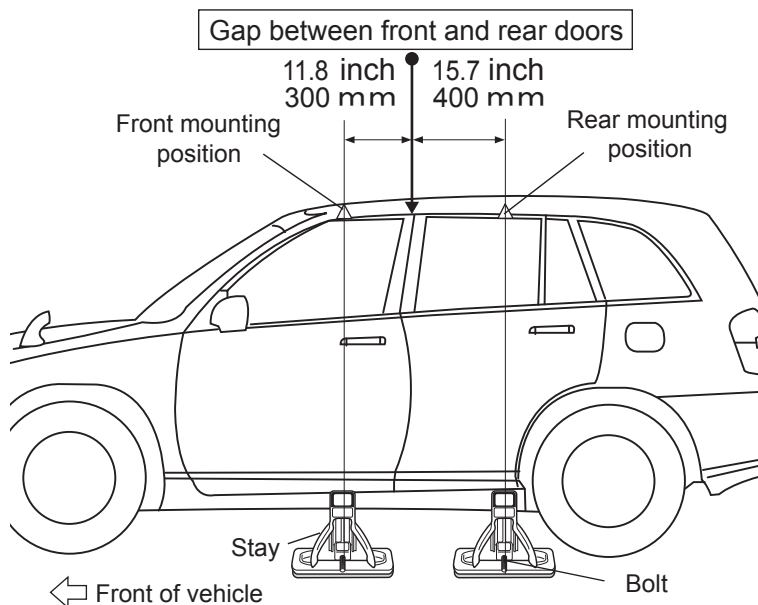


Install Bases

	Base number
Front base	401
Rear base	401

Mounting positions

- Position the stays so that bolts align at specified mounting points.



Note

- When knob is tightened, base moves slightly outward to the position illustrated above.