

SU Fit Hooks K251

Installation Instructions

Before using the Mounting hooks, carefully read the installation instructions as well as the installation instructions for basic carrier systems, and follow all usage instructions. After reading the installation instructions, keep it in a safe place along with the installation instructions for basic carrier systems. If you are to give the mounting hooks to a third person, provide the installation instructions to ensure safe installation and usage.

WARNING

Install hooks correctly at specified positions according to the installation instructions herein and the installation instructions for the applicable carrier system. Installation positions of hooks depend on the vehicle type. If hooks are not installed at specified positions, the carrier may fall and cause accidents.

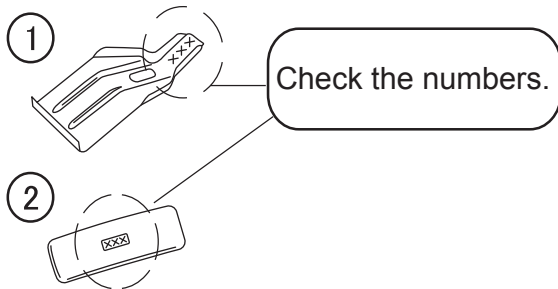
If inappropriate hooks are used, the carrier / attachment may fall and cause accidents. Before driving the vehicle, rock the stays and bars in all directions to ensure that there is no looseness. Retighten any loose knobs or bolts.

Do not use these hooks for attachments of non-specified types. The carrier may fall and cause accidents.

Observe the specified loading conditions. Failure to observe the loading condition may cause the carrier to break or loosen and fall, resulting in accidents.

For INNO dedicated ski & snowboard carriers, read the carrier installation instructions to determine proper mounting locations.

The SU Mounting hooks include the parts listed below. Verify that all of these parts are included in the carrier system you have purchased.



| No. | Part | # of Part | Qty |
|-----|------|-----------|-----|
| 1 | Hook | 123 | 4 |
| 2 | Base | 407 | 4 |

NOTE

The specifications or external appearance of this product or any of the genuine spare parts may be changed for improvement without prior notification.

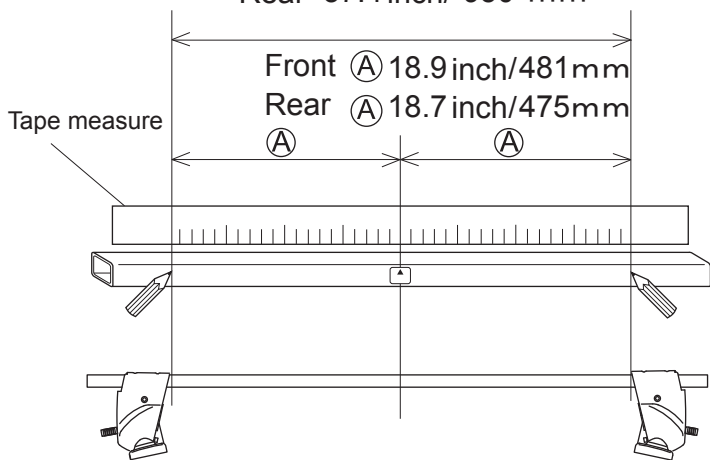
| Manufacturer | Model | Type | Year | Maximum loading capacity | Bikes |
|--------------|-------|--------|-----------|--|-------|
| LEXUS | IS300 | 4 door | 2001-2005 | 140 lbs (64 kg) (Load + Base rack + Attachments) | 3 |

Maximum loading capacity is 64 kg (140 lbs) for this vehicle type.

Stay interior dimensions

Front 37.8 inch/ 962 mm

Rear 37.4 inch/ 950 mm

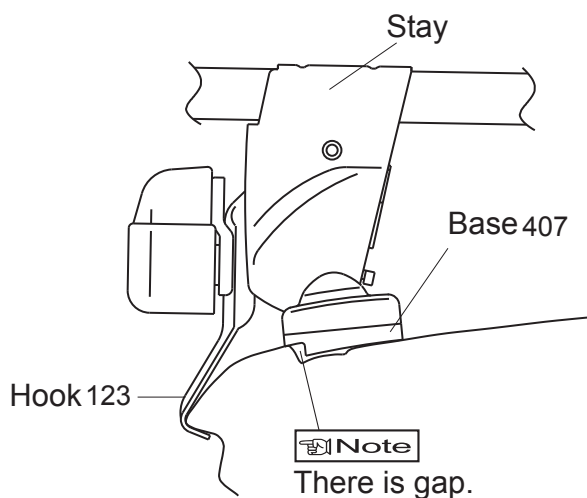


Loosely attach hooks

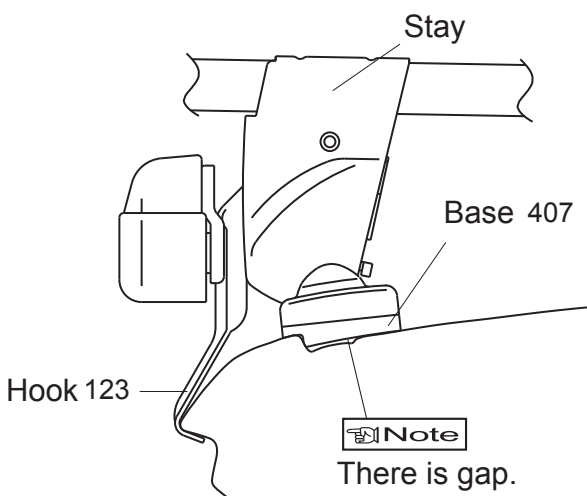
| | Hook number |
|------------|-------------|
| Front hook | 123 |
| Rear hook | 123 |

■ Hook / base installation position

Front



Rear



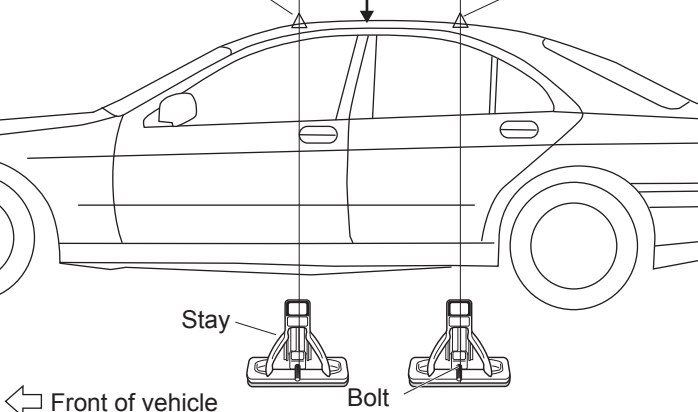
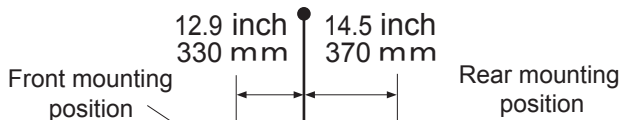
Install Bases

| | Base number |
|------------|-------------|
| Front base | 407 |
| Rear base | 407 |

Mounting positions

● Position the stays so that bolts align at specified mounting points.

Gap between front and rear doors



Note

● When knob is tightened, base moves slightly outward to the position illustrated above.

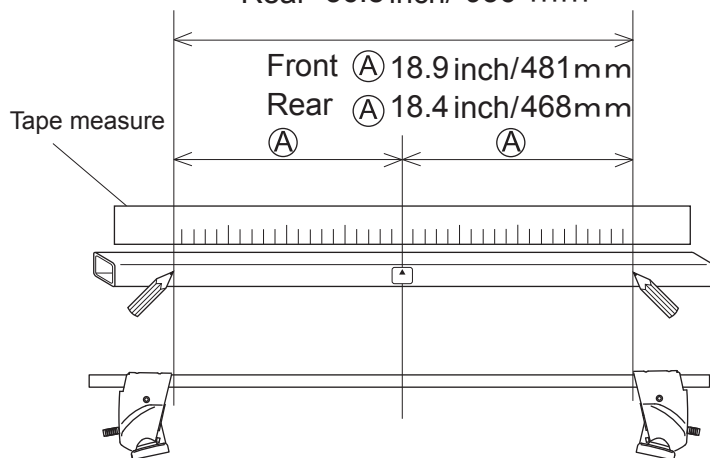
| Manufacturer | Model | Type | Year | Maximum loading capacity | Bikes |
|--------------|-------|-------|---------------|--|-------|
| LEXUS | IS300 | Wagon | 2002 -2005 | 140 lbs (64 kg) (Load + Base rack + Attachments) | 3 |

Maximum loading capacity is 64 kg (140 lbs) for this vehicle type.

Stay interior dimensions

Front 37.8 inch/ 962 mm

Rear 36.8 inch/ 936 mm

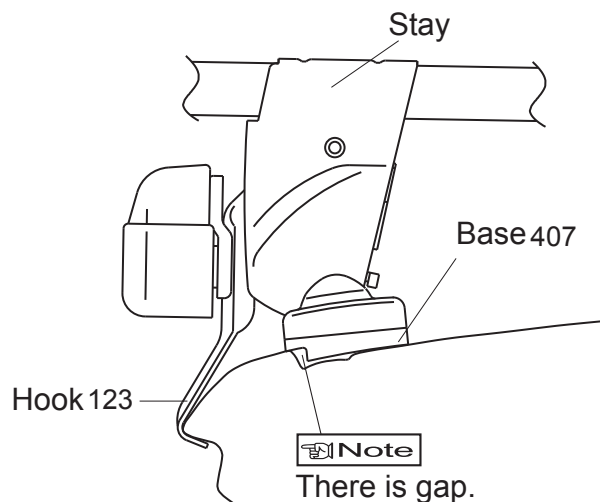


Loosely attach hooks

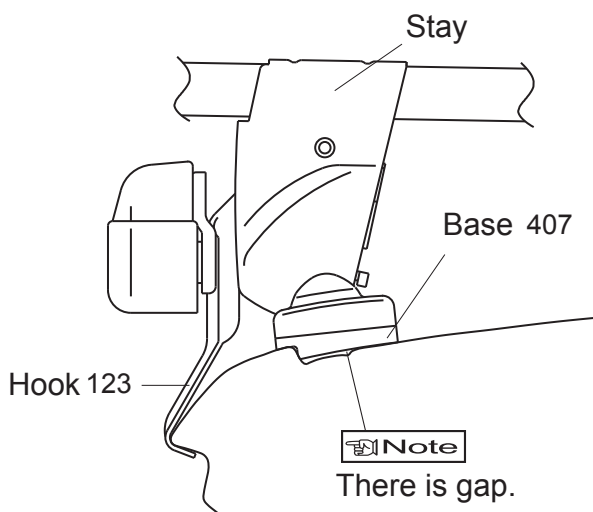
| | Hook number |
|------------|-------------|
| Front hook | 123 |
| Rear hook | 123 |

■ Hook / base installation position

Front



Rear



Note

● When knob is tightened, base moves slightly outward to the position illustrated above.

Install Bases

| | Base number |
|------------|-------------|
| Front base | 407 |
| Rear base | 407 |

Mounting positions

● Position the stays so that bolts align at specified mounting points.

Gap between front and rear doors

