

# SU Fit Hooks K214

## Installation Instructions

Before using the Mounting hooks, carefully read the installation instructions as well as the installation instructions for basic carrier systems, and follow all usage instructions. After reading the installation instructions, keep it in a safe place along with the installation instructions for basic carrier systems. If you are to give the mounting hooks to a third person, provide the installation instructions to ensure safe installation and usage.

### **WARNING**

Install hooks correctly at specified positions according to the installation instructions herein and the installation instructions for the applicable carrier system. Installation positions of hooks depend on the vehicle type. If hooks are not installed at specified positions, the carrier may fall and cause accidents.

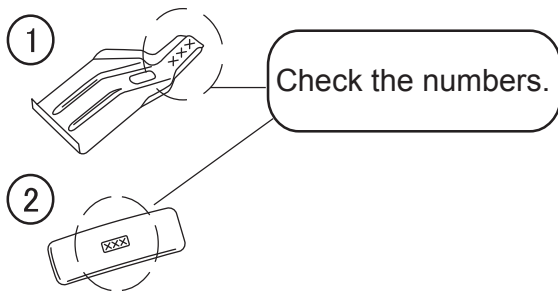
If inappropriate hooks are used, the carrier / attachment may fall and cause accidents. Before driving the vehicle, rock the stays and bars in all directions to ensure that there is no looseness. Retighten any loose knobs or bolts.

Do not use these hooks for attachments of non-specified types. The carrier may fall and cause accidents.

Observe the specified loading conditions. Failure to observe the loading condition may cause the carrier to break or loosen and fall, resulting in accidents.

For INNO dedicated ski & snowboard carriers, read the carrier installation instructions to determine proper mounting locations.

The SU Mounting hooks include the parts listed below. Verify that all of these parts are included in the carrier system you have purchased.



No.	Part	# of Part	Qty
1	Hook	133	4
2	Base	402	4

#### **NOTE**

The specifications or external appearance of this product or any of the genuine spare parts may be changed for improvement without prior notification.

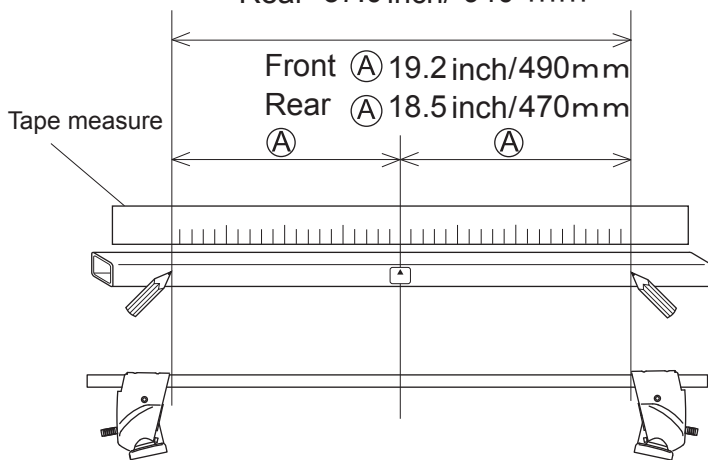
Manufacturer	Model	Type	Year	Maximum loading capacity	Bikes
BUICK	CENTURY	Sedan	1997 -2005	140 lbs ( 64 kg)	3
	REGAL	4 door	1998 -2004	( Load + Base rack + Attachments )	

Maximum loading capacity is 64 kg (140 lbs) for this vehicle type.

Stay interior dimensions

Front 38.5 inch/ 980 mm

Rear 37.0 inch/ 940 mm

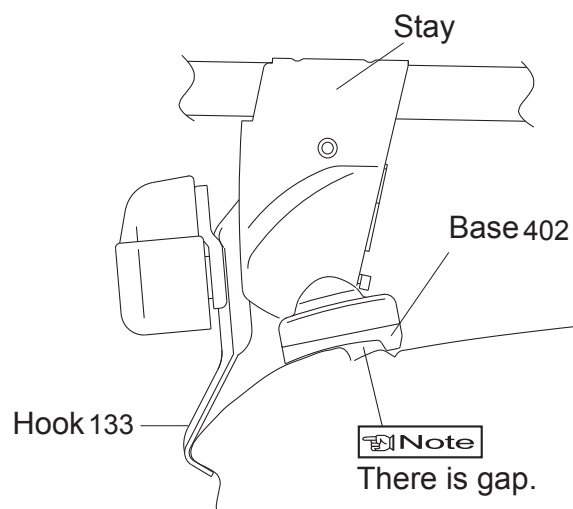


Loosely attach hooks

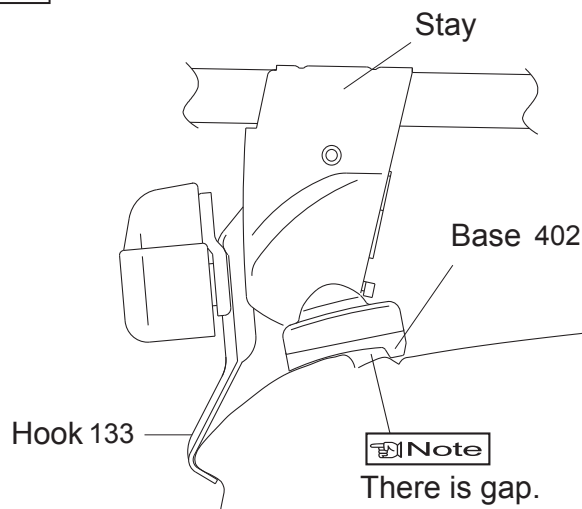
	Hook number
Front hook	133
Rear hook	133

■ Hook / base installation position

Front



Rear



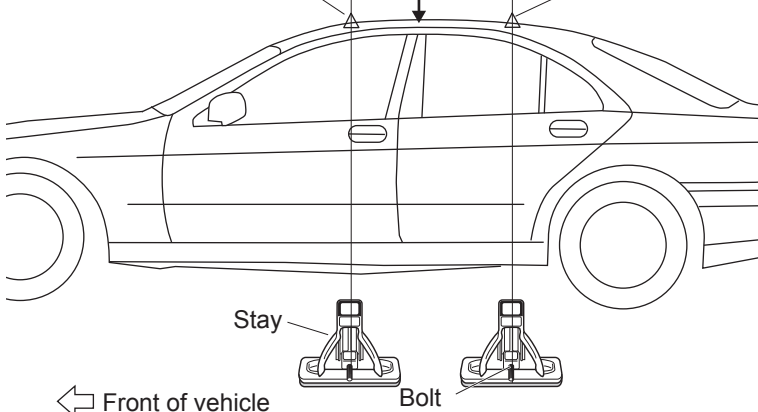
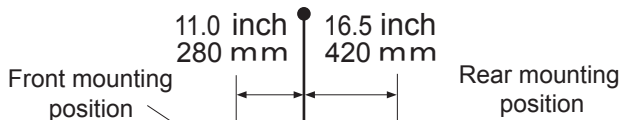
Install Bases

	Base number
Front base	402
Rear base	402

Mounting positions

- Position the stays so that bolts align at specified mounting points.

Gap between front and rear doors



Note

- When knob is tightened, base moves slightly outward to the position illustrated above.

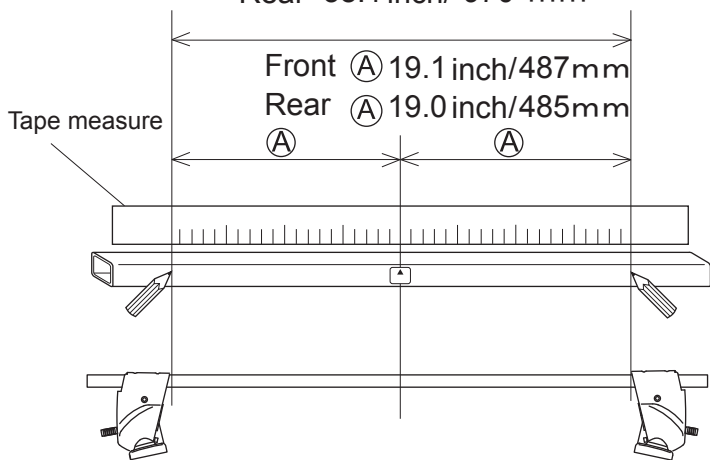
Manufacturer	Model	Type	Year	Maximum loading capacity	Bikes
HYUNDAI	ACCENT	4 door sedan	2006-2011	120 lbs ( 55 kg) ( Load + Base rack + Attachments )	2

Maximum loading capacity is 55 kg (120 lbs) for this vehicle type.

Stay interior dimensions

Front 38.3 inch/ 974 mm

Rear 38.1 inch/ 970 mm

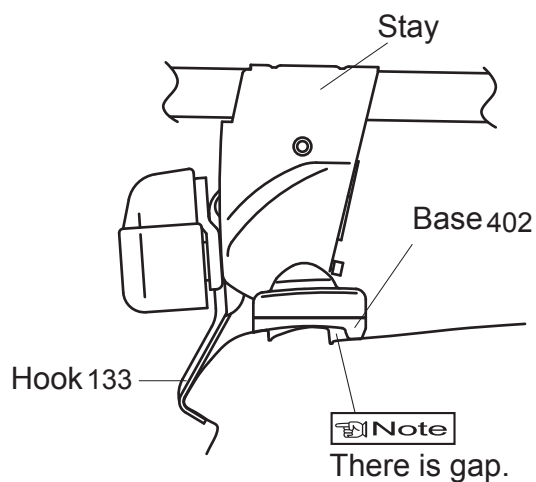


Loosely attach hooks

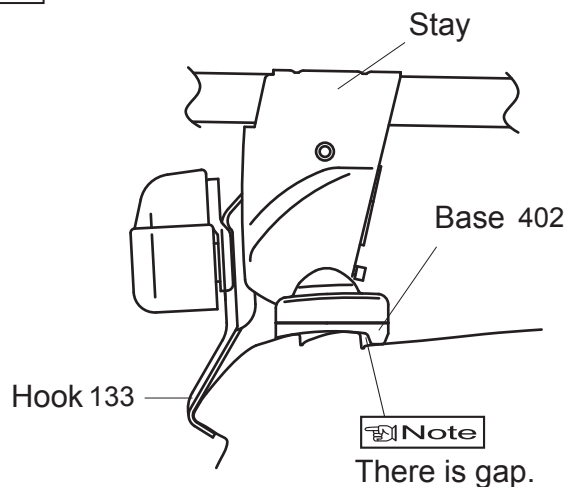
	Hook number
Front hook	133
Rear hook	133

■ Hook / base installation position

Front



Rear



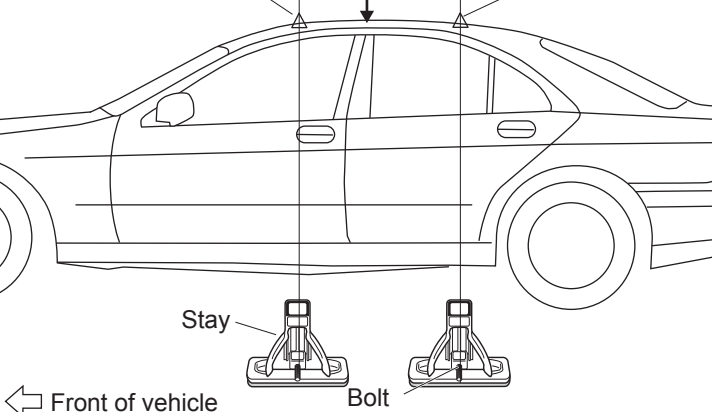
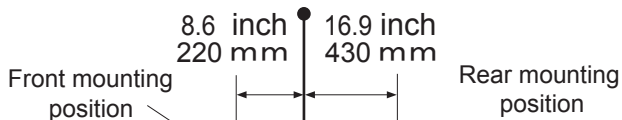
Install Bases

	Base number
Front base	402
Rear base	402

Mounting positions

- Position the stays so that bolts align at specified mounting points.

Gap between front and rear doors



Note

- When knob is tightened, base moves slightly outward to the position illustrated above.

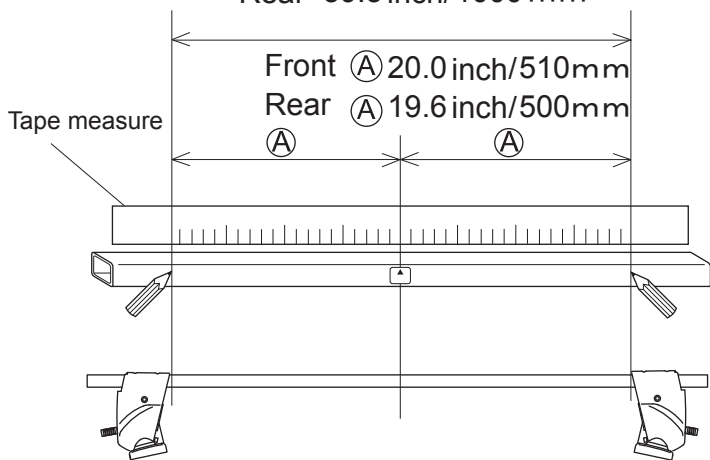
Manufacturer	Model	Type	Year	Maximum loading capacity	Bikes
INFINITI	Q45	4 door sedan	1997-2001	165 lbs ( 75 kg) ( Load + Base rack + Attachments )	4

Maximum loading capacity is 75 kg (165 lbs) for this vehicle type.

Stay interior dimensions

Front 40.1 inch/1020 mm

Rear 39.3 inch/1000 mm

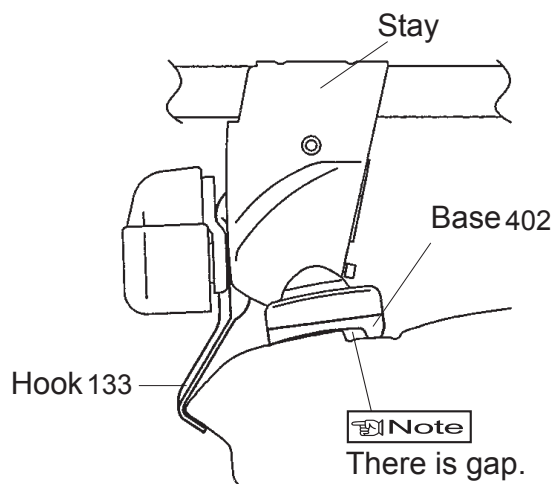


Loosely attach hooks

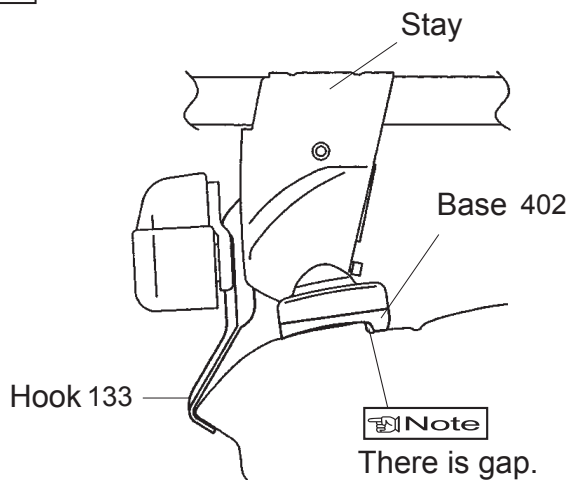
	Hook number
Front hook	133
Rear hook	133

■ Hook / base installation position

Front



Rear



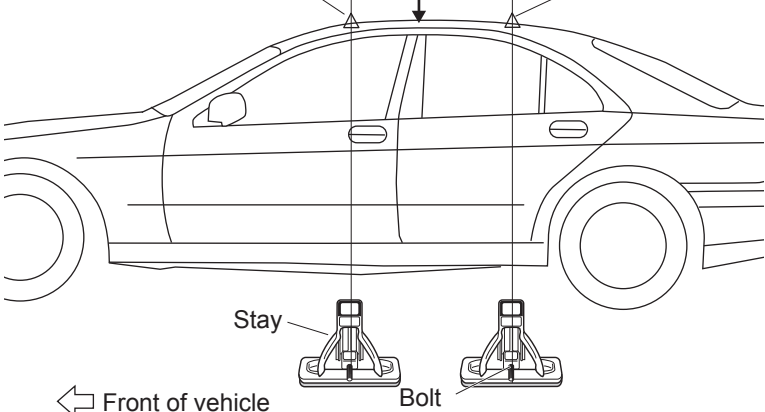
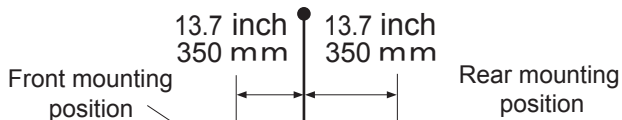
Install Bases

	Base number
Front base	402
Rear base	402

Mounting positions

- Position the stays so that bolts align at specified mounting points.

Gap between front and rear doors



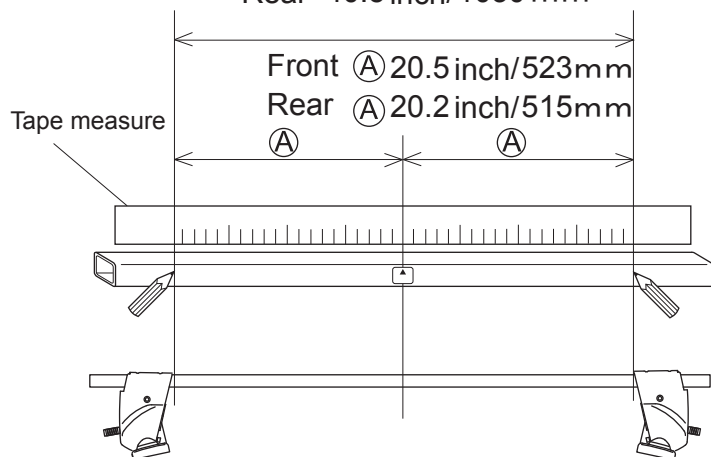
Note

- When knob is tightened, base moves slightly outward to the position illustrated above.

Manufacturer	Model	Type	Year	Maximum loading capacity	Bikes
SATURN	ION	4 door sedan	2003 -2007	100 lbs ( 45 kg)  ( Load + Base rack + Attachments )	2

Maximum loading capacity is 45 kg (100 lbs) for this vehicle type.

Stay interior dimensions  
 Front 41.1 inch/1046 mm  
 Rear 40.5 inch/1030 mm



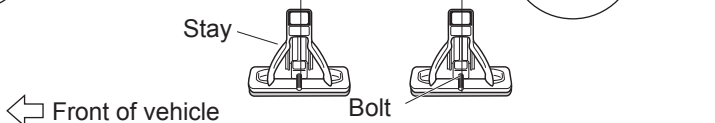
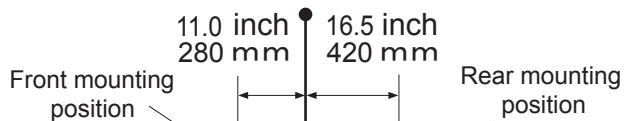
**Install Bases**

	Base number
Front base	402
Rear base	402

**Mounting positions**

- Position the stays so that bolts align at specified mounting points.

Gap between front and rear doors

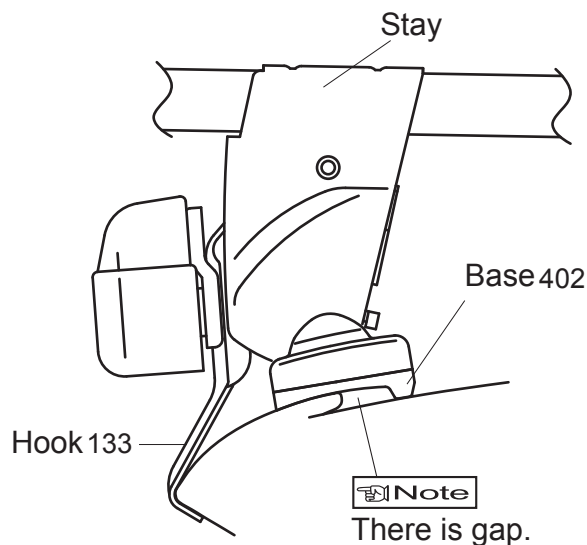


**Loosely attach hooks**

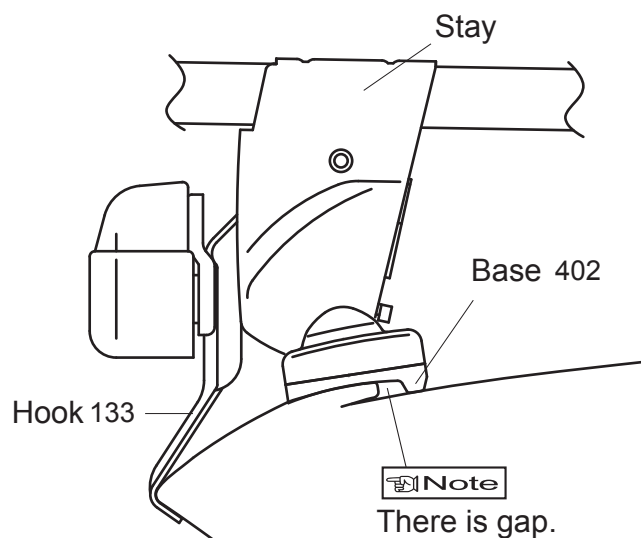
	Hook number
Front hook	133
Rear hook	133

- Hook / base installation position

**Front**



**Rear**



**Note**

- When knob is tightened, base moves slightly outward to the position illustrated above.

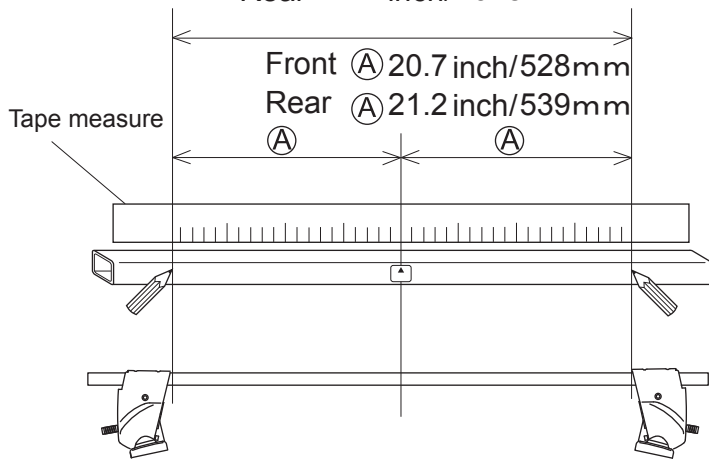
Manufacturer	Model	Type	Year	Maximum loading capacity	Bikes
HONDA	ACCORD	Coupe	2008-2012	80 lbs ( 36 kg) ( Load + Base rack + Attachments )	2

Maximum loading capacity is 36 kg ( 80 lbs) for this vehicle type.

Stay interior dimensions

Front 41.5 inch/1056 mm

Rear 42.4 inch/1078 mm

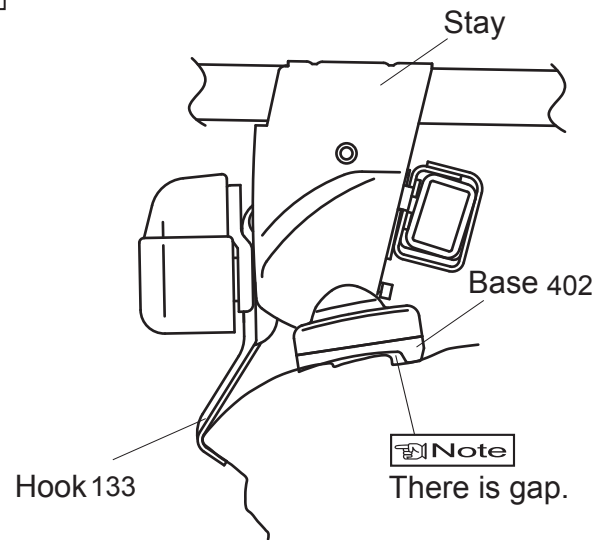


Loosely attach hooks

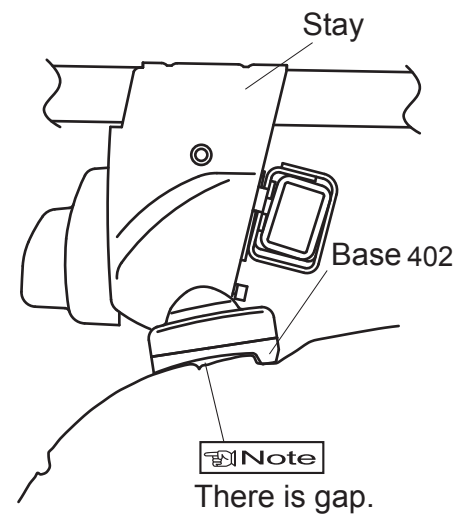
	Hook number
Front hook	133
Center hook	133

■ Hook / base installation position

Front



Rear

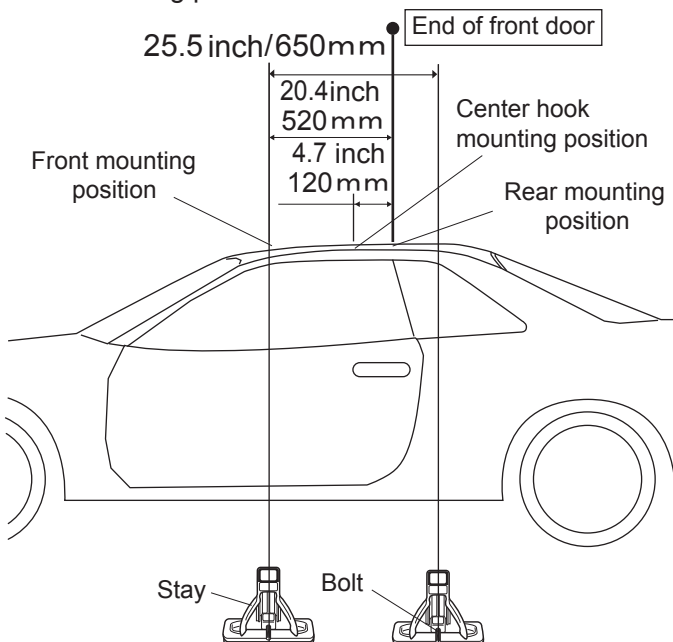


Install Bases

	Base number
Front base	402
Rear base	402

Mounting positions

● Position the stays so that bolts align at specified mounting points.



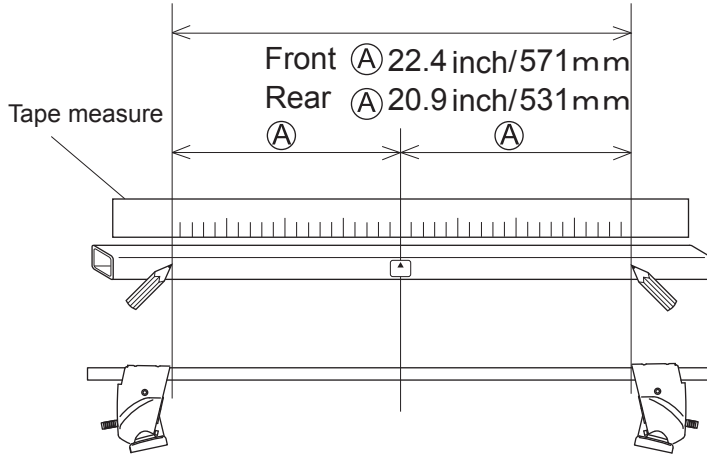
Note

- Hook mounting position for center hook is the same as front hook.
- When knob is tightened, base moves slightly outward to the position illustrated above.

Manufacturer	Model	Type	Year	Maximum loading capacity	Bikes
HONDA	ODYSSEY		1999 -2004	120 lbs ( 55 kg)  ( Load + Base rack + Attachments )	2

Maximum loading capacity is 55 kg (120 lbs) for this vehicle type.

Stay interior dimensions  
Front 44.9inch/1142 mm  
Rear 41.8inch/1062 mm

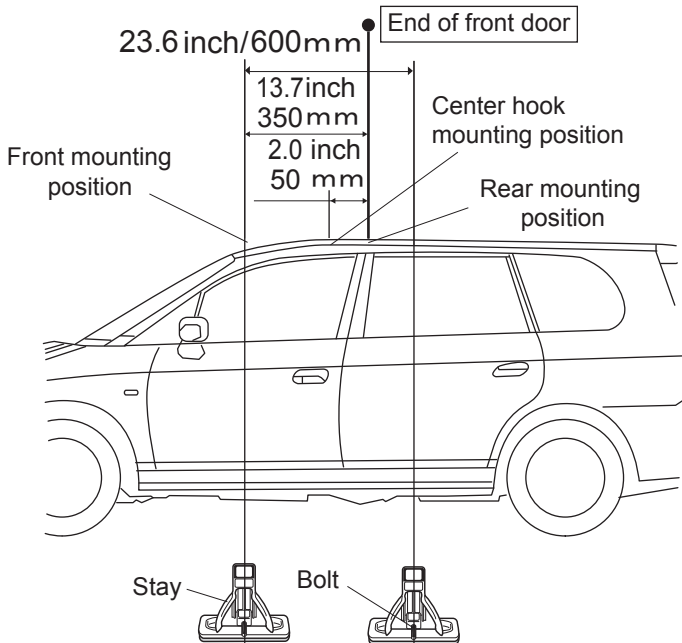


**Install Bases**

	Base number
Front base	402
Rear base	402

**Mounting positions**

- Position the stays so that bolts align at specified mounting points.

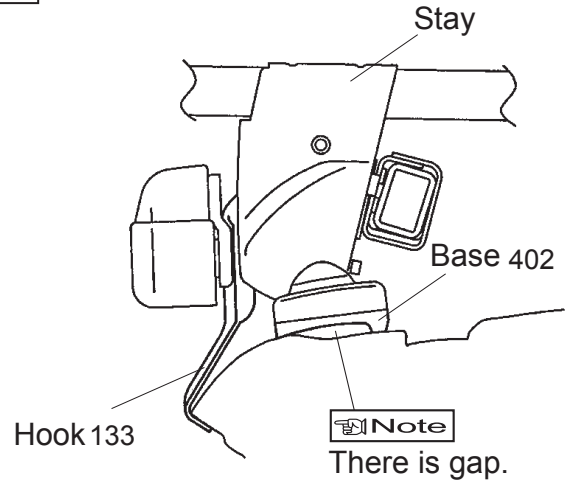


**Loosely attach hooks**

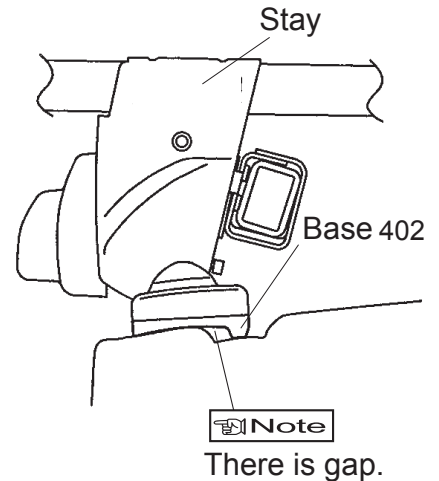
	Hook number
Front hook	133
Center hook	133

- Hook / base installation position

Front



Rear



**Note**

- Hook mounting position for center hook is the same as front hook.
- When knob is tightened, base moves slightly outward to the position illustrated above.

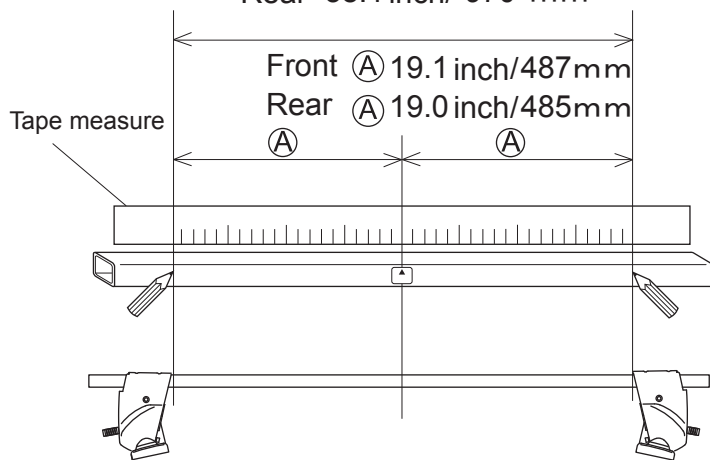
Manufacturer	Model	Type	Year	Maximum loading capacity	Bikes
HYUNDAI	ACCENT	3 door	2006-2011	80 lbs ( 36 kg) ( Load + Base rack + Attachments )	2

Maximum loading capacity is 36 kg ( 80 lbs) for this vehicle type.

Stay interior dimensions

Front 38.3inch/ 974 mm

Rear 38.1inch/ 970 mm

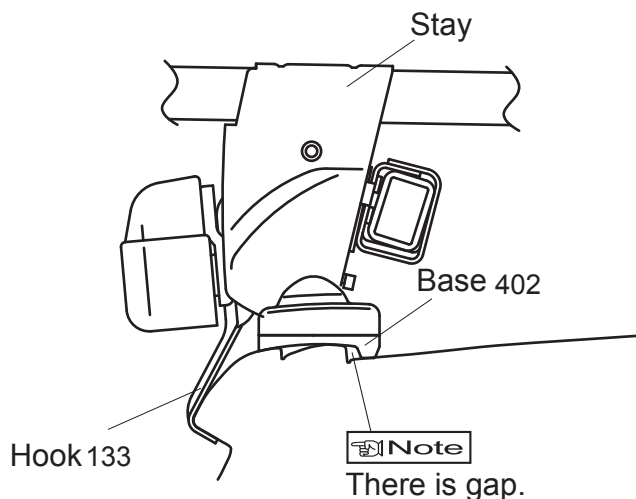


Loosely attach hooks

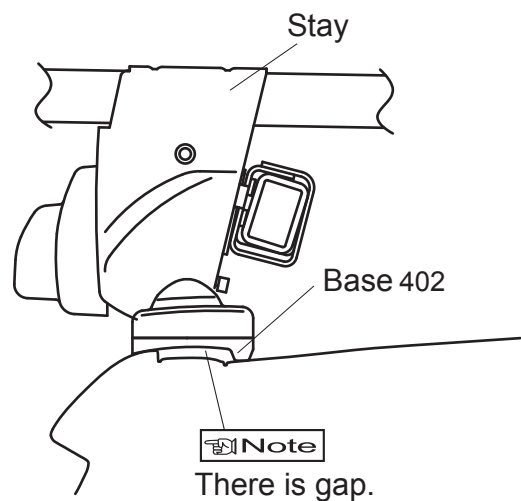
	Hook number
Front hook	133
Center hook	133

■ Hook / base installation position

Front



Rear



Note

- Hook mounting position for center hook is the same as front hook.
- When knob is tightened, base moves slightly outward to the position illustrated above.

Install Bases

	Base number
Front base	402
Rear base	402

Mounting positions

- Position the stays so that bolts align at specified mounting points.

