

SU Fit Hooks K196

Installation Instructions

Before using the Mounting hooks, carefully read the installation instructions as well as the installation instructions for basic carrier systems, and follow all usage instructions. After reading the installation instructions, keep it in a safe place along with the installation instructions for basic carrier systems. If you are to give the mounting hooks to a third person, provide the installation instructions to ensure safe installation and usage.

WARNING

Install hooks correctly at specified positions according to the installation instructions herein and the installation instructions for the applicable carrier system. Installation positions of hooks depend on the vehicle type. If hooks are not installed at specified positions, the carrier may fall and cause accidents.

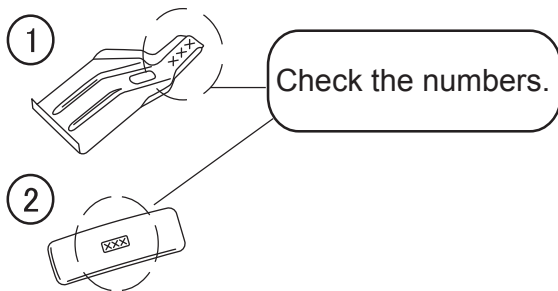
If inappropriate hooks are used, the carrier / attachment may fall and cause accidents. Before driving the vehicle, rock the stays and bars in all directions to ensure that there is no looseness. Retighten any loose knobs or bolts.

Do not use these hooks for attachments of non-specified types. The carrier may fall and cause accidents.

Observe the specified loading conditions. Failure to observe the loading condition may cause the carrier to break or loosen and fall, resulting in accidents.

For INNO dedicated ski & snowboard carriers, read the carrier installation instructions to determine proper mounting locations.

The SU Mounting hooks include the parts listed below. Verify that all of these parts are included in the carrier system you have purchased.



No.	Part	# of Part	Qty
1	Hook	121	4
2	Base	402	4

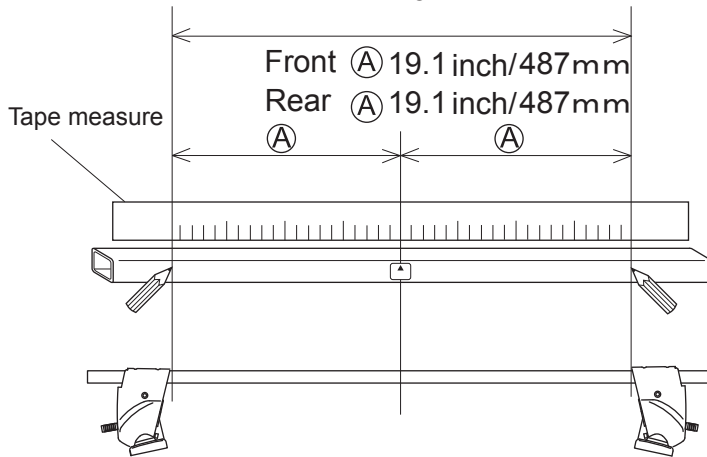
 **NOTE**

The specifications or external appearance of this product or any of the genuine spare parts may be changed for improvement without prior notification.

Manufacturer	Model	Type	Year	Maximum loading capacity	Bikes
SUZUKI	Vitara/Grand Vitara	2 door	1999-2004	120 lbs (55 kg) (Load + Base rack + Attachments)	2

Maximum loading capacity is 55 kg (120lbs) for this vehicle type.

Stay interior dimensions
Front 38.3inch/ 974 mm
Rear 38.3inch/ 974 mm

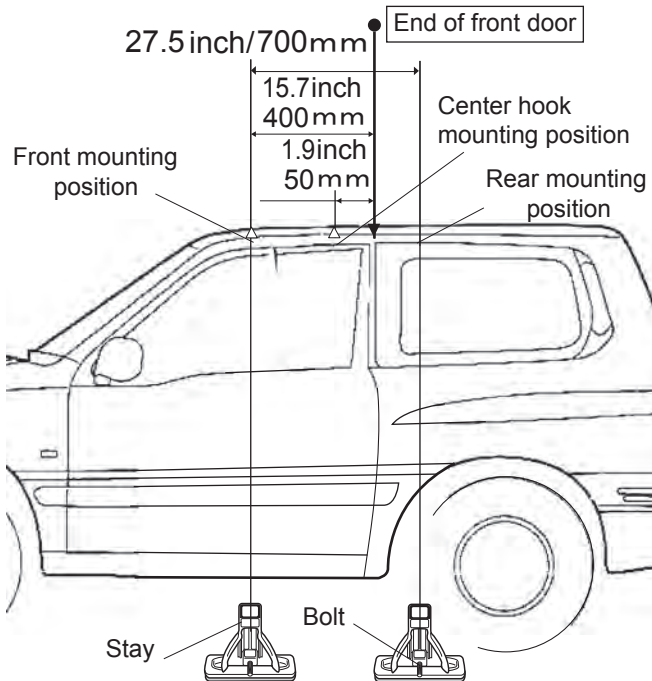


Install Bases

	Base number
Front base	402
Rear base	402

Mounting positions

- Position the stays so that bolts align at specified mounting points.

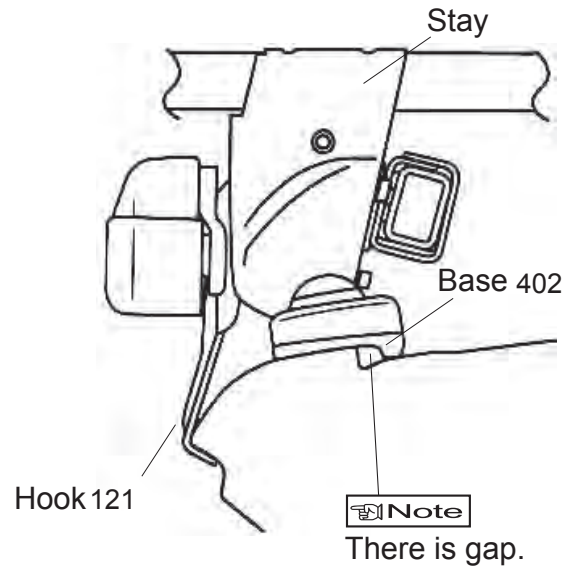


Loosely attach hooks

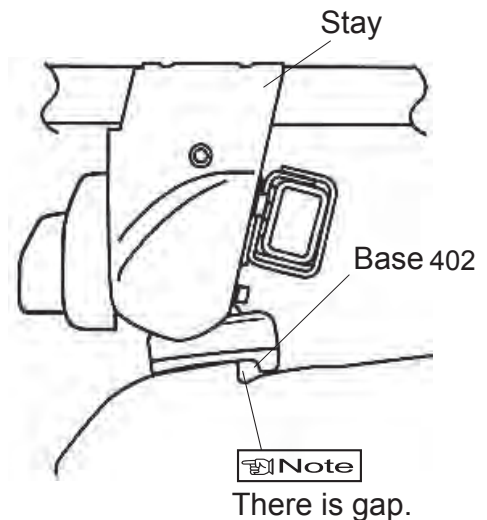
	Hook number
Front hook	121
Center hook	121

- Hook / base installation position

Front



Rear



Note

- Hook installation position for center hook is the same as front carrier.
- When knob is tightened, base moves slightly outward to the position illustrated above.

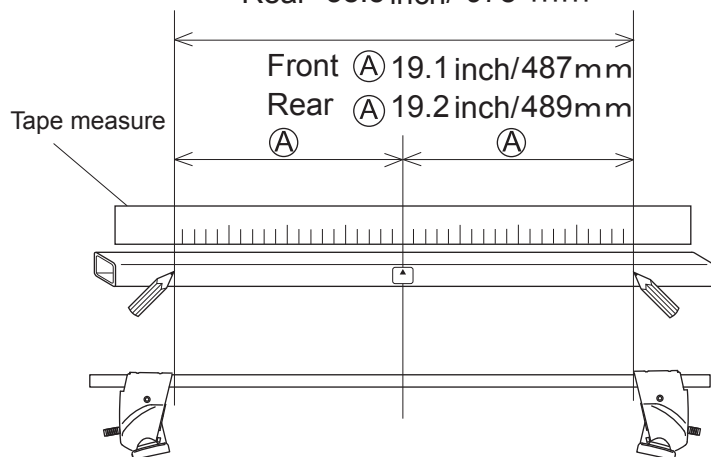
Manufacturer	Model	Type	Year	Maximum loading capacity	Bikes
CHEVROLET	Tracker	4 door	1999-2004	120 lbs (55 kg) (Load + Base rack + Attachments)	3
SUZUKI	Vitara/Grand Vitara				

Maximum loading capacity is 55 kg (120 lbs) for this vehicle type.

Stay interior dimensions

Front 38.3inch/ 974 mm

Rear 38.5inch/ 978 mm

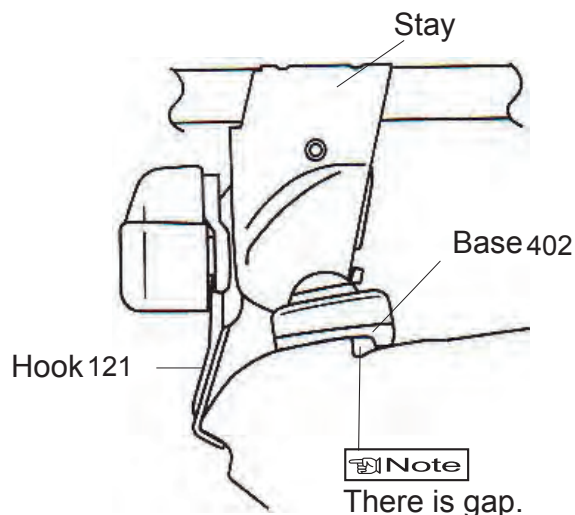


Loosely attach hooks

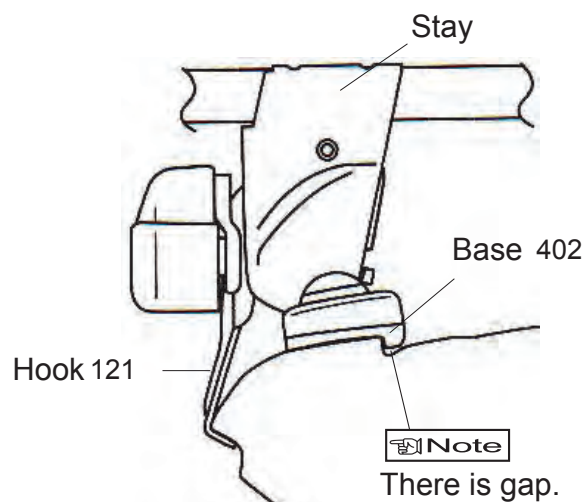
	Hook number
Front hook	121
Rear hook	121

■ Hook / base installation position

Front



Rear



Note

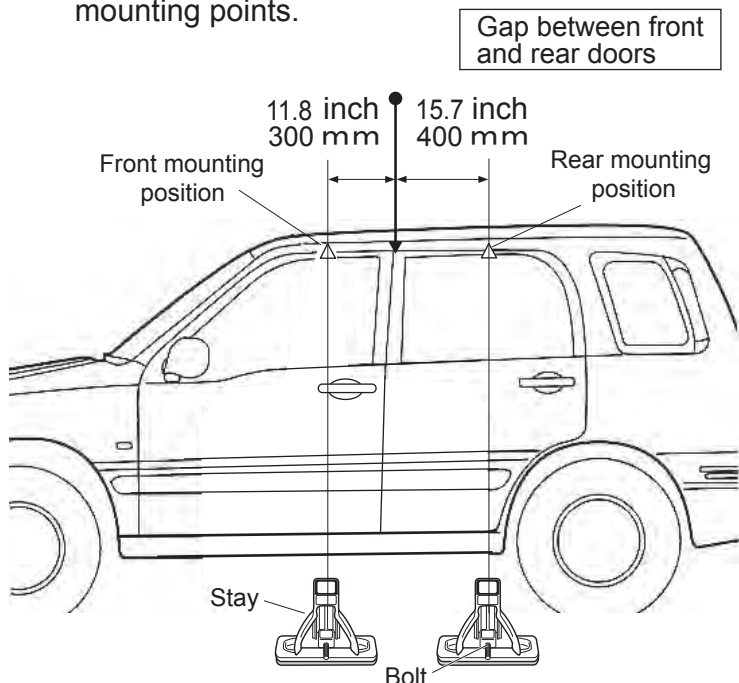
● When knob is tightened, base moves slightly outward to the position illustrated above.

Install Bases

	Base number
Front base	402
Rear base	402

Mounting positions

● Position the stays so that bolts align at specified mounting points.



← Front of vehicle

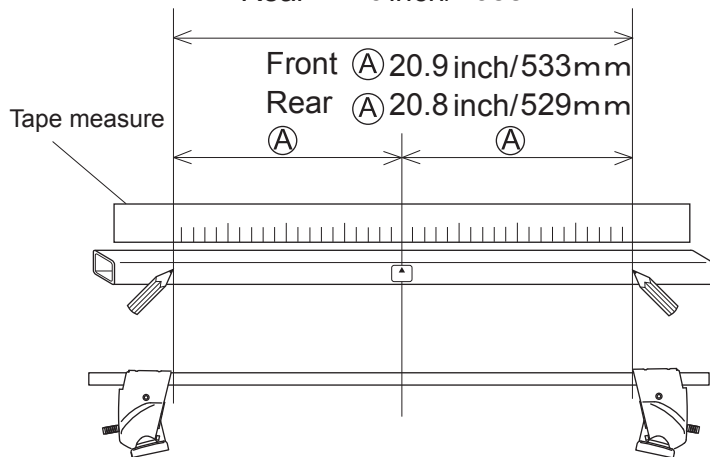
Manufacturer	Model	Type	Year	Maximum loading capacity	Bikes
FORD	Escape	SUV	2008-2012	140 lbs (64 kg)	3
MERCURY	Mariner		2008-2011	(Load + Base rack + Attachments)	

Maximum loading capacity is 64 kg (140 lbs) for this vehicle type.

Stay interior dimensions

Front 41.9 inch/1066 mm

Rear 41.6 inch/1058 mm

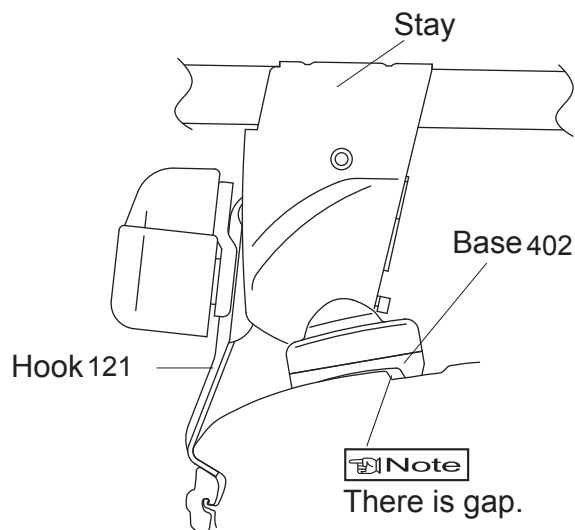


Loosely attach hooks

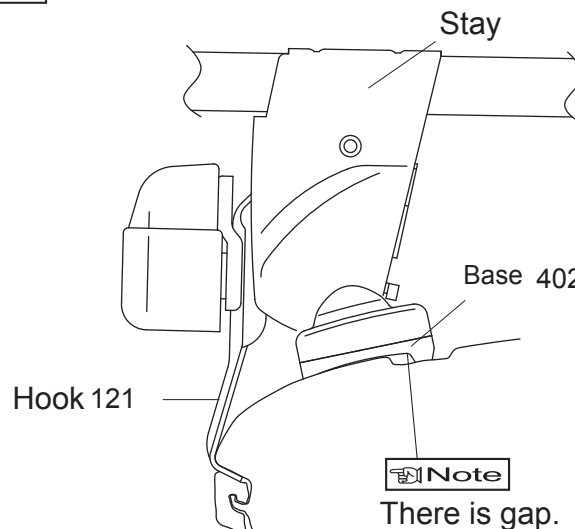
	Hook number
Front hook	121
Rear hook	121

■ Hook / base installation position

Front



Rear



Note

● When knob is tightened, base moves slightly outward to the position illustrated above.

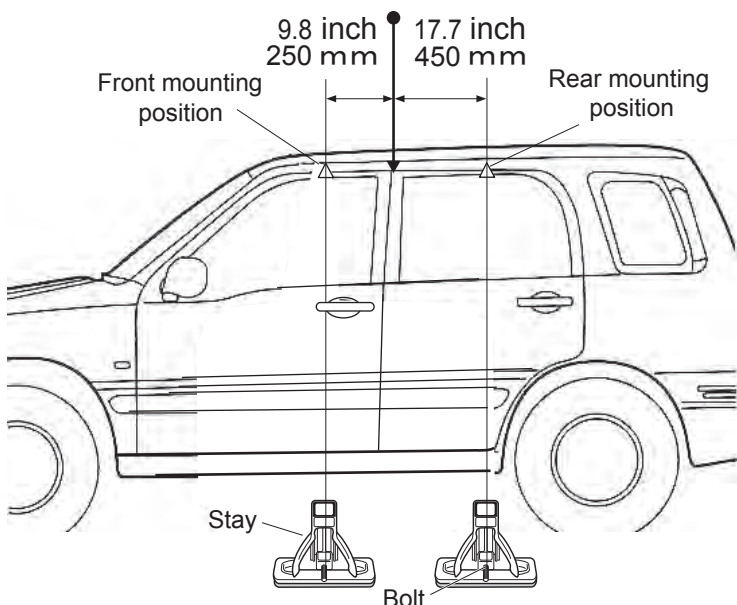
Install Bases

	Base number
Front base	402
Rear base	402

Mounting positions

● Position the stays so that bolts align at specified mounting points.

Gap between front and rear doors



← Front of vehicle

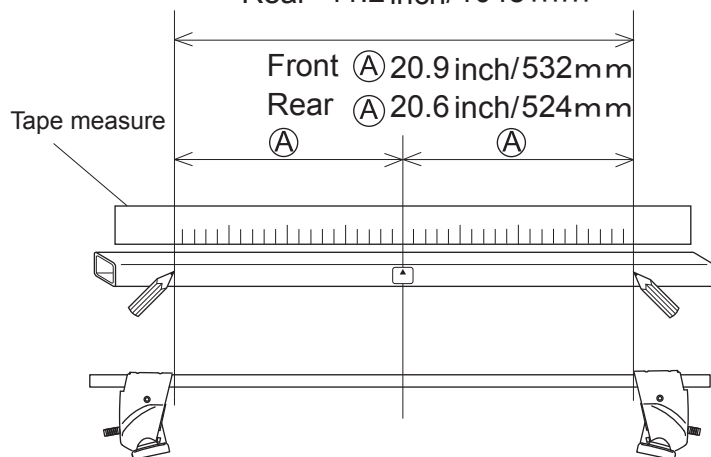
Manufacturer	Model	Type	Year	Maximum loading capacity	Bikes
HONDA	Insight	5 door Hatchback	2010-	140 lbs (64 kg) (Load + Base rack + Attachments)	3

Maximum loading capacity is 64 kg (140 lbs) for this vehicle type.

Stay interior dimensions

Front 41.8 inch/1064 mm

Rear 41.2 inch/1048 mm

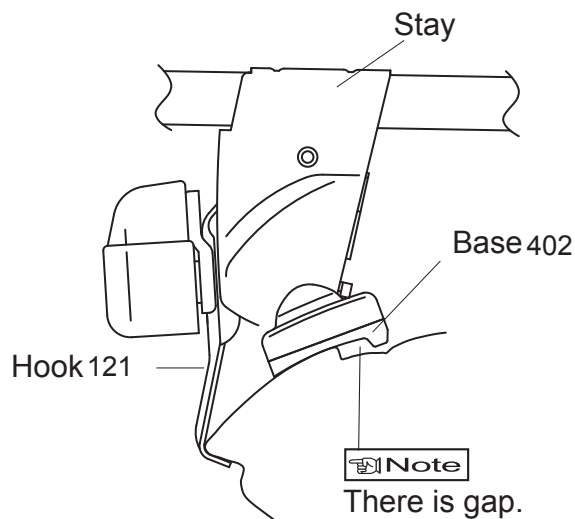


Loosely attach hooks

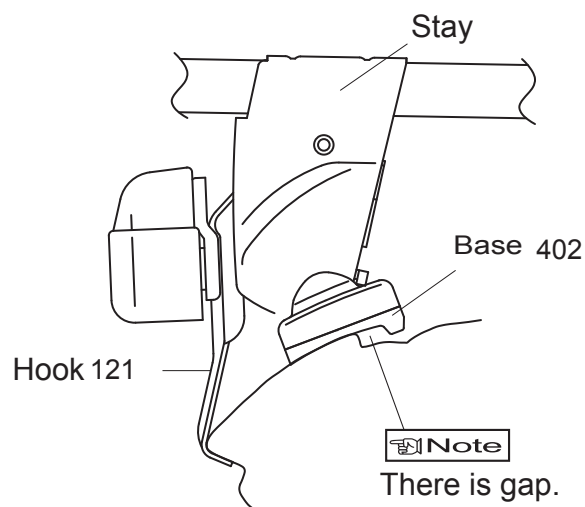
	Hook number
Front hook	121
Rear hook	121

■ Hook / base installation position

Front



Rear



Note

● When knob is tightened, base moves slightly outward to the position illustrated above.

Install Bases

	Base number
Front base	402
Rear base	402

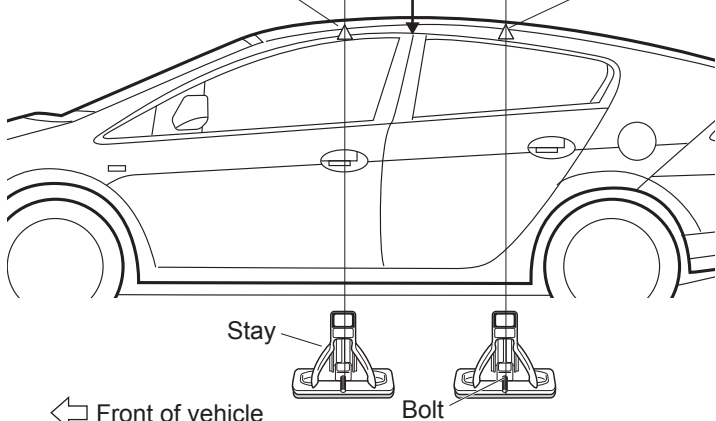
Mounting positions

● Position the stays so that bolts align at specified mounting points.

Gap between front and rear doors

11.8 inch 300 mm
15.7 inch 400 mm

Front mounting position
Rear mounting position



← Front of vehicle