

## Installation Instructions

Before using the Mounting hooks, carefully read the installation instructions as well as the installation instructions for basic carrier systems, and follow all usage instructions. After reading the installation instructions, keep it in a safe place along with the installation instructions for basic carrier systems. If you are to give the mounting hooks to a third person, provide the installation instructions to ensure safe installation and usage. If you have any questions regarding the installation instructions, contact our customer service listed below.

### **WARNING**

Install hooks correctly at specified positions according to the installation instructions herein and the installation instructions for the applicable carrier system. Installation positions of hooks depend on the vehicle type. If hooks are not installed at specified positions, the carrier may fall and cause accidents. If the installation instructions appropriate for your vehicle type are not available, contact our customer service listed below.

Select hooks matching your vehicle by referring to the Fit Guide available at stores or on our website.

If inappropriate hooks are used, the carrier / attachment may fall and cause accidents.

Before driving the vehicle, rock the stays and bars in all directions to ensure that there is no looseness. Retighten any loose knobs or bolts.

Do not use these hooks for attachments of non-specified types.

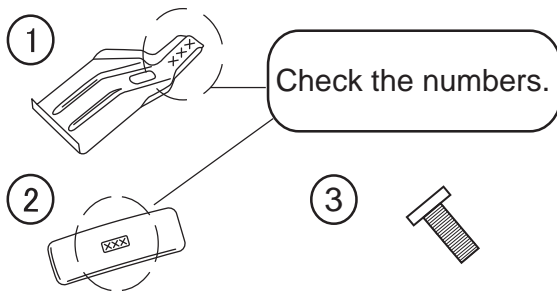
The carrier may fall and cause accidents.

Observe the specified loading conditions.

Failure to observe the loading condition may cause the carrier to break or loosen and fall, resulting in accidents.

For INNO dedicated ski & snowboard carriers, read the carrier installation instructions to determine proper mounting locations.

The SU Mounting hooks include the parts listed below. Verify that all of these parts are included in the carrier system you have purchased. In the event any of these parts are missing, contact our customer service listed below.



No.	Part	# of Part	Qty
1	Hook	049	4
2	Base	401	4
3	Screw		4

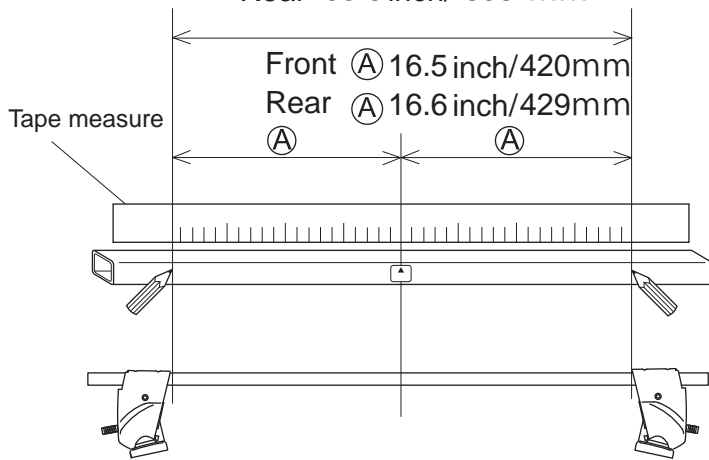
#### **NOTE**

The specifications or external appearance of this product or any of the genuine spare parts may be changed for improvement without prior notification.

Manufacturer	Model	Type	Year	Maximum loading capacity	Bikes
BMW	3 SERIES	2 door	2000 -2006	140 lbs ( 64 kg) ( Load + Base rack + Attachments )	3

Maximum loading capacity is 64 kg (140 lbs) for this vehicle type.

Stay interior dimensions  
 Front 38.0inch/ 840 mm  
 Rear 33.8inch/ 858 mm

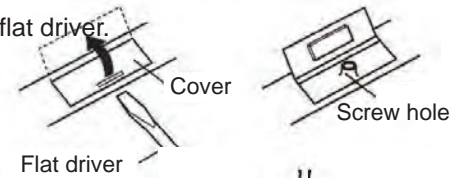


**Loosely attach hooks**

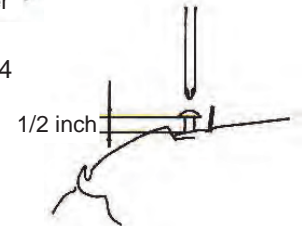
	Hook number
Front hook	049
Rear hook	049

**Preparation for installation**

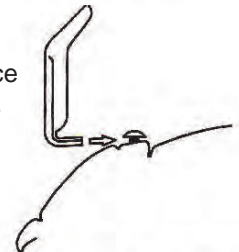
Open the cover with flat driver.



Put 4 screws that come with into 4 holes on the roof and tighten 4 screws until space between head of screw and roof should be 1/2 inch.



Slot the groove of hook into space between head of screw and roof.



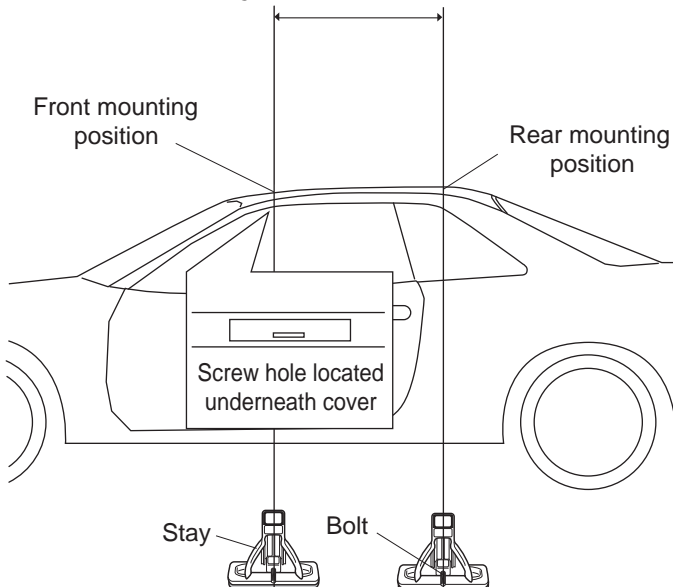
**Install Bases**

	Base number
Front base	401
Rear base	401

**Mounting positions**

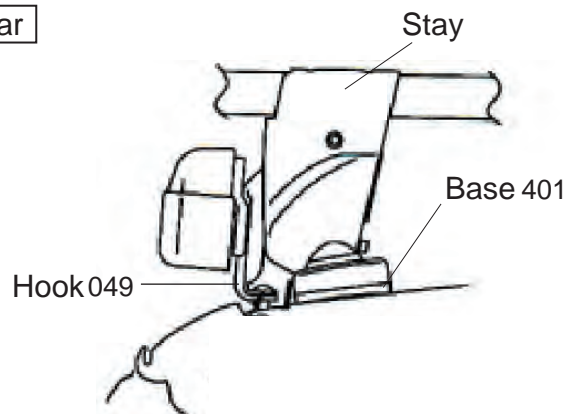
Installation of this car would use screw hole for racks on the roof.

28.7 inch/730mm



Front

Rear



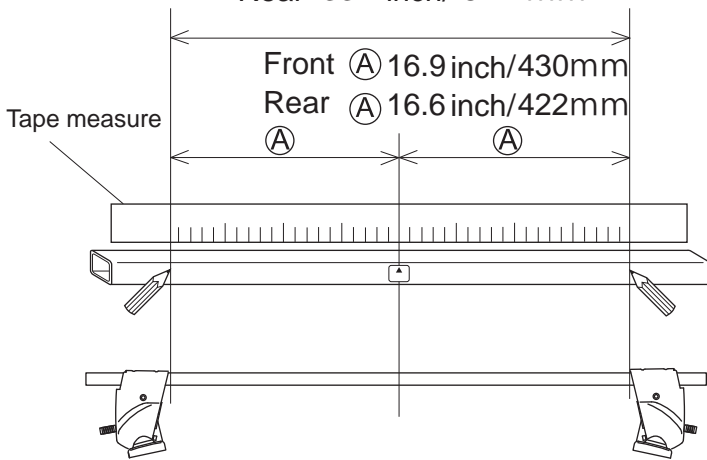
**Note**

- Base installation position for rear carrier is the same as front carrier.
- When knob is tightened, base moves slightly outward to the position illustrated above.

Manufacturer	Model	Type	Year	Maximum loading capacity	Bikes
BMW	3 SERIES	4 door	1999 -2005	140 lbs ( 64 kg) ( Load + Base rack + Attachments )	3

Maximum loading capacity is 64 kg (140 lbs) for this vehicle type.

Stay interior dimensions  
Front 33.8inch/ 860 mm  
Rear 33.2inch/ 844 mm

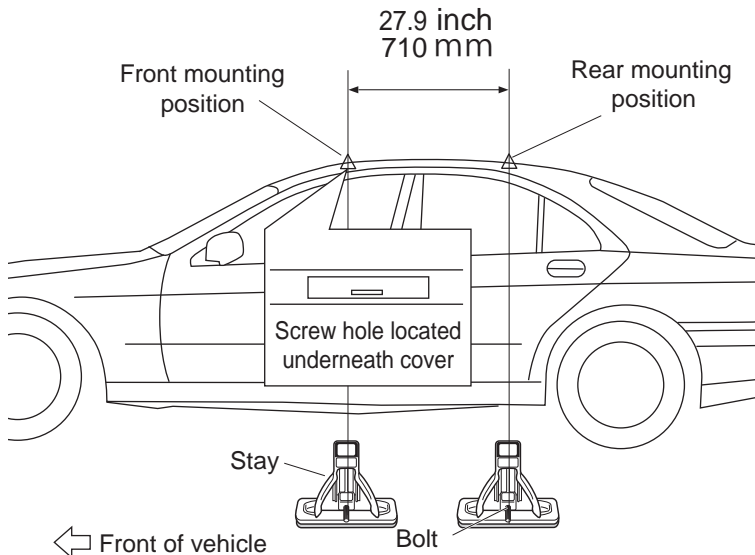


**Install Bases**

	Base number
Front base	401
Rear base	401

**Mounting positions**

- Installation of this car would use screw hole for racks on the roof.

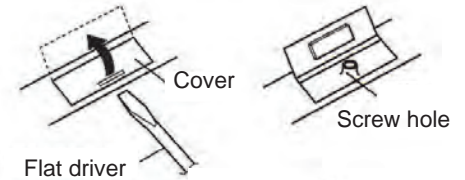


**Loosely attach hooks**

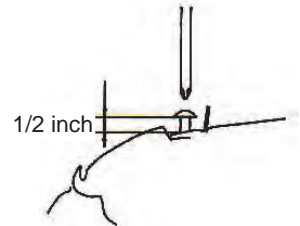
	Hook number
Front hook	049
Rear hook	049

■ Preparation for installation

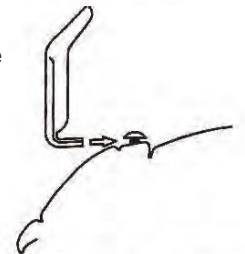
Open the cover with flat driver.



Put 4 screws that come with into 4 holes on the roof and tighten 4 screws until space between head of screw and roof should be 1/2 inch.



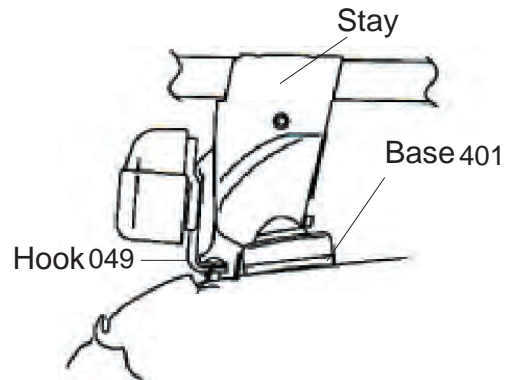
Slot the groove of hook into space between head of screw and roof.



■ Hook / base installation position

Front

Rear



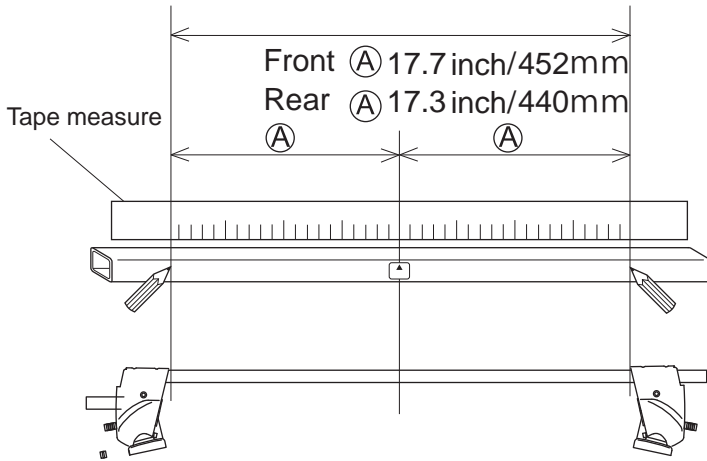
**Note**

- When knob is tightened, base moves slightly outward to the position illustrated above.

Manufacturer	Model	Type	Year	Maximum loading capacity	Bikes
BMW	5 SERIES	4 door	1997 -2003	140 lbs ( 64 kg)  ( Load + Base rack + Attachments )	3

Maximum loading capacity is 64 kg (140 lbs) for this vehicle type.

Stay interior dimensions  
Front 35.5 inch/ 904 mm  
Rear 34.6 inch/ 880 mm

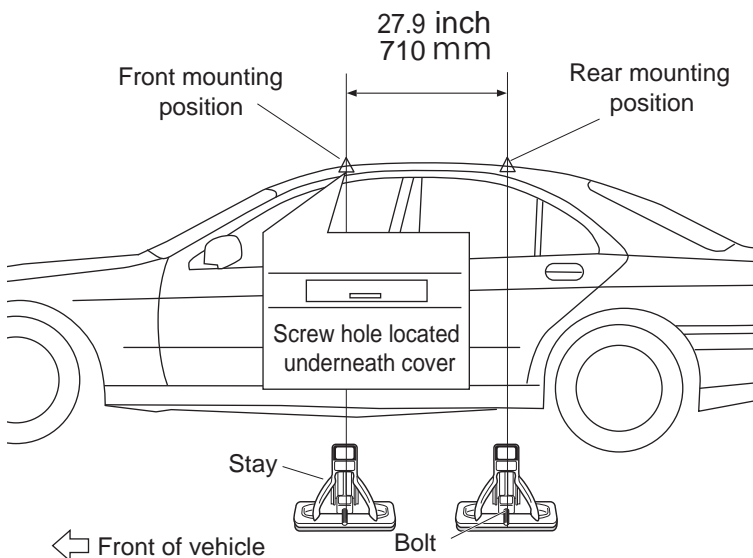


**Install Bases**

	Base number
Front base	401
Rear base	401

**Mounting positions**

- Installation of this car would use screw hole for racks on the roof.

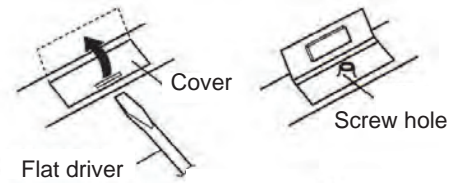


**Loosely attach hooks**

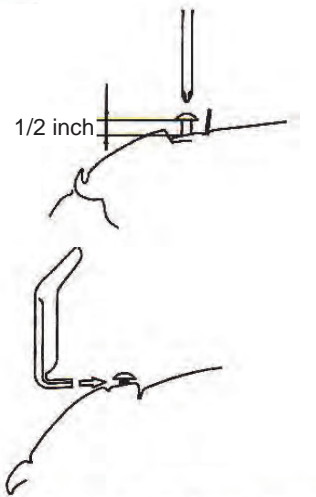
	Hook number
Front hook	049
Rear hook	049

**Preparation for installation**

Open the cover with flat driver.



Put 4 screws that come with into 4 holes on the roof and tighten 4 screws until space between head of screw and roof should be 1/2 inch.

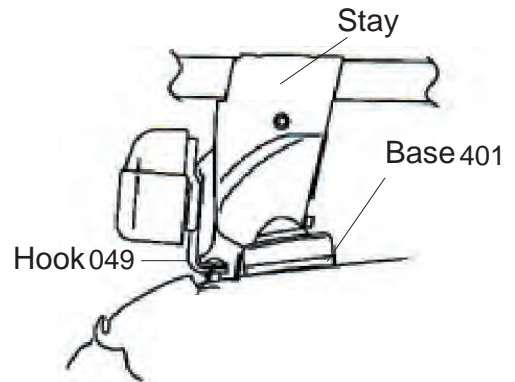


Slot the groove of hook into space between head of screw and roof.

**Hook / base installation position**

Front

Rear



**Note**

- When knob is tightened, base moves slightly outward to the position illustrated above.