

# SU Fit Hooks K172

## Installation Instructions

Before using the Mounting hooks, carefully read the installation instructions as well as the installation instructions for basic carrier systems, and follow all usage instructions. After reading the installation instructions, keep it in a safe place along with the installation instructions for basic carrier systems. If you are to give the mounting hooks to a third person, provide the installation instructions to ensure safe installation and usage.

### **WARNING**

Install hooks correctly at specified positions according to the installation instructions herein and the installation instructions for the applicable carrier system. Installation positions of hooks depend on the vehicle type. If hooks are not installed at specified positions, the carrier may fall and cause accidents.

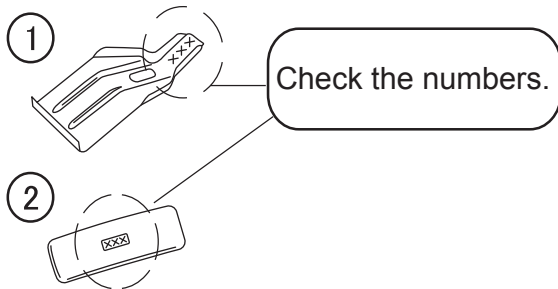
If inappropriate hooks are used, the carrier / attachment may fall and cause accidents. Before driving the vehicle, rock the stays and bars in all directions to ensure that there is no looseness. Retighten any loose knobs or bolts.

Do not use these hooks for attachments of non-specified types. The carrier may fall and cause accidents.

Observe the specified loading conditions. Failure to observe the loading condition may cause the carrier to break or loosen and fall, resulting in accidents.

For INNO dedicated ski & snowboard carriers, read the carrier installation instructions to determine proper mounting locations.

The SU Mounting hooks include the parts listed below. Verify that all of these parts are included in the carrier system you have purchased.



No.	Part	# of Part	Qty
1	Hook	142	4
2	Base	402	2
		411	2

#### **NOTE**

The specifications or external appearance of this product or any of the genuine spare parts may be changed for improvement without prior notification.

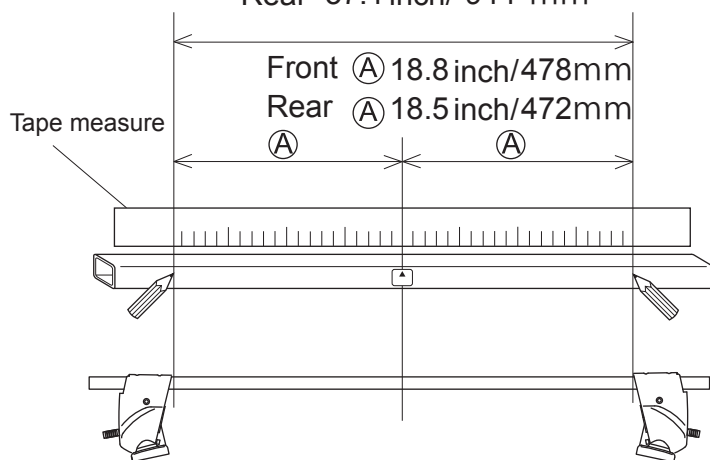
Manufacturer	Model	Type	Year	Maximum loading capacity	Bikes
ACURA	TL	4 door sedan	1995 -1998	140 lbs ( 64 kg) ( Load + Base rack + Attachments )	3

Maximum loading capacity is  
64 kg (140 lbs) for this vehicle type.

Stay interior dimensions

Front 37.6 inch/ 956 mm

Rear 37.1 inch/ 944 mm



### Install Bases

	Base number
Front base	411
Rear base	402

### Mounting positions

- Position the stays so that bolts align at specified mounting points.

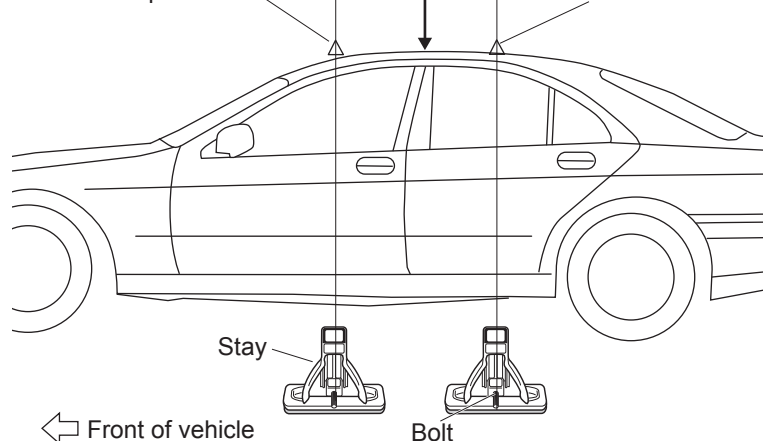
Gap between front  
and rear doors

13.3 inch  
340 mm

9.8 inch  
250 mm

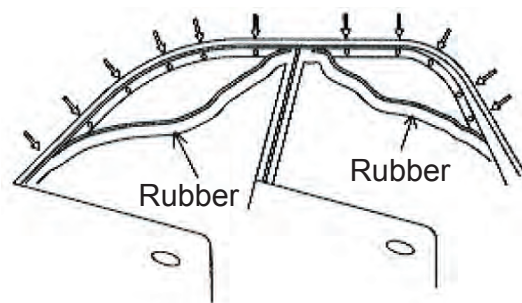
Front mounting  
position

Rear mounting  
position

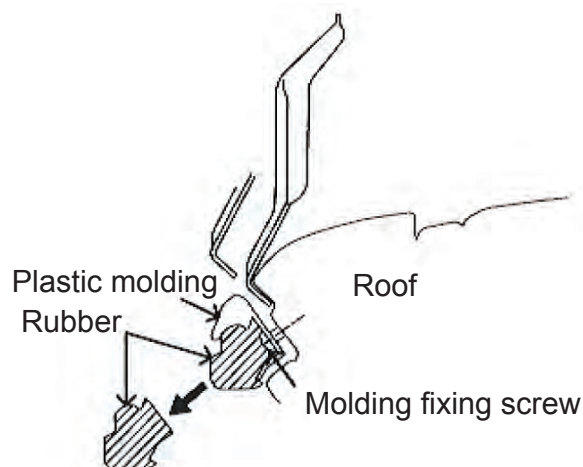


### Preparation for Hook Installation

Installation for this vehicle requires the  
Phillips head screwdriver.



### Enlarged Sectional View



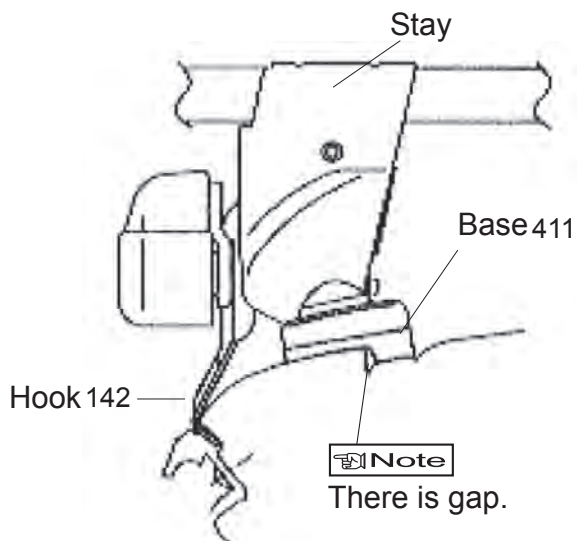
1. Open the door, and pull the rubber attached to the plastic molding away from the roof, so screws are exposed. Loosen all screws that fix the plastic molding to the roof. There are 6 screws in the front side of the vehicle, and 5 screws in the rear side.
2. Insert the hook between the plastic molding and roof.

### Note

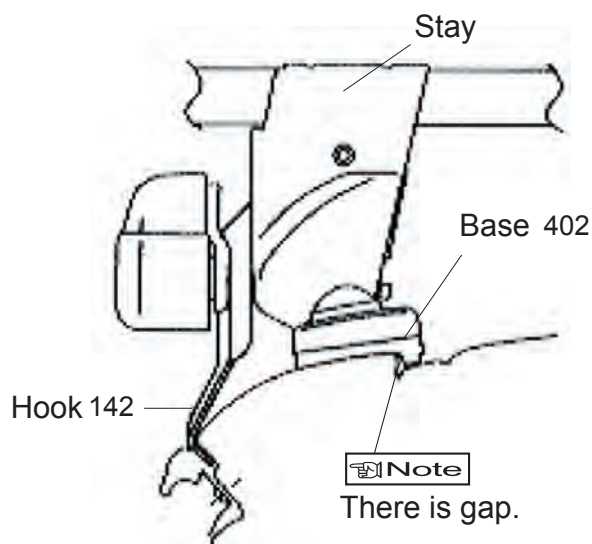
- Please install the hook on the proper place according to the instruction manual; otherwise the plastic molding cannot be fit back in.

■ Hook / base installation position

Front



Rear



Note

- When knob is tightened, base moves slightly outward to the position illustrated above.

3. Tighten screws, and put the rubber back in. There are 6 screws in the front side, and 5 screws in the rear side.

