

# SU Fit Hooks K165

## Installation Instructions

Before using the Mounting hooks, carefully read the installation instructions as well as the installation instructions for basic carrier systems, and follow all usage instructions. After reading the installation instructions, keep it in a safe place along with the installation instructions for basic carrier systems. If you are to give the mounting hooks to a third person, provide the installation instructions to ensure safe installation and usage.

### **WARNING**

Install hooks correctly at specified positions according to the installation instructions herein and the installation instructions for the applicable carrier system. Installation positions of hooks depend on the vehicle type. If hooks are not installed at specified positions, the carrier may fall and cause accidents.

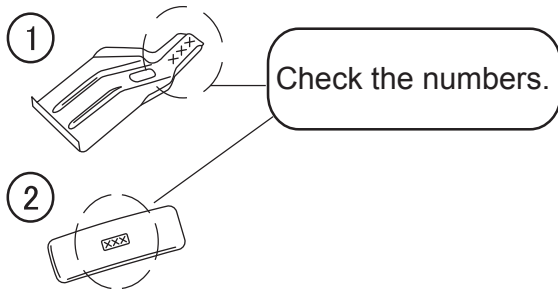
If inappropriate hooks are used, the carrier / attachment may fall and cause accidents. Before driving the vehicle, rock the stays and bars in all directions to ensure that there is no looseness. Retighten any loose knobs or bolts.

Do not use these hooks for attachments of non-specified types. The carrier may fall and cause accidents.

Observe the specified loading conditions. Failure to observe the loading condition may cause the carrier to break or loosen and fall, resulting in accidents.

For INNO dedicated ski & snowboard carriers, read the carrier installation instructions to determine proper mounting locations.

The SU Mounting hooks include the parts listed below. Verify that all of these parts are included in the carrier system you have purchased.



No.	Part	# of Part	Qty
1	Hook	231	4
2	Base	402	4

 **NOTE**

The specifications or external appearance of this product or any of the genuine spare parts may be changed for improvement without prior notification.

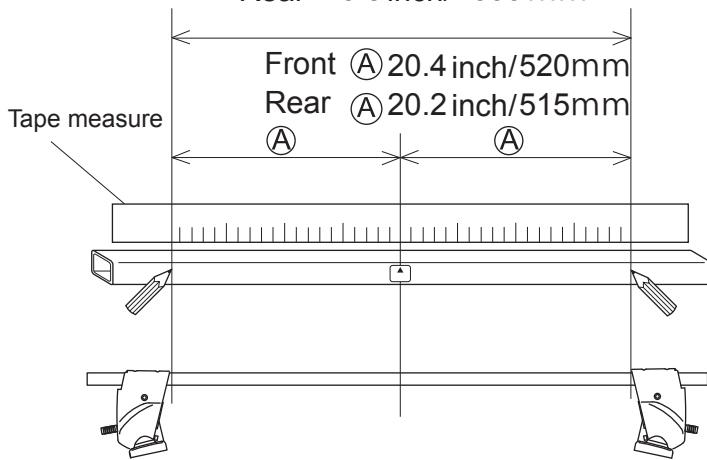
Manufacturer	Model	Type	Year	Maximum loading capacity	Bikes
HYUNDAI	XG	4 door sedan	2001 -2005	80 lbs ( 36 kg)  ( Load + Base rack + Attachments )	2

Maximum loading capacity is  
36 kg ( 80 lbs) for this vehicle type.

Stay interior dimensions

Front 40.9 inch/1040 mm

Rear 40.5 inch/1030 mm

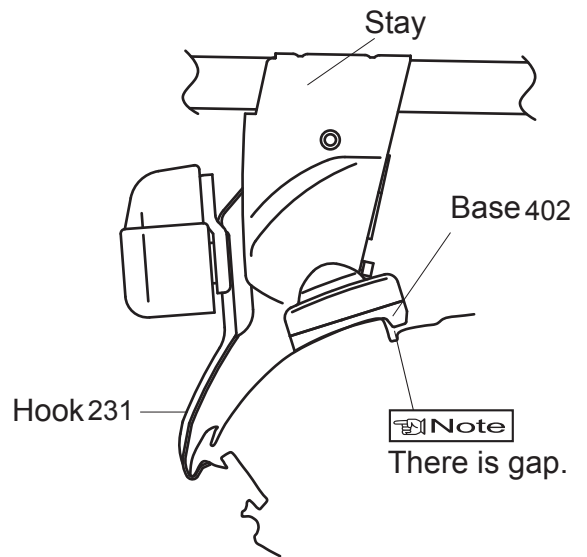


**Loosely attach hooks**

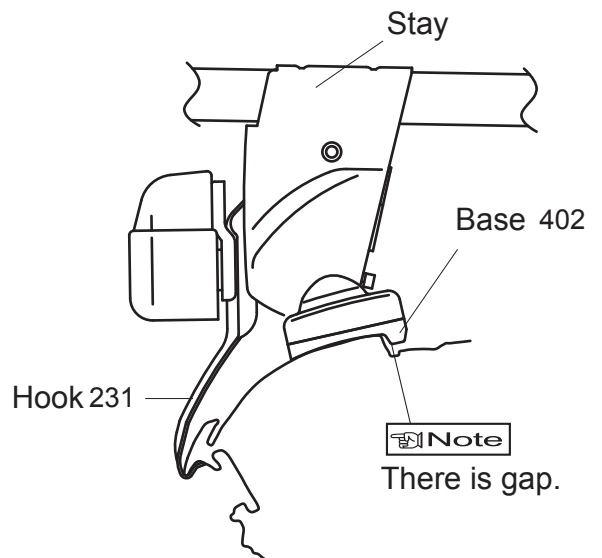
	Hook number
Front hook	231
Rear hook	231

■ Hook / base installation position

Front



Rear



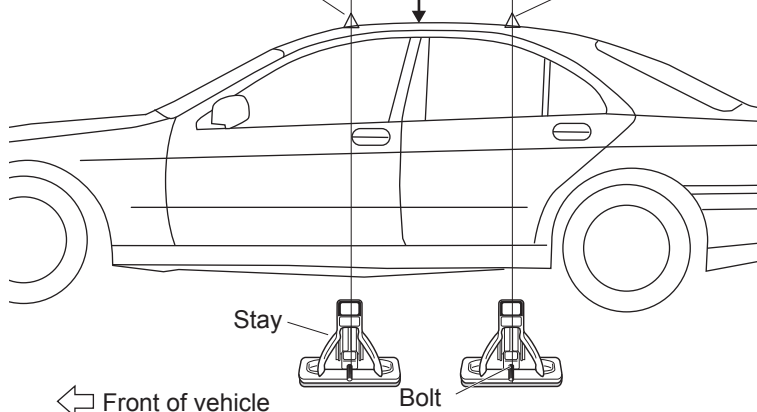
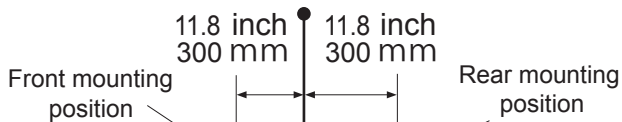
**Install Bases**

	Base number
Front base	402
Rear base	402

**Mounting positions**

● Position the stays so that bolts align at specified mounting points.

Gap between front and rear doors



**Note**

● When knob is tightened, base moves slightly outward to the position illustrated above.

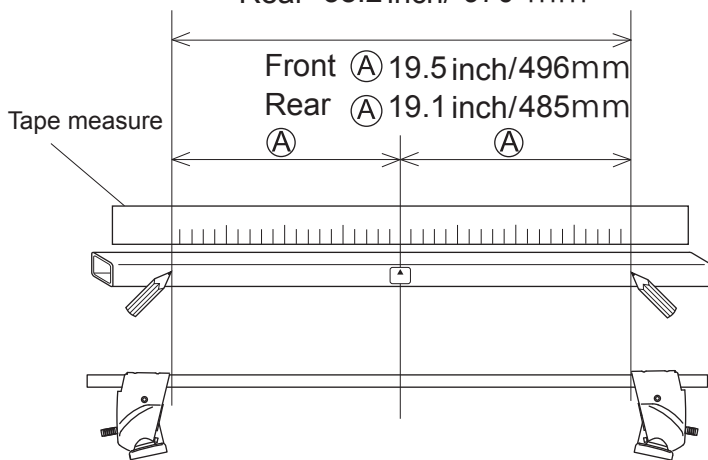
Manufacturer	Model	Type	Year	Maximum loading capacity	Bikes
LEXUS	GS	4 door sedan	1998 -2005	120 lbs ( 55 kg) ( Load + Base rack + Attachments )	2

Maximum loading capacity is 55 kg (120 lbs) for this vehicle type.

Stay interior dimensions

Front 39.0inch/ 992 mm

Rear 38.2inch/ 970 mm

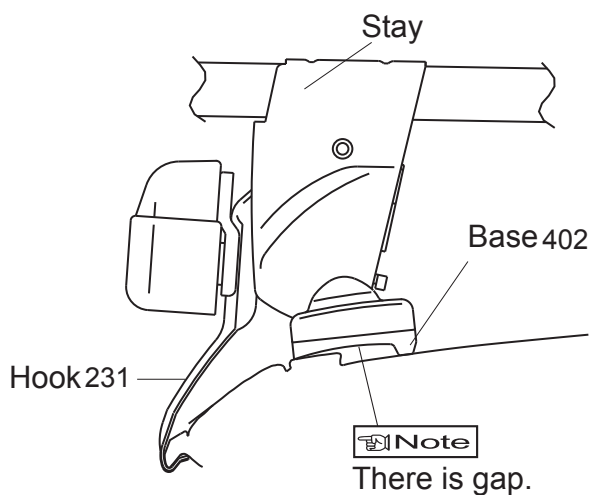


Loosely attach hooks

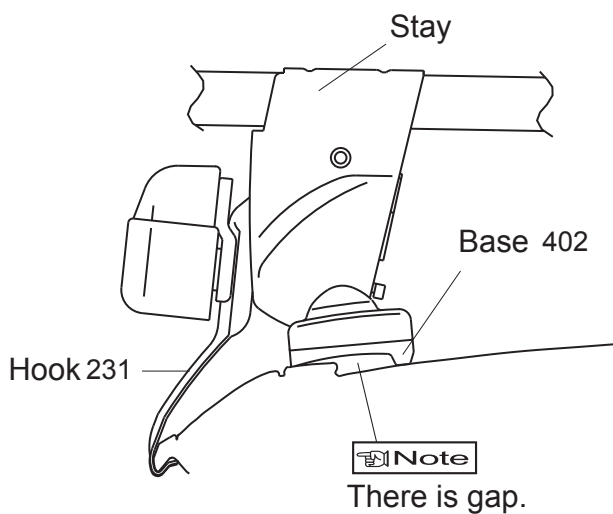
	Hook number
Front hook	231
Rear hook	231

■ Hook / base installation position

Front



Rear



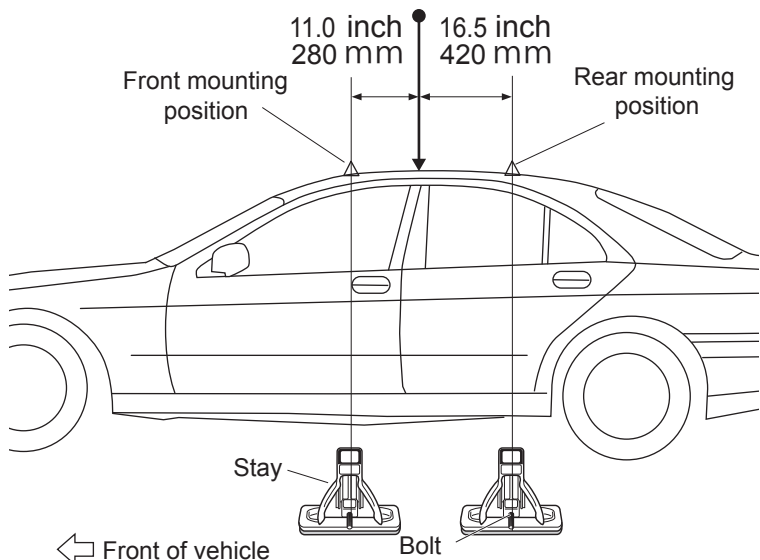
Install Bases

	Base number
Front base	402
Rear base	402

Mounting positions

● Position the stays so that bolts align at specified mounting points.

Gap between front and rear doors



Note

● When knob is tightened, base moves slightly outward to the position illustrated above.

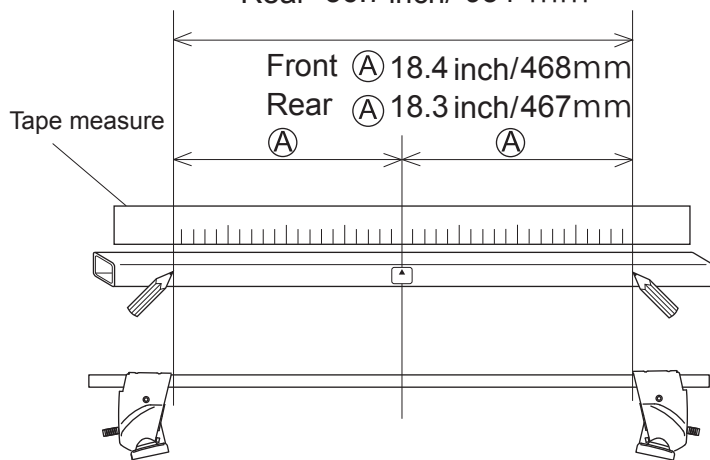
Manufacturer	Model	Type	Year	Maximum loading capacity	Bikes
TOYOTA	CELICA	2 door coupe	2000 -2005	80 lbs ( 36 kg)  ( Load + Base rack + Attachments )	2

Maximum loading capacity is 36 kg ( 80 lbs) for this vehicle type.

Stay interior dimensions

Front 36.8 inch/ 936 mm

Rear 36.7 inch/ 934 mm

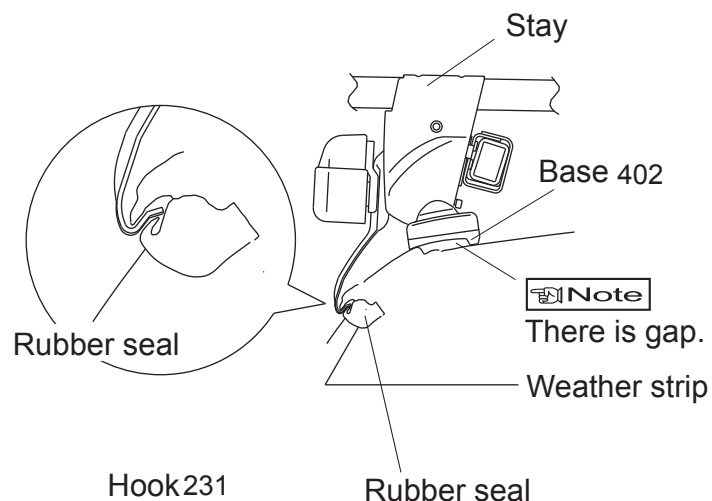


Loosely attach hooks

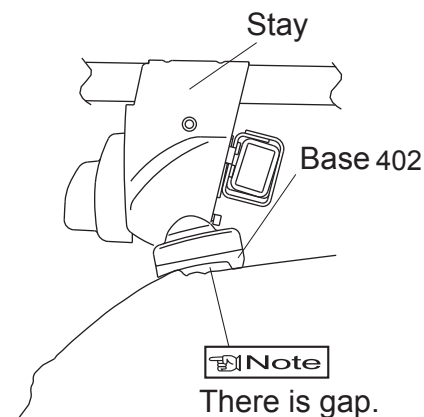
	Hook number
Front hook	231
Center hook	231

■ Hook / base installation position

Front



Rear

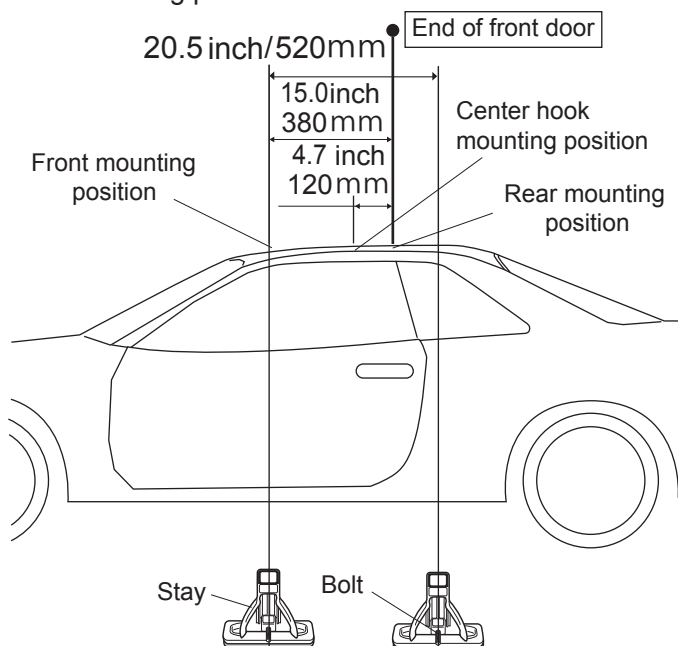


Install Bases

	Base number
Front base	402
Rear base	402

Mounting positions

● Position the stays so that bolts align at specified mounting points.



Note

- Base installation position for rear carrier is the same as front carrier.
- When knob is tightened, base moves slightly outward to the position illustrated above.