

# SU Fit Hooks K153

## Installation Instructions

Before using the Mounting hooks, carefully read the installation instructions as well as the installation instructions for basic carrier systems, and follow all usage instructions. After reading the installation instructions, keep it in a safe place along with the installation instructions for basic carrier systems. If you are to give the mounting hooks to a third person, provide the installation instructions to ensure safe installation and usage.

### **WARNING**

Install hooks correctly at specified positions according to the installation instructions herein and the installation instructions for the applicable carrier system. Installation positions of hooks depend on the vehicle type. If hooks are not installed at specified positions, the carrier may fall and cause accidents.

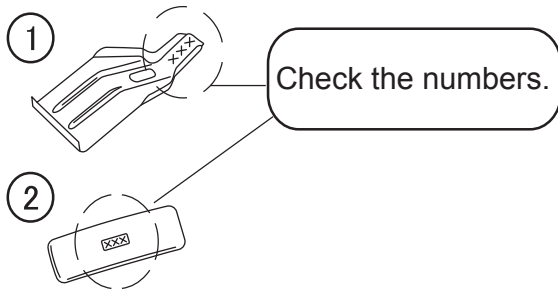
If inappropriate hooks are used, the carrier / attachment may fall and cause accidents. Before driving the vehicle, rock the stays and bars in all directions to ensure that there is no looseness. Retighten any loose knobs or bolts.

Do not use these hooks for attachments of non-specified types. The carrier may fall and cause accidents.

Observe the specified loading conditions. Failure to observe the loading condition may cause the carrier to break or loosen and fall, resulting in accidents.

For INNO dedicated ski & snowboard carriers, read the carrier installation instructions to determine proper mounting locations.

The SU Mounting hooks include the parts listed below. Verify that all of these parts are included in the carrier system you have purchased.



No.	Part	# of Part	Qty
1	Hook	315	4
2	Base	401	4

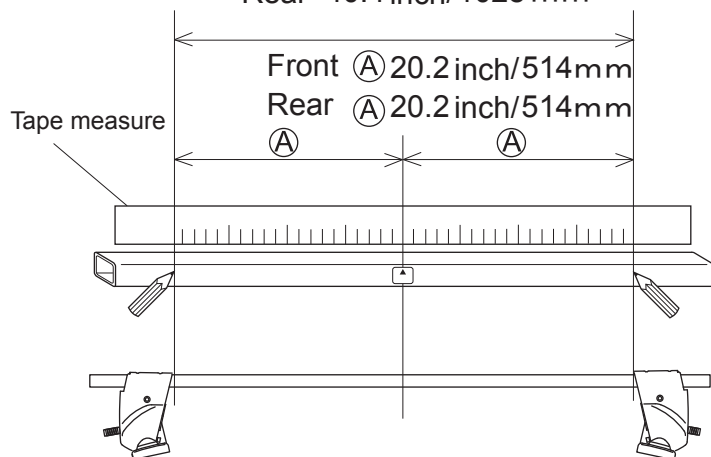
#### **NOTE**

The specifications or external appearance of this product or any of the genuine spare parts may be changed for improvement without prior notification.

Manufacturer	Model	Type	Year	Maximum loading capacity	Bikes
CADILLAC	SE VILLE	4 door sedan	1998 -2004	100 lbs ( 45 kg)  ( Load + Base rack + Attachments )	2

Maximum loading capacity is 45 kg (100 lbs) for this vehicle type.

Stay interior dimensions  
Front 40.4 inch/1028 mm  
Rear 40.4 inch/1028 mm



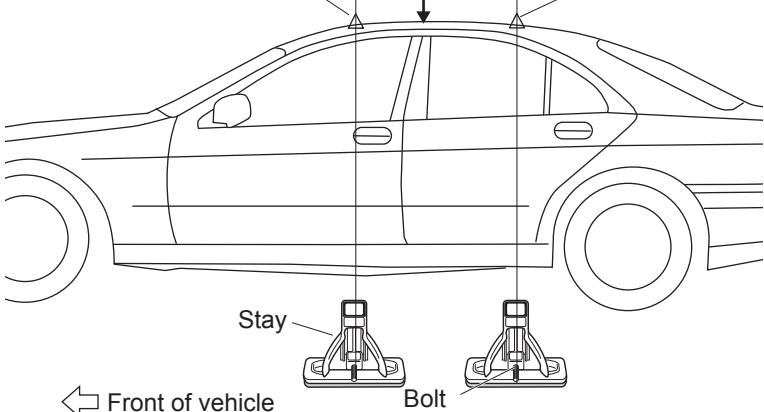
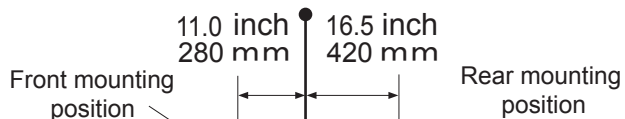
Install Bases

	Base number
Front base	401
Rear base	401

Mounting positions

- Position the stays so that bolts align at specified mounting points.

Gap between front and rear doors

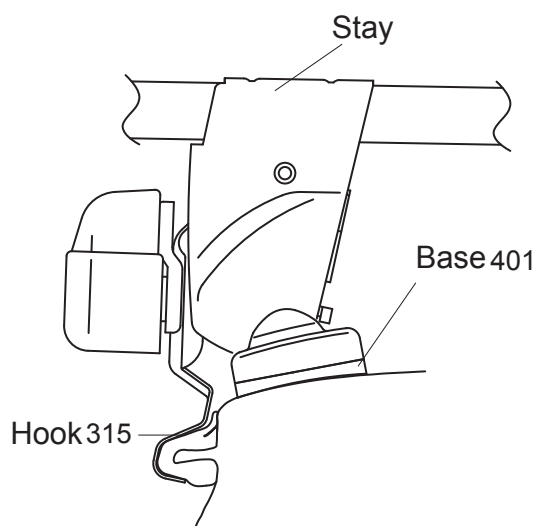


Loosely attach hooks

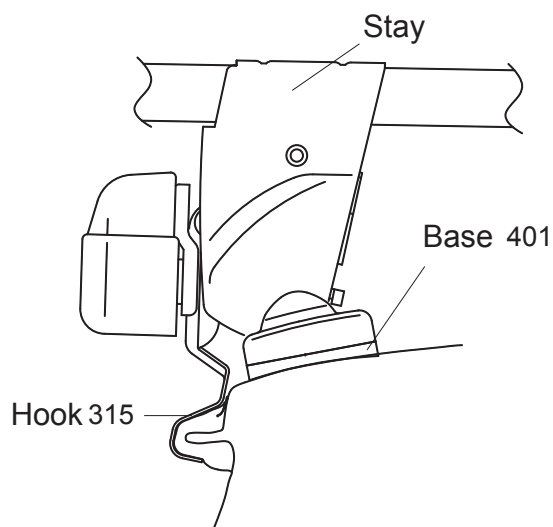
	Hook number
Front hook	315
Rear hook	315

- Hook / base installation position

Front



Rear



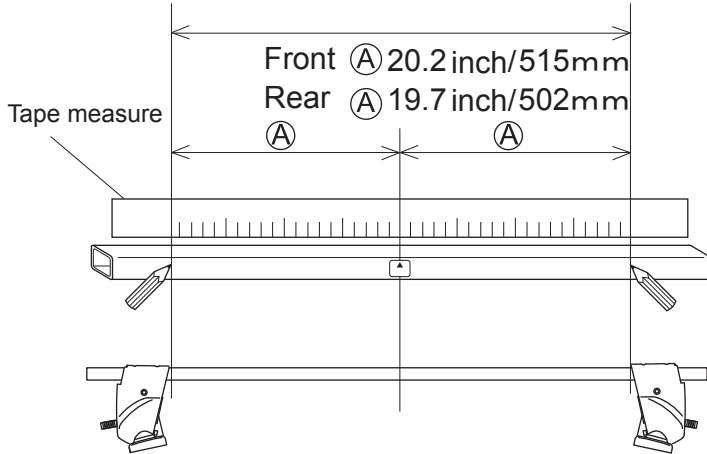
Note

- When knob is tightened, base moves slightly outward to the position illustrated above.

Manufacturer	Model	Type	Year	Maximum loading capacity	Bikes
CHEVROLET	COLORADO	Crew cab pick up	2004 -2012	140 lbs ( 64 kg)  ( Load + Base rack + Attachments )	3
GMC	CANYON		2004 -2012		
ISUZU	I-350 I-370		2006 -2008		

Maximum loading capacity is 64 kg (140 lbs) for this vehicle type.

Stay interior dimensions  
Front 40.5 inch/1030 mm  
Rear 39.5 inch/1004 mm

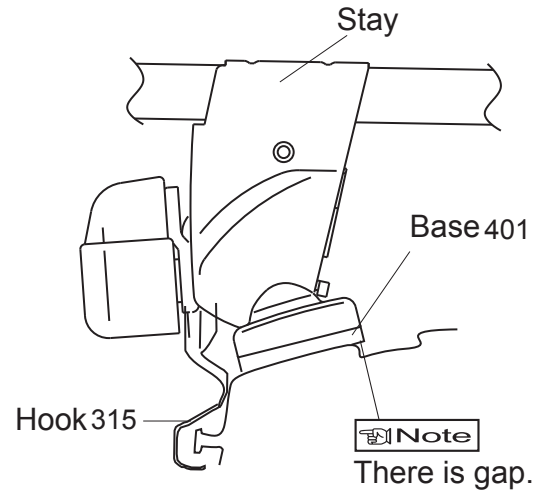


Loosely attach hooks

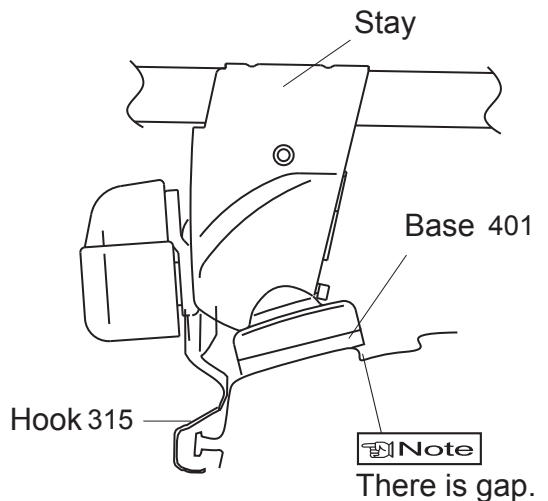
	Hook number
Front hook	315
Rear hook	315

■ Hook / base installation position

Front



Rear



Note

● When knob is tightened, base moves slightly outward to the position illustrated above.

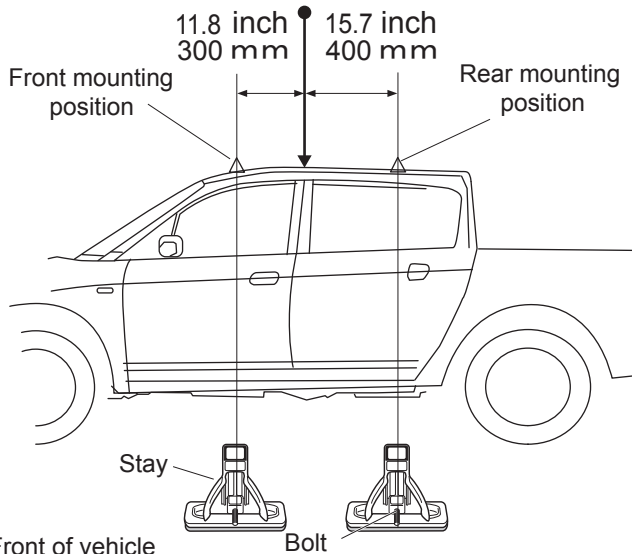
Install Bases

	Base number
Front base	401
Rear base	401

Mounting positions

● Position the stays so that bolts align at specified mounting points.

Gap between front and rear doors

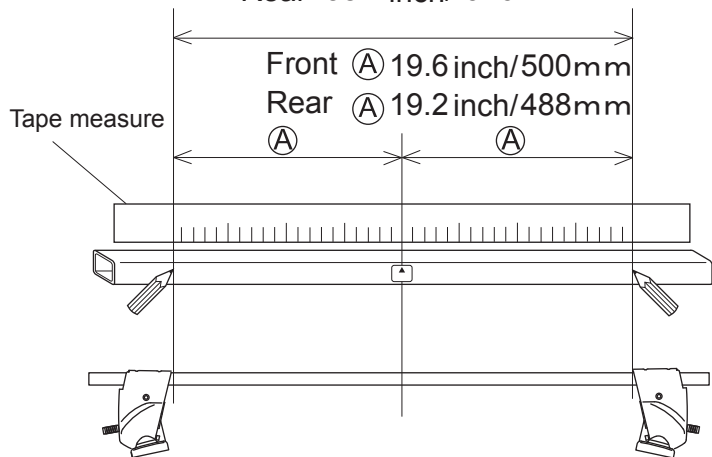


← Front of vehicle

Manufacturer	Model	Type	Year	Maximum loading capacity	Bikes
CHRYSLER	PT CRUISER	5 door	2001-2010	140 lbs ( 64 kg) ( Load + Base rack + Attachments )	3

Maximum loading capacity is 64 kg (140 lbs) for this vehicle type.

Stay interior dimensions  
 Front 39.3 inch/1000 mm  
 Rear 38.4 inch/ 976 mm



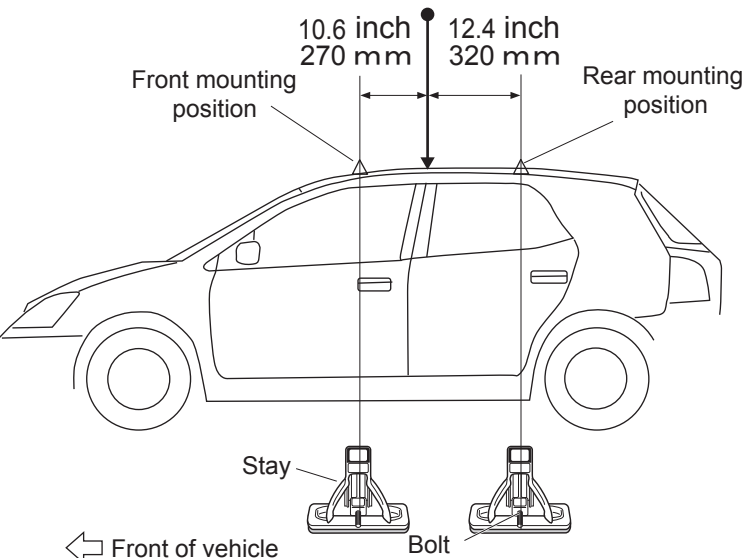
Install Bases

	Base number
Front base	401
Rear base	401

Mounting positions

- Position the stays so that bolts align at specified mounting points.

Gap between front and rear doors

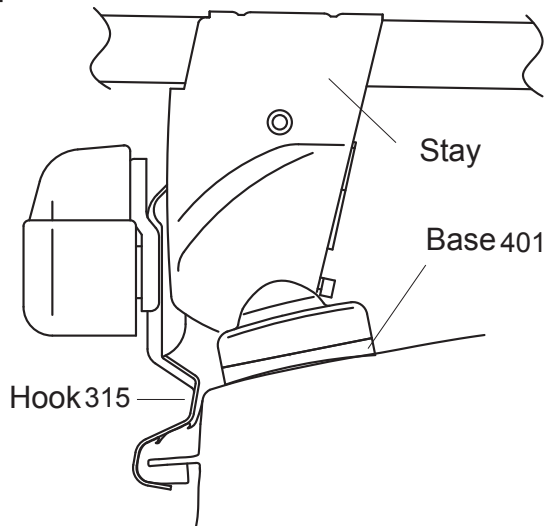


Loosely attach hooks

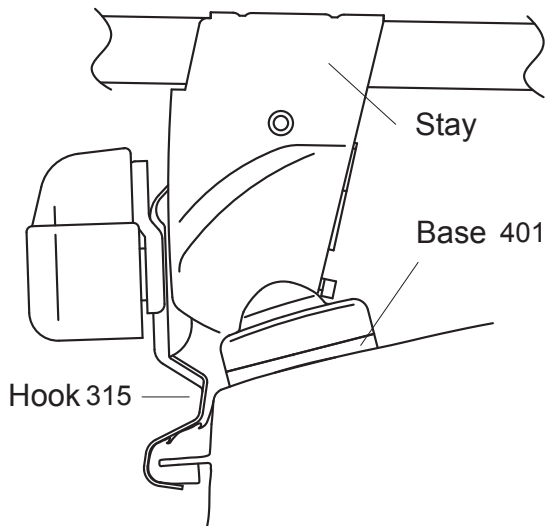
	Hook number
Front hook	315
Rear hook	315

- Hook / base installation position

Front



Rear



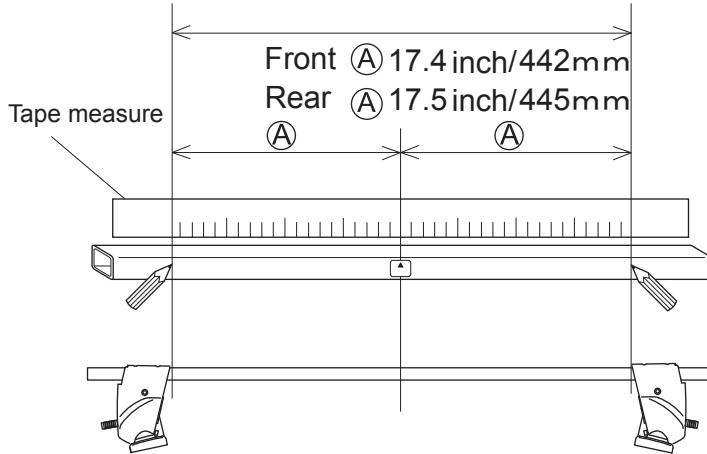
Note

- When knob is tightened, base moves slightly outward to the position illustrated above.

Manufacturer	Model	Type	Year	Maximum loading capacity	Bikes
PONTIAC	GRAND AM	2 door	1999 -2005	120 lbs ( 55 kg) ( Load + Base rack + Attachments )	3

Maximum loading capacity is 55 kg (120 lbs) for this vehicle type.

Stay interior dimensions  
Front 34.8inch/ 884 mm  
Rear 35.0inch/ 890 mm

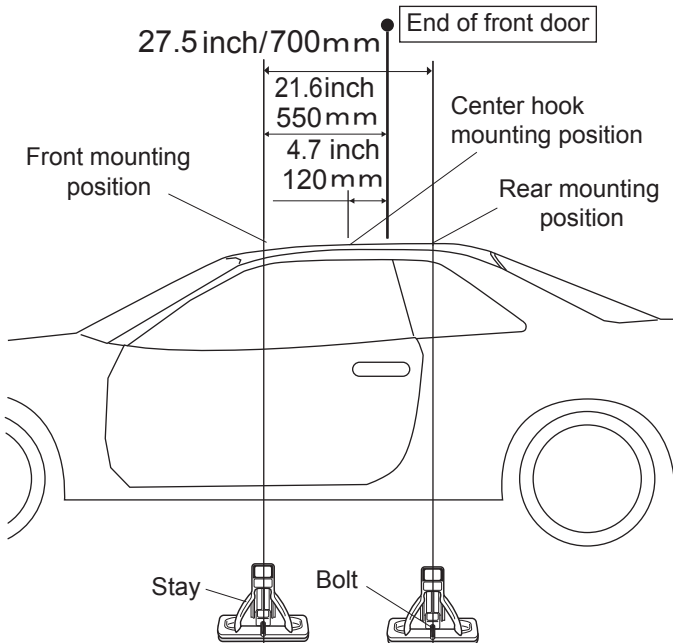


**Install Bases**

	Base number
Front base	401
Rear base	401

**Mounting positions**

- Position the stays so that bolts align at specified mounting points.

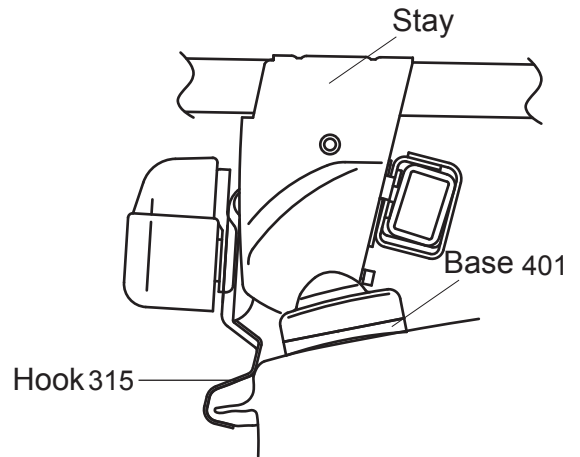


**Loosely attach hooks**

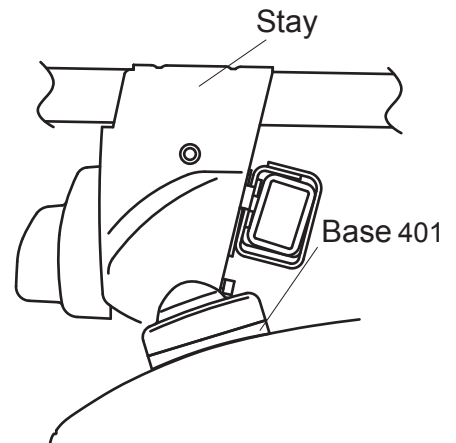
	Hook number
Front hook	315
Center hook	315

- Hook / base installation position

**Front**



**Rear**



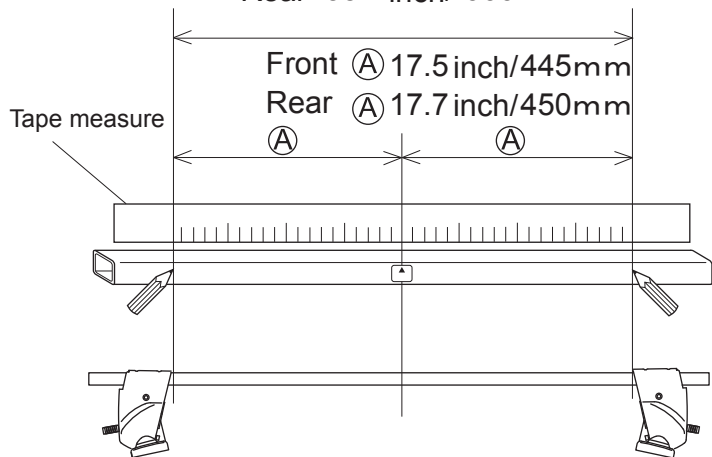
**Note**

- Hook mounting position for center hook is the same as front hook.
- When knob is tightened, base moves slightly outward to the position illustrated above.

Manufacturer	Model	Type	Year	Maximum loading capacity	Bikes
PONTIAC	GRAND AM	4 door	1999-2004	120 lbs ( 55 kg) ( Load + Base rack + Attachments )	3

Maximum loading capacity is 55 kg (120 lbs) for this vehicle type.

Stay interior dimensions  
 Front 35.0inch/ 890 mm  
 Rear 35.4inch/ 900 mm

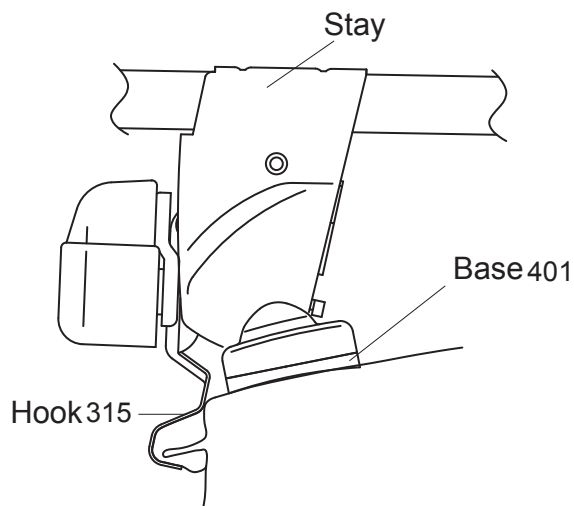


Loosely attach hooks

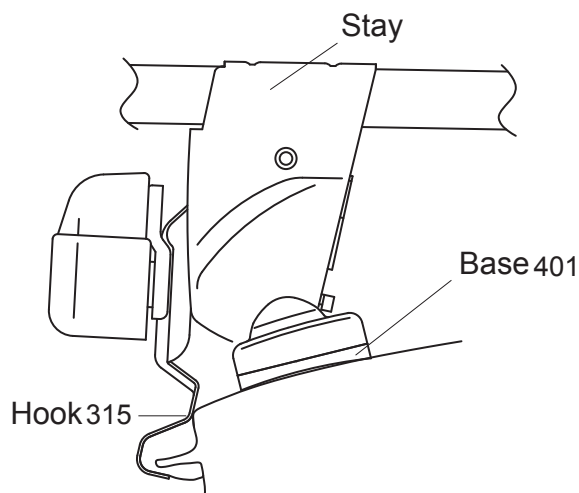
	Hook number
Front hook	315
Rear hook	315

■ Hook / base installation position

Front



Rear



Install Bases

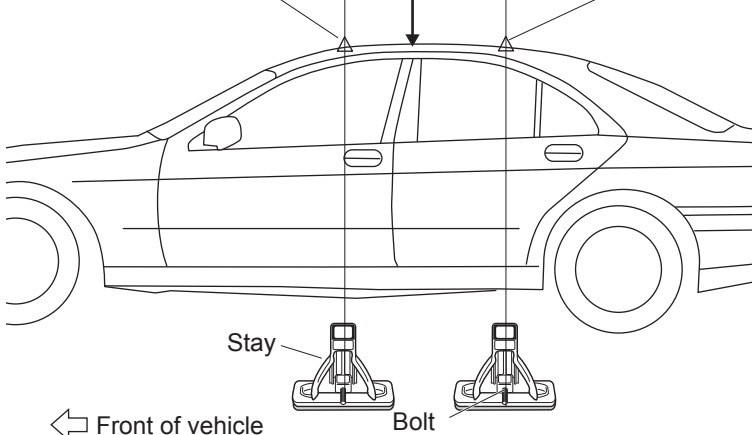
	Base number
Front base	401
Rear base	401

Mounting positions

● Position the stays so that bolts align at specified mounting points.

Gap between front and rear doors

10.6 inch 270 mm  
 12.9 inch 330 mm  
 Front mounting position  
 Rear mounting position



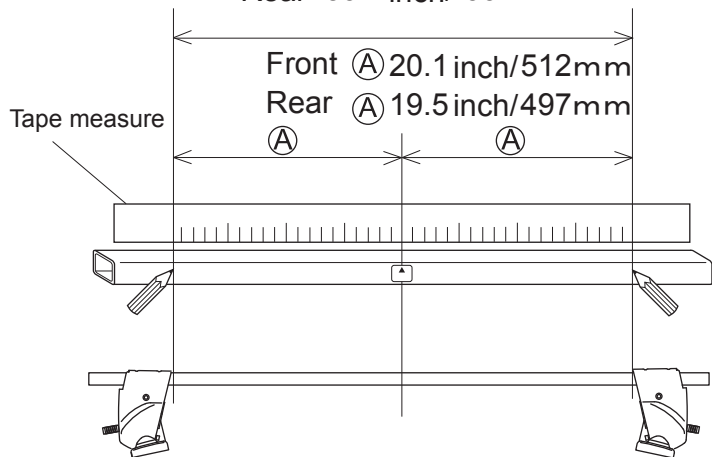
Note

● When knob is tightened, base moves slightly outward to the position illustrated above.

Manufacturer	Model	Type	Year	Maximum loading capacity	Bikes
SAAB	9-5	4 door	1999-2010	120 lbs ( 55 kg) ( Load + Base rack + Attachments )	2

Maximum loading capacity is 55 kg (120 lbs) for this vehicle type.

Stay interior dimensions  
Front 40.3 inch/1024 mm  
Rear 39.1 inch/ 994 mm

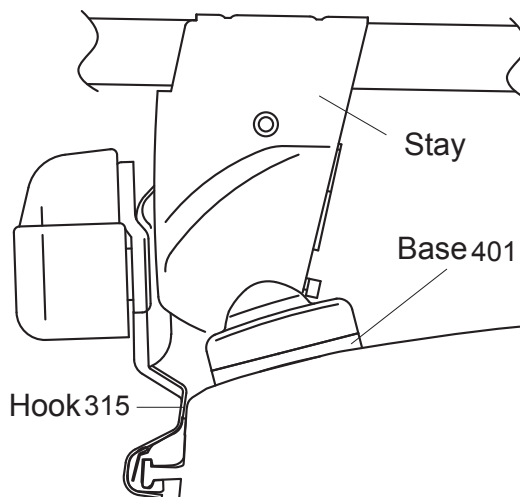


Loosely attach hooks

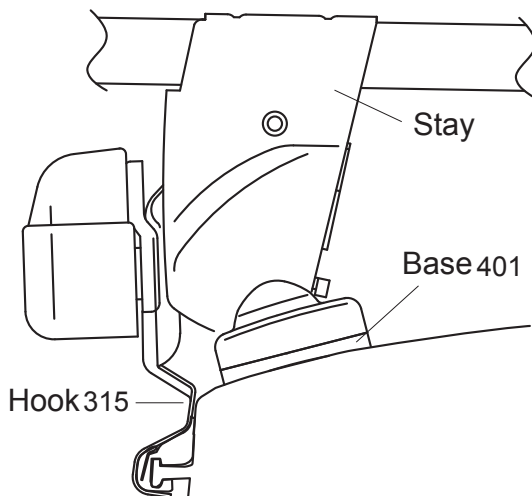
	Hook number
Front hook	315
Rear hook	315

■ Hook / base installation position

Front



Rear



Note

● When knob is tightened, base moves slightly outward to the position illustrated above.

Install Bases

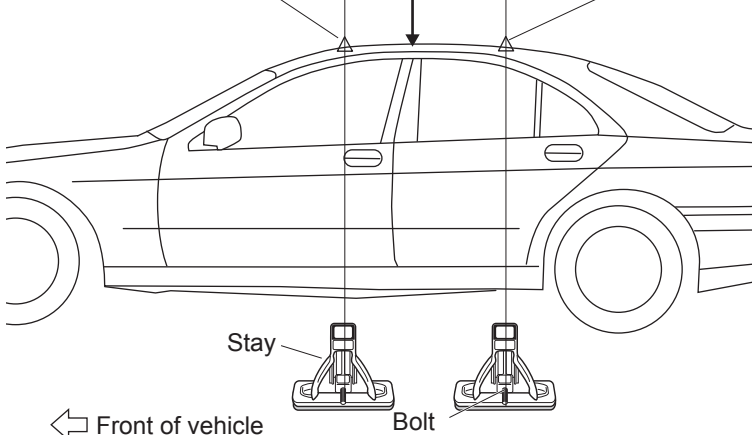
	Base number
Front base	401
Rear base	401

Mounting positions

● Position the stays so that bolts align at specified mounting points.

Gap between front and rear doors

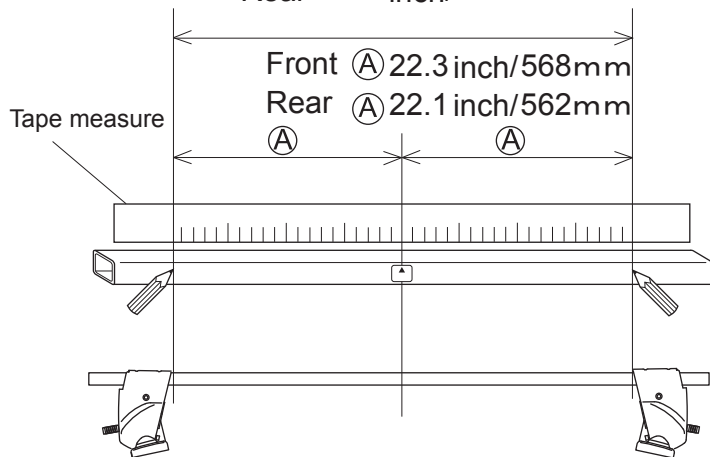
12.2 inch 310 mm  
15.7 inch 400 mm  
Front mounting position  
Rear mounting position



Manufacturer	Model	Type	Year	Maximum loading capacity	Bikes
TOYOTA	TUNDRA	Access cab	1999-2006	140 lbs ( 64 kg) ( Load + Base rack + Attachments )	3

Maximum loading capacity is 64 kg (140 lbs) for this vehicle type.

Stay interior dimensions  
 Front 44.7 inch/1136 mm  
 Rear 44.2 inch/1124 mm



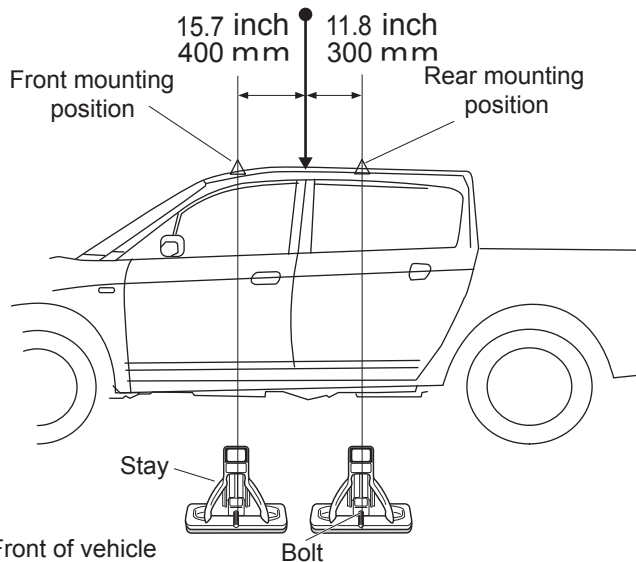
**Install Bases**

	Base number
Front base	401
Rear base	401

**Mounting positions**

- Position the stays so that bolts align at specified mounting points.

Gap between front and rear doors



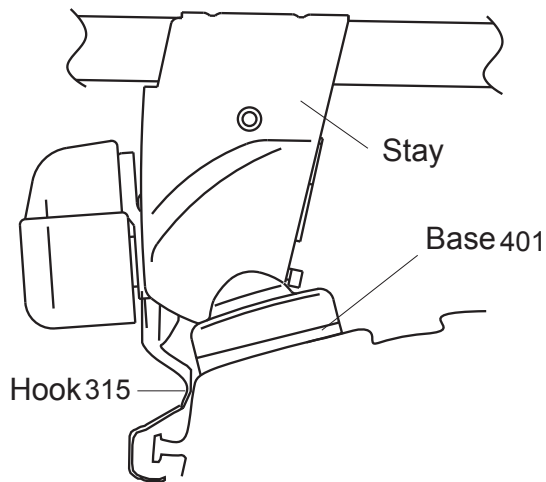
← Front of vehicle

**Loosely attach hooks**

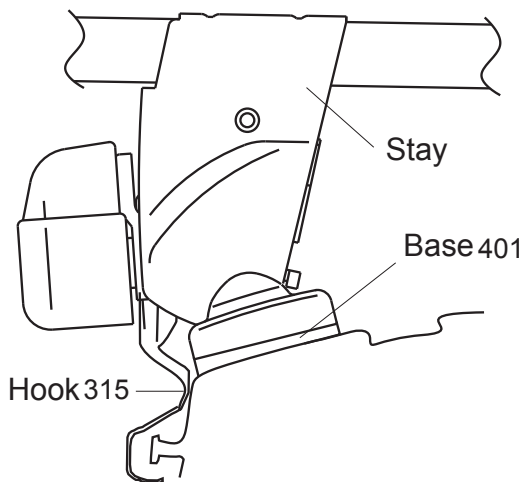
	Hook number
Front hook	315
Rear hook	315

- Hook / base installation position

Front



Rear



**Note**

- When knob is tightened, base moves slightly outward to the position illustrated above.



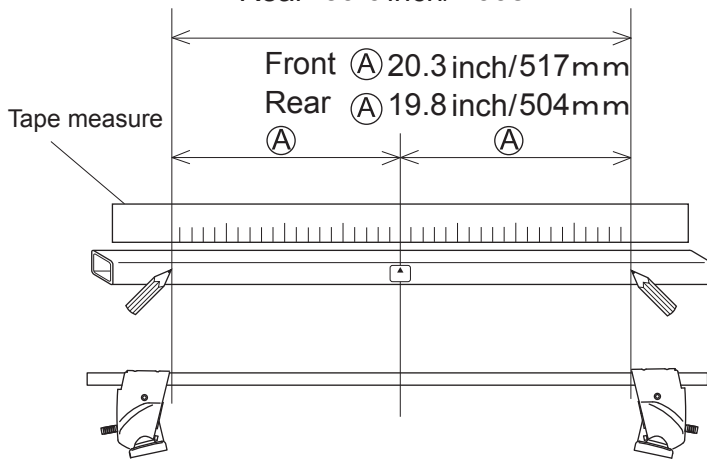
Manufacturer	Model	Type	Year	Maximum loading capacity	Bikes
ISUZU	D-MAX	4 door	2012-	140 lbs ( 64 kg)  ( Load + Base rack + Attachments )	3

Maximum loading capacity is 64 kg (140 lbs) for this vehicle type.

Stay interior dimensions

Front 40.7 inch/ 1034mm

Rear 39.6 inch/ 1008mm

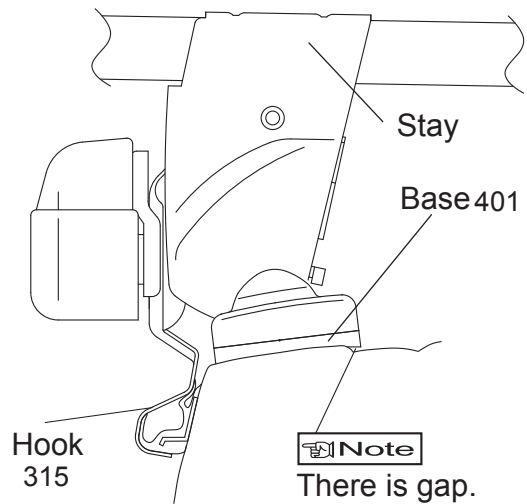


Loosely attach hooks

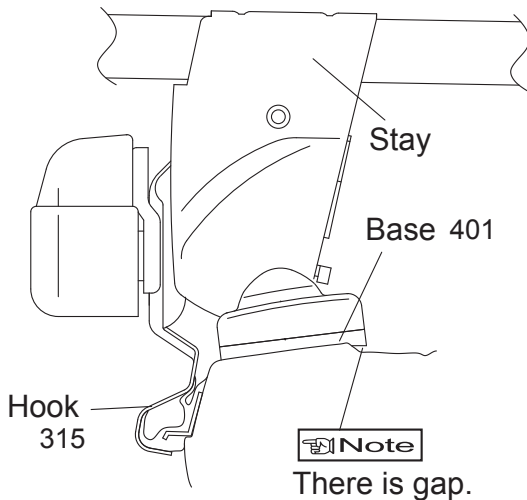
	Hook number
Front hook	315
Rear hook	315

■ Hook / base installation position

Front



Rear



Note

● When knob is tightened, base moves slightly outward to the position illustrated above.

Install Bases

	Base number
Front base	401
Rear base	401

Mounting positions

- Position the stays so that bolts align at specified mounting points.

