

## Installation Instructions

Before using the Mounting hooks, carefully read the installation instructions as well as the installation instructions for basic carrier systems, and follow all usage instructions. After reading the installation instructions, keep it in a safe place along with the installation instructions for basic carrier systems. If you are to give the mounting hooks to a third person, provide the installation instructions to ensure safe installation and usage. If you have any questions regarding the installation instructions, contact our customer service listed below.

### **WARNING**

Install hooks correctly at specified positions according to the installation instructions herein and the installation instructions for the applicable carrier system. Installation positions of hooks depend on the vehicle type. If hooks are not installed at specified positions, the carrier may fall and cause accidents. If the installation instructions appropriate for your vehicle type are not available, contact our customer service listed below.

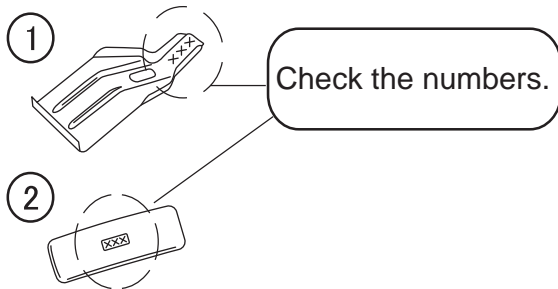
Select hooks matching your vehicle by referring to the Fit Guide available at stores or on our website. If inappropriate hooks are used, the carrier / attachment may fall and cause accidents. Before driving the vehicle, rock the stays and bars in all directions to ensure that there is no looseness. Retighten any loose knobs or bolts.

Do not use these hooks for attachments of non-specified types. The carrier may fall and cause accidents.

Observe the specified loading conditions. Failure to observe the loading condition may cause the carrier to break or loosen and fall, resulting in accidents.

For INNO dedicated ski & snowboard carriers, read the carrier installation instructions to determine proper mounting locations.

The SU Mounting hooks include the parts listed below. Verify that all of these parts are included in the carrier system you have purchased. In the event any of these parts are missing, contact our customer service listed below.



No.	Part	# of Part	Qty
1	Hook	398S	4
2	Base	413	4

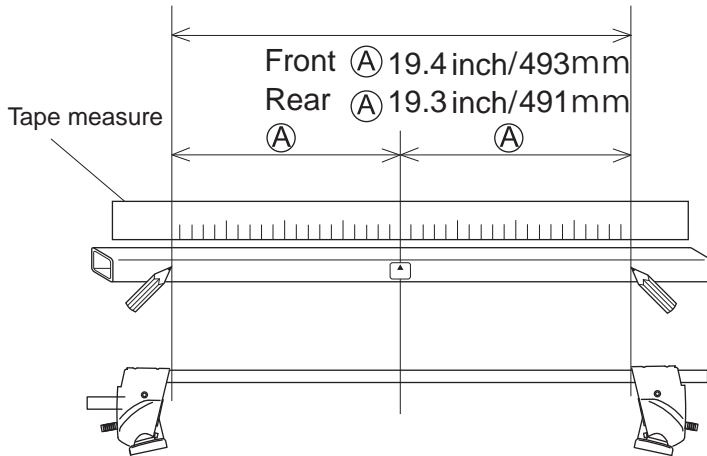
#### **NOTE**

The specifications or external appearance of this product or any of the genuine spare parts may be changed for improvement without prior notification.

Manufacturer	Model	Type	Year	Maximum loading capacity	Bikes
INFINITI	QX4	SUV (w/o Factory Rack)	1997 -2003	165 lbs ( 75 kg)	4
NISSAN	PATHFINDER		1996 -2004	( Load + Base rack + Attachments )	

Maximum loading capacity is 75 kg (165 lbs) for this vehicle type.

Stay interior dimensions  
 Front 38.8inch/ 986 mm  
 Rear 38.6inch/ 982 mm

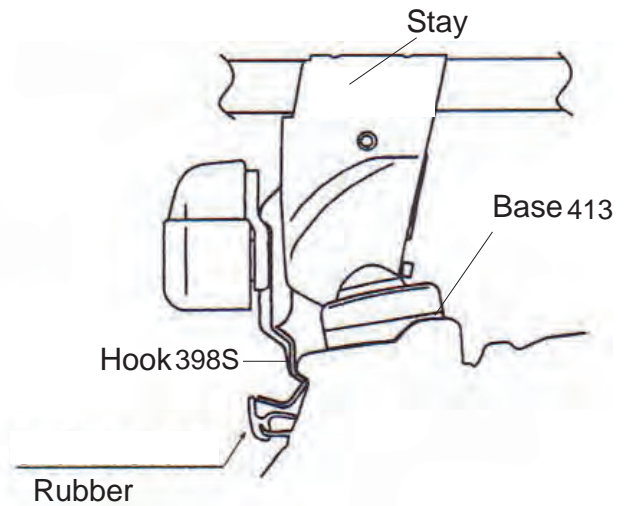


**Loosely attach hooks**

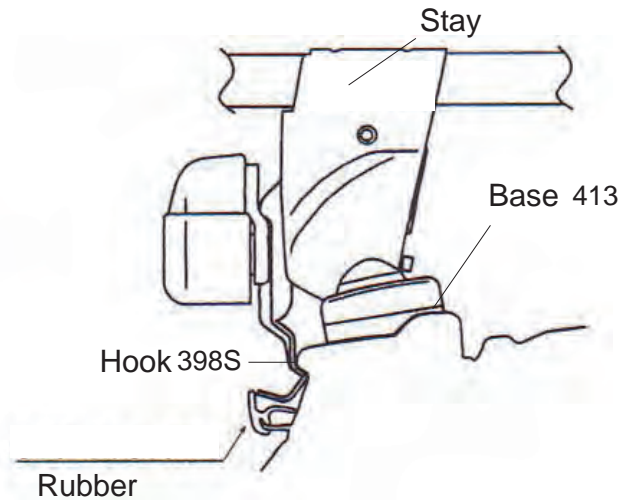
	Hook number
Front hook	398S
Rear hook	398S

■ Hook / base installation position

**Front**



**Rear**



**Note**

● When knob is tightened, base moves slightly outward to the position illustrated above.

**Install Bases**

	Base number
Front base	413
Rear base	413

**Mounting positions**

● Position the stays so that bolts align at specified mounting points.

Gap between front and rear doors

