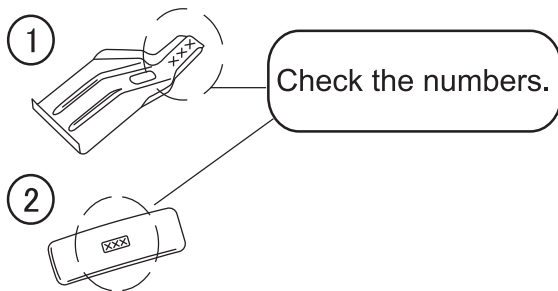


Installation Instructions

Before using the Mounting hooks, carefully read the installation instructions as well as the installation instructions for basic carrier systems, and follow all usage instructions. After reading the installation instructions, keep it in a safe place along with the installation instructions for basic carrier systems. If you are to give the mounting hooks to a third person, provide the installation instructions to ensure safe installation and usage.

For INNO dedicated ski & snowboard carriers, read the carrier installation instructions to determine proper mounting locations.

The SU Mounting hooks include the parts listed below.



No.	Part	# of Part	Qty
1	Hook	133	4
2	Base	404	4

NOTE

The specifications or external appearance of this product or any of the genuine spare parts may be changed for improvement without prior notification.

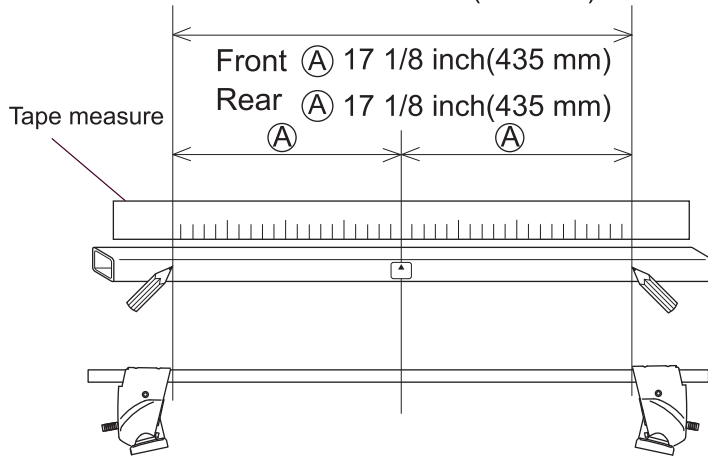
Manufacturer	Model	Type	Year	Maximum loading capacity	Bikes
HONDA	CIVIC	3 door	1996 -2000	140 lbs (64 kg) (Load + Base rack + Attachments)	3

Maximum loading capacity is 140 lbs(64 kg) for this vehicle type.

Stay interior dimensions

Front 34 1/3 inch(870 mm)

Rear 34 3/8 inch(872 mm)

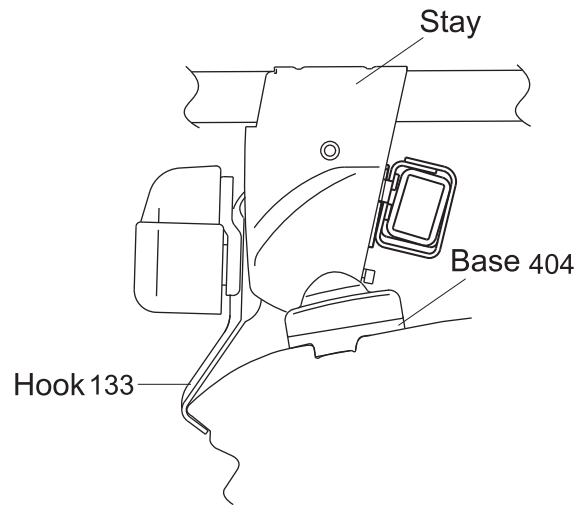


Loosely attach hooks

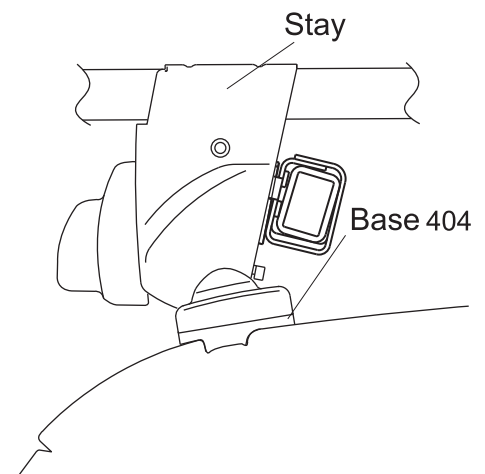
	Hook number
Front hook	133
Center hook	133

Hook / base installation position

Front



Rear



Note

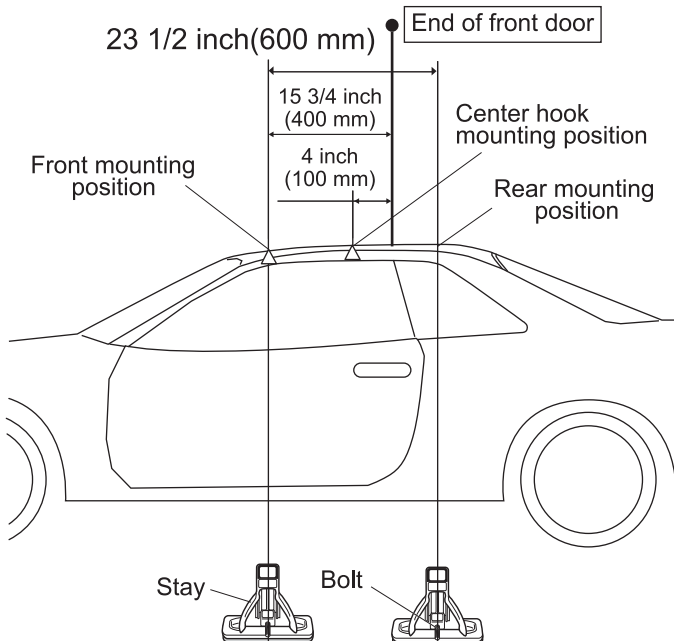
- Hook installation position for center hook is the same as front carrier.
- When knob is tightened, base moves slightly outward to the position illustrated above.

Install Bases

	Base number
Front base	404
Rear base	404

Mounting positions

- Position the stays so that bolts align at specified mounting points.



← Front of vehicle

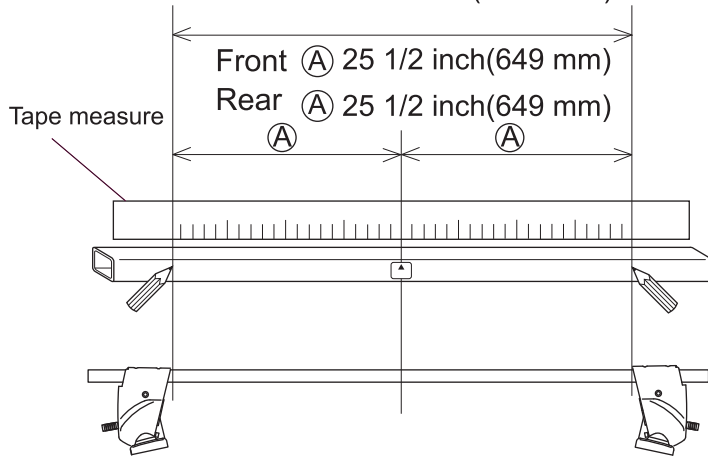
Manufacturer	Model	Type	Year	Maximum loading capacity	Bikes
FORD	F-150	super crew	2015 -	100 lbs (45 kg) (Load + Base rack + Attachments)	2

Maximum loading capacity is 100 lbs(45 kg) for this vehicle type.

Stay interior dimensions

Front 51 1/8 inch(1298 mm)

Rear 51 1/8 inch(1298 mm)

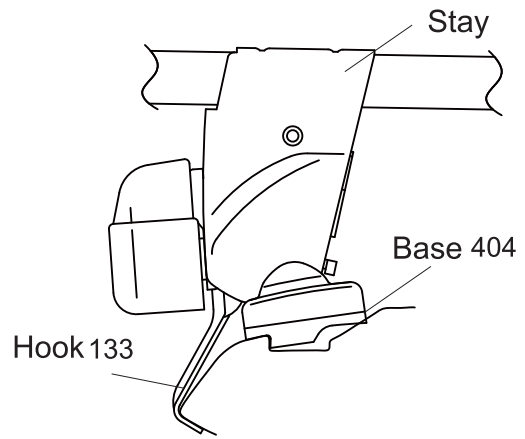


Loosely attach hooks

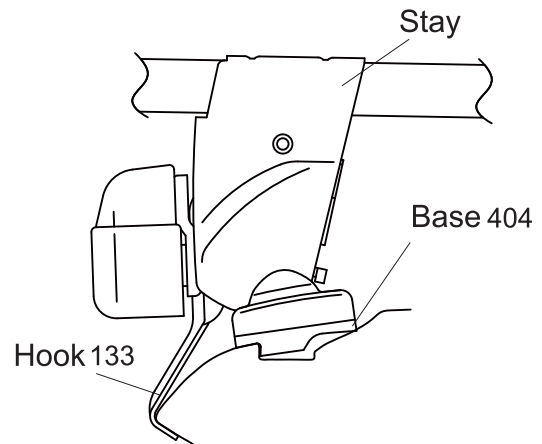
	Hook number
Front hook	133
Center hook	133

■ Hook / base installation position

Front



Rear

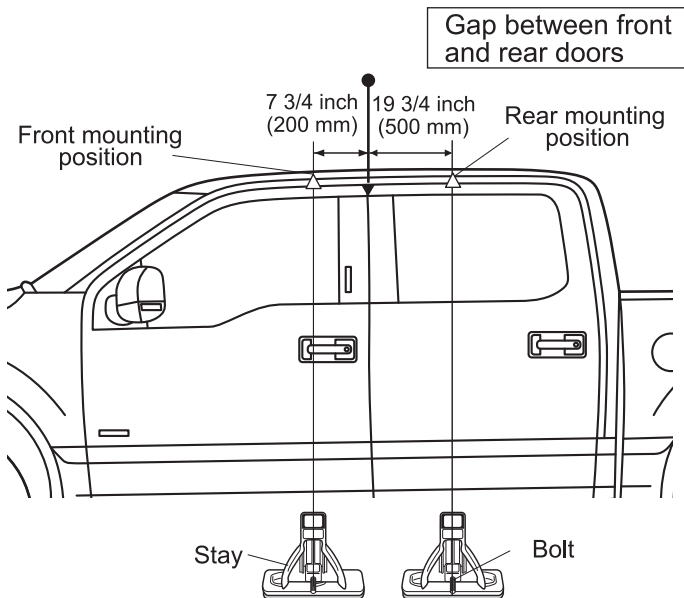


Install Bases

	Base number
Front base	404
Rear base	404

Mounting positions

● Position the stays so that bolts align at specified mounting points.



Note

● When knob is tightened, base moves slightly outward to the position illustrated above.