

SU Fit Hooks K130

Installation Instructions

Before using the Mounting hooks, carefully read the installation instructions as well as the installation instructions for basic carrier systems, and follow all usage instructions. After reading the installation instructions, keep it in a safe place along with the installation instructions for basic carrier systems. If you are to give the mounting hooks to a third person, provide the installation instructions to ensure safe installation and usage.

WARNING

Install hooks correctly at specified positions according to the installation instructions herein and the installation instructions for the applicable carrier system. Installation positions of hooks depend on the vehicle type. If hooks are not installed at specified positions, the carrier may fall and cause accidents.

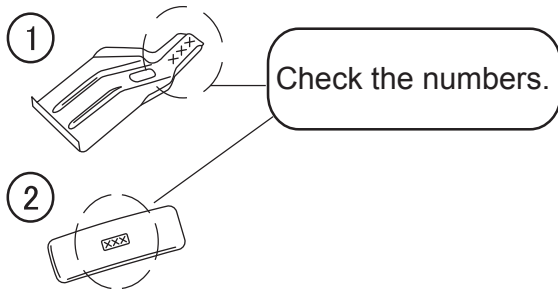
If inappropriate hooks are used, the carrier / attachment may fall and cause accidents. Before driving the vehicle, rock the stays and bars in all directions to ensure that there is no looseness. Retighten any loose knobs or bolts.

Do not use these hooks for attachments of non-specified types. The carrier may fall and cause accidents.

Observe the specified loading conditions. Failure to observe the loading condition may cause the carrier to break or loosen and fall, resulting in accidents.

For INNO dedicated ski & snowboard carriers, read the carrier installation instructions to determine proper mounting locations.

The SU Mounting hooks include the parts listed below. Verify that all of these parts are included in the carrier system you have purchased.



No.	Part	# of Part	Qty
1	Hook	142	4
2	Base	404	4

NOTE

The specifications or external appearance of this product or any of the genuine spare parts may be changed for improvement without prior notification.

Manufacturer	Model	Type	Year	Maximum loading capacity	Bikes
ACURA	INTEGRA	4 door	1994 -2001	120 lbs (55 kg) (Load + Base rack + Attachments)	2

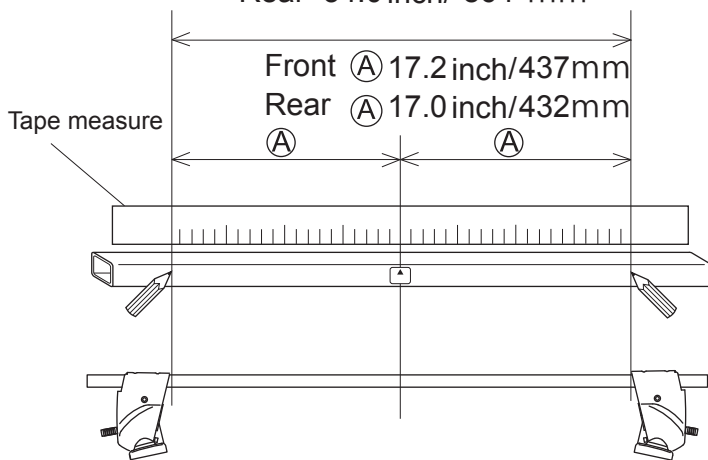
● Do not load items over 98 inches in length.

Maximum loading capacity is
55 kg (120 lbs) for this vehicle type.

Stay interior dimensions

Front 34.4 inch/ 874 mm

Rear 34.0 inch/ 864 mm



Loosely attach hooks

	Hook number
Front hook	142
Rear hook	142

■ Hook / base installation position

Front

Rear

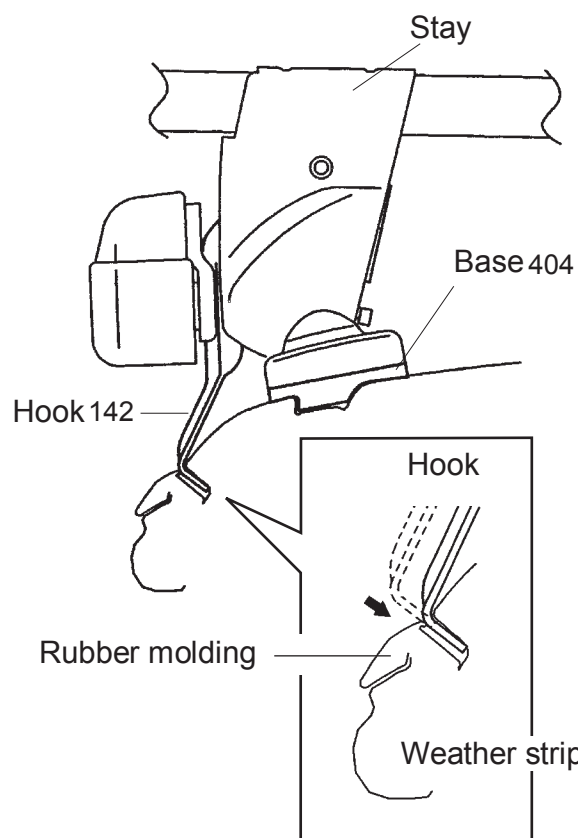
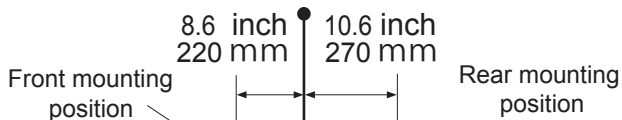
Install Bases

	Base number
Front base	404
Rear base	404

Mounting positions

● Position the stays so that bolts align at specified mounting points.

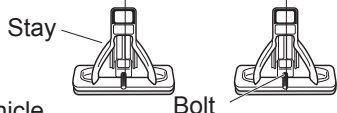
Gap between front and rear doors



Note

● When knob is tightened, base moves slightly outward to the position illustrated above.

← Front of vehicle



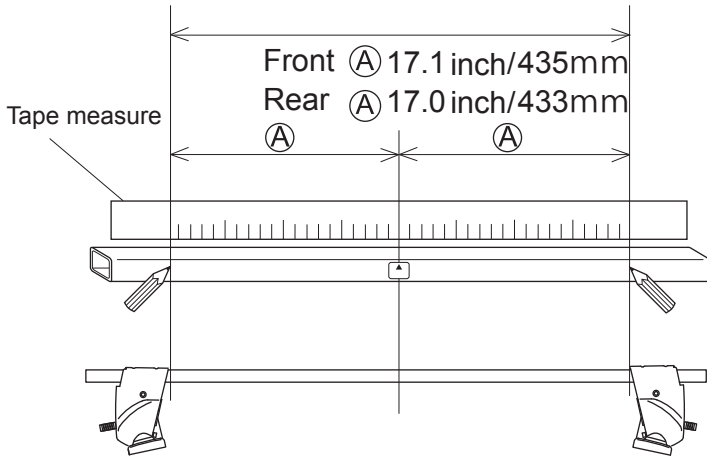
Manufacturer	Model	Type	Year	Maximum loading capacity	Bikes
ACURA	INTEGRA	3 door hatchback	1994 -2001	120 lbs (55 kg) (Load + Base rack + Attachments)	2

Maximum loading capacity is 55 kg (120 lbs) for this vehicle type.

Stay interior dimensions

Front 34.2inch/ 870 mm

Rear 34.0inch/ 866 mm

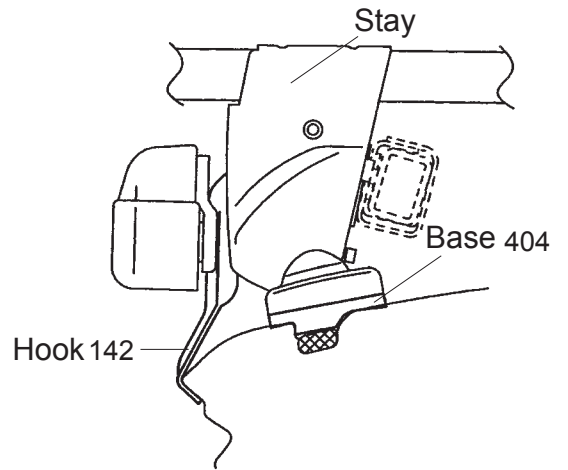


Loosely attach hooks

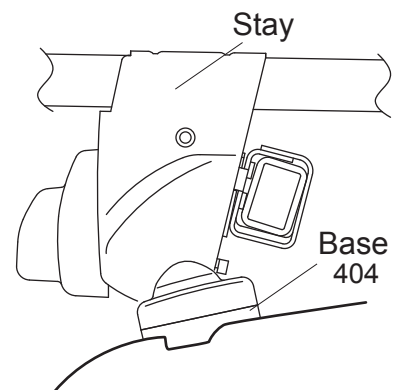
	Hook number
Front hook	142
Center hook	142

■ Hook / base installation position

Front



Rear

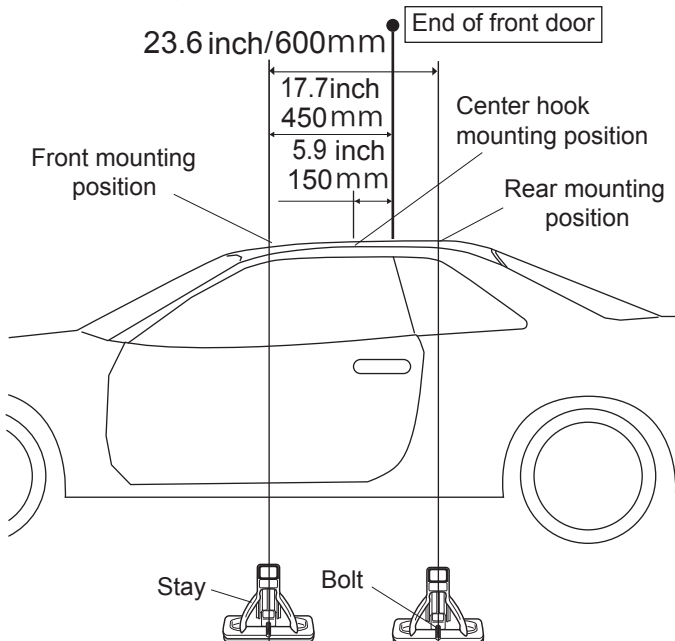


Install Bases

	Base number
Front base	404
Rear base	404

Mounting positions

● Position the stays so that bolts align at specified mounting points.



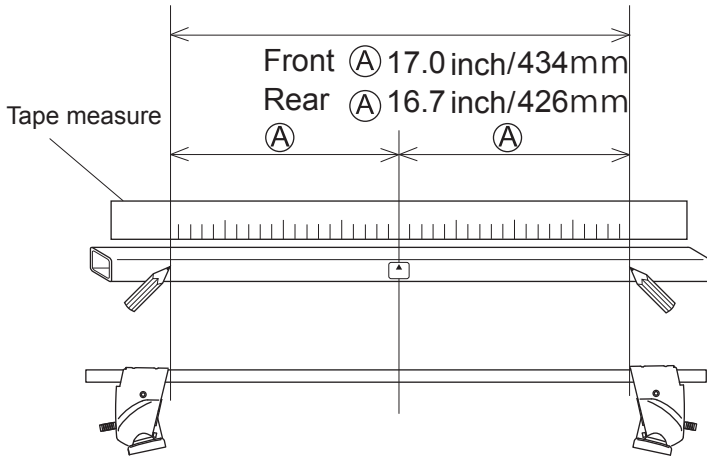
Note

- Hook installation position for center hook is the same as front carrier.
- When knob is tightened, base moves slightly outward to the position illustrated above.

Manufacturer	Model	Type	Year	Maximum loading capacity	Bikes
HONDA	CIVIC	3 door hatchback	1992 -1995	140 lbs (64 kg) (Load + Base rack + Attachments)	3

Maximum loading capacity is 64 kg (140 lbs) for this vehicle type.

Stay interior dimensions
 Front 34.1 inch/ 868 mm
 Rear 33.5 inch/ 852 mm

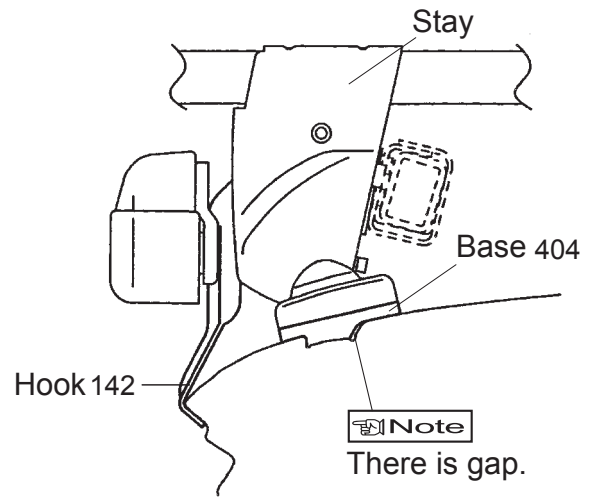


Loosely attach hooks

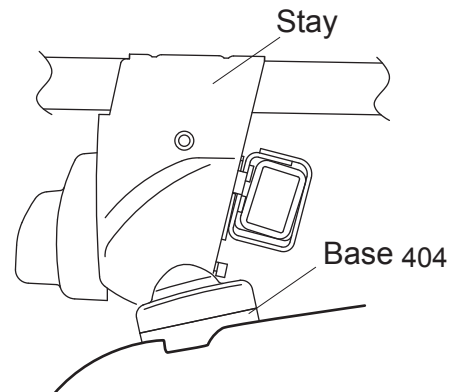
	Hook number
Front hook	142
Center hook	142

■ Hook / base installation position

Front



Rear

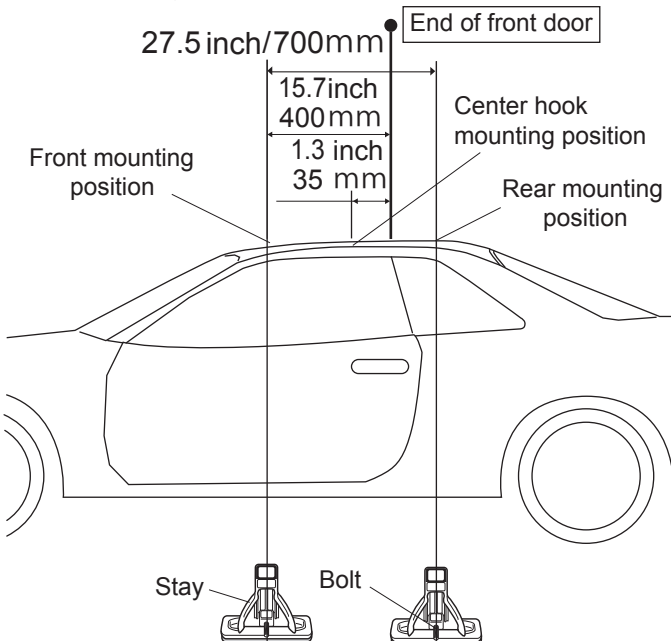


Install Bases

	Base number
Front base	404
Rear base	404

Mounting positions

● Position the stays so that bolts align at specified mounting points.



Note

- Hook installation position for center hook is the same as front carrier.
- When knob is tightened, base moves slightly outward to the position illustrated above.

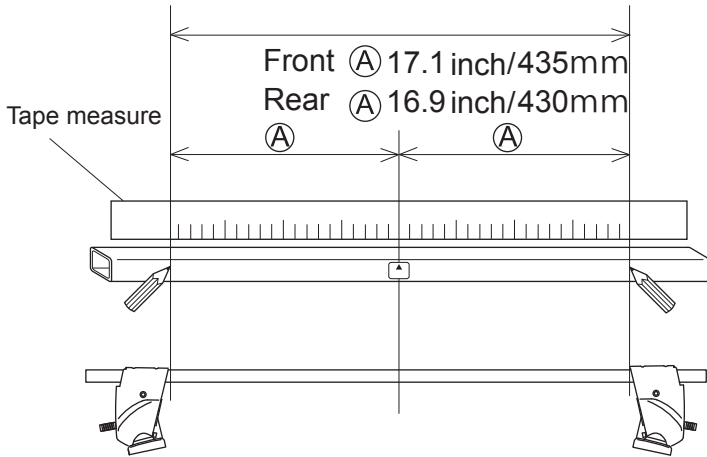
Manufacturer	Model	Type	Year	Maximum loading capacity	Bikes
HONDA	CIVIC	2 door coupe	1993 -1995	140 lbs (64 kg) (Load + Base rack + Attachments)	3

Maximum loading capacity is 64 kg (140 lbs) for this vehicle type.

Stay interior dimensions

Front 34.2inch/ 870 mm

Rear 33.8inch/ 860 mm

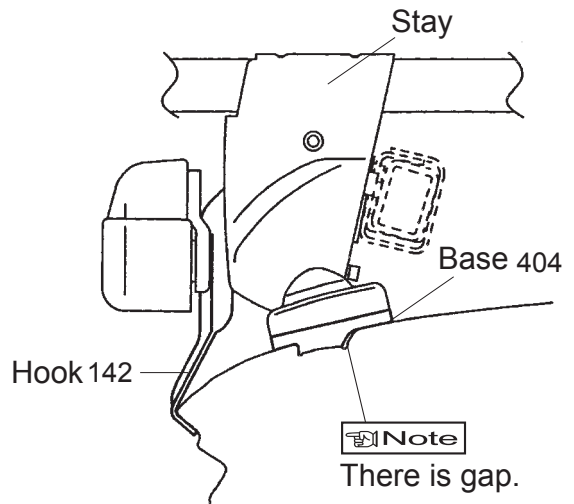


Loosely attach hooks

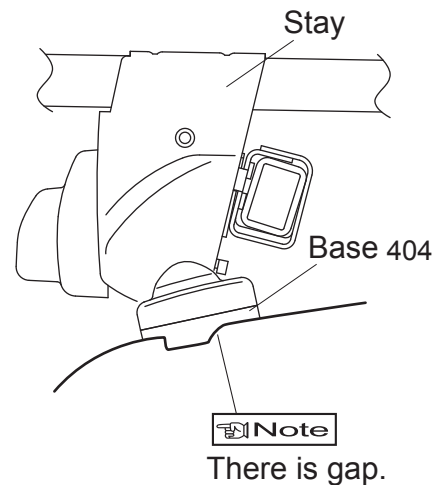
	Hook number
Front hook	142
Center hook	142

Hook / base installation position

Front



Rear

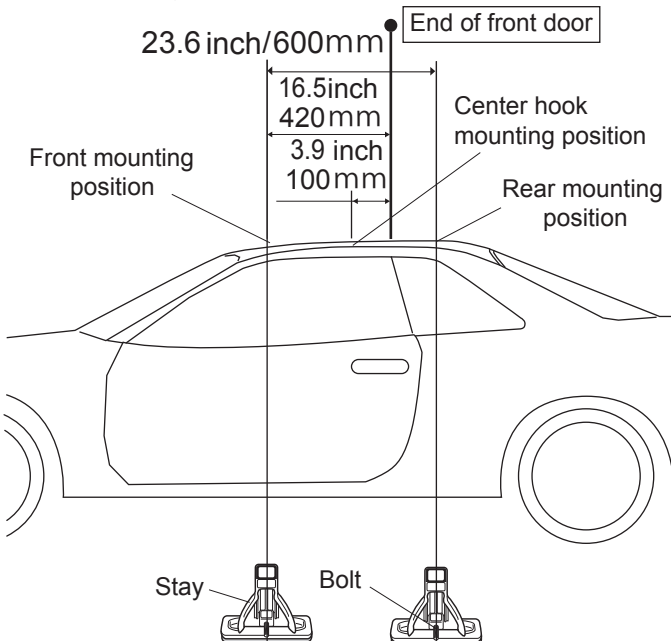


Install Bases

	Base number
Front base	404
Rear base	404

Mounting positions

Position the stays so that bolts align at specified mounting points.



Note

- Hook installation position for center hook is the same as front carrier.
- When knob is tightened, base moves slightly outward to the position illustrated above.