

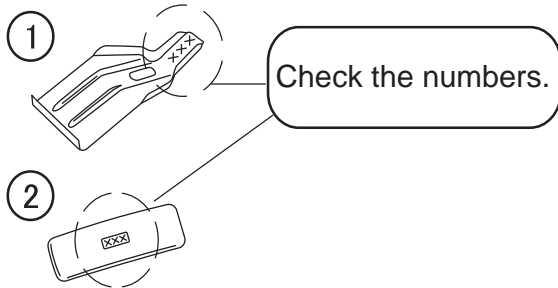
SU Fit Hooks K115

Installation Instructions

Before using the Mounting hooks, carefully read the installation instructions as well as the installation instructions for basic carrier systems, and follow all usage instructions. After reading the installation instructions, keep it in a safe place along with the installation instructions for basic carrier systems. If you are to give the mounting hooks to a third person, provide the installation instructions to ensure safe installation and usage.

For INNO dedicated ski & snowboard carriers, read the carrier installation instructions to determine proper mounting locations.

The SU Mounting hooks include the parts listed below. Verify that all of these parts are included in the carrier system you have purchased.



No.	Part	# of Part	Qty
1	Hook	196	4
2	Base	412	4

NOTE

The specifications or external appearance of this product or any of the genuine spare parts may be changed for improvement without prior notification.

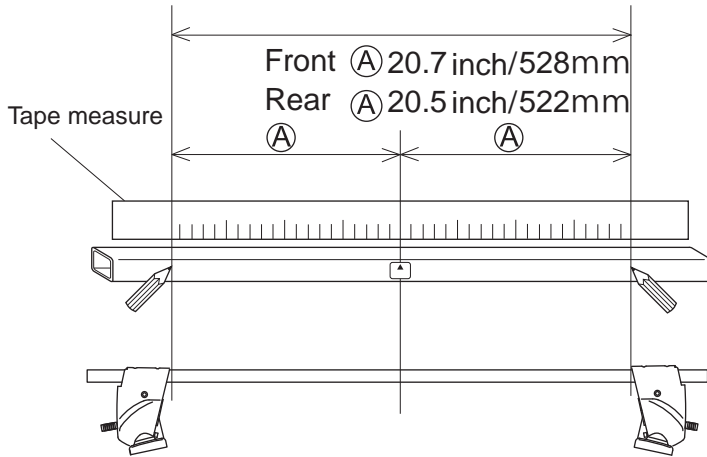
Manufacturer	Model	Type	Year	Maximum loading capacity	Bikes
ACURA	SLX		1996 -1999	165 lbs (75 kg) (Load + Base rack + Attachments)	4
ISUZU	TROOPER		1992 -2003		

Maximum loading capacity is 75 kg (165 lbs) for this vehicle type.

Stay interior dimensions

Front 41.5 inch/1056 mm

Rear 41.1 inch/1044 mm

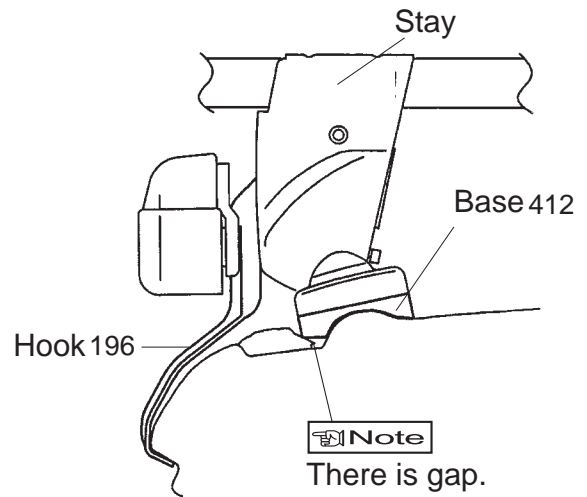


Loosely attach hooks

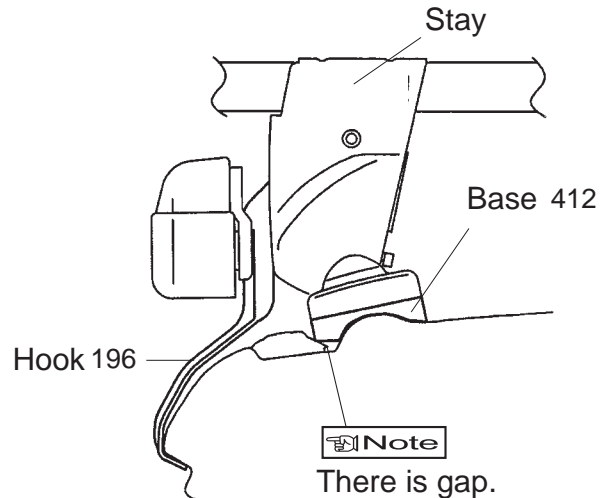
	Hook number
Front hook	196
Rear hook	196

■ Hook / base installation position

Front



Rear



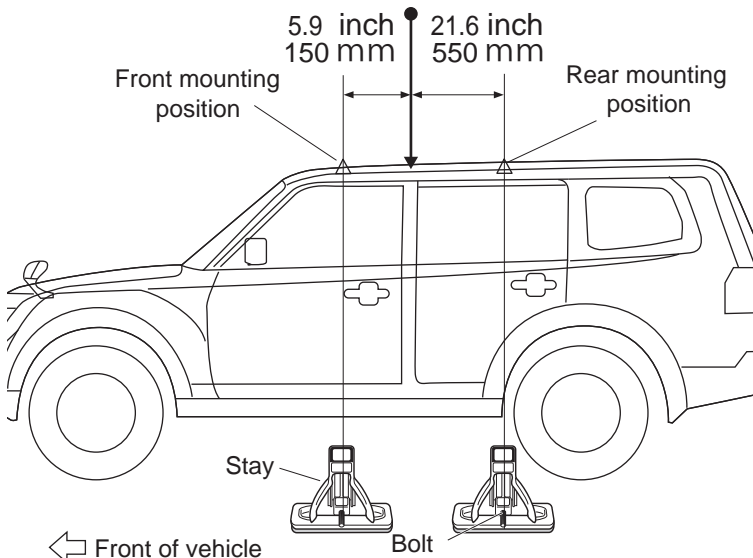
Install Bases

	Base number
Front base	412
Rear base	412

Mounting positions

● Position the stays so that bolts align at specified mounting points.

Gap between front and rear doors



Note

● When knob is tightened, base moves slightly outward to the position illustrated above.