

# SU Fit Hooks K108

## Installation Instructions

Before using the Mounting hooks, carefully read the installation instructions as well as the installation instructions for basic carrier systems, and follow all usage instructions. After reading the installation instructions, keep it in a safe place along with the installation instructions for basic carrier systems. If you are to give the mounting hooks to a third person, provide the installation instructions to ensure safe installation and usage.

### **WARNING**

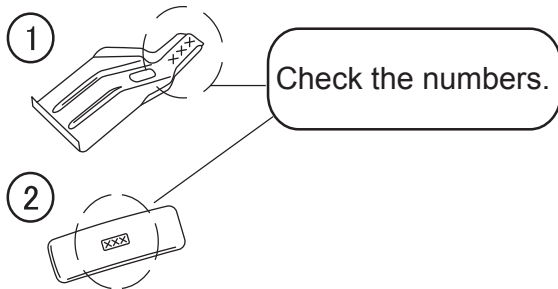
Install hooks correctly at specified positions according to the installation instructions herein and the installation instructions for the applicable carrier system. Installation positions of hooks depend on the vehicle type. If hooks are not installed at specified positions, the carrier may fall and cause accidents.

Do not use these hooks for attachments of non-specified types.  
The carrier may fall and cause accidents.

Observe the specified loading conditions.  
Failure to observe the loading condition may cause the carrier to break or loosen and fall, resulting in accidents.

For INNO dedicated ski & snowboard carriers, read the carrier installation instructions to determine proper mounting locations.

The SU Mounting hooks include the parts listed below. Verify that all of these parts are included in the carrier system you have purchased.



No.	Part	# of Part	Qty
1	Hook	111	4
2	Base	411	4

#### **NOTE**

The specifications or external appearance of this product or any of the genuine spare parts may be changed for improvement without prior notification.

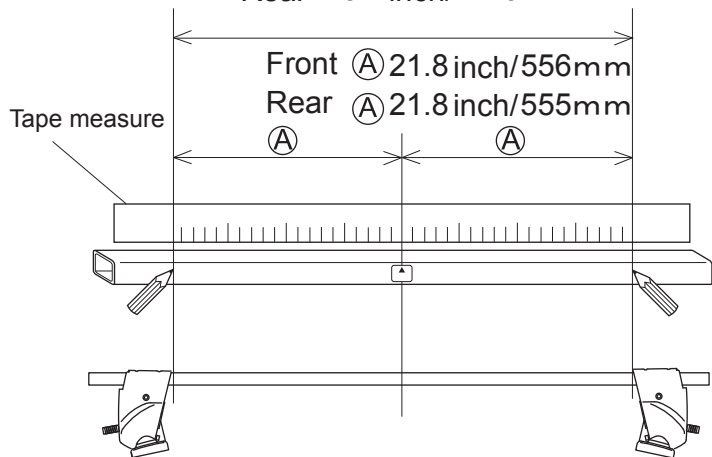
Manufacturer	Model	Type	Year	Maximum loading capacity	Bikes
MERCEDES BENZ	S-CLASS	4 door	1992 -1999	165 lbs ( 75 kg)  ( Load + Base rack + Attachments )	4
	S-CLASS L		1992 -1998		

Maximum loading capacity is 75 kg (165 lbs) for this vehicle type.

Stay interior dimensions

Front 43.7 inch/1112 mm

Rear 43.7 inch/1110 mm

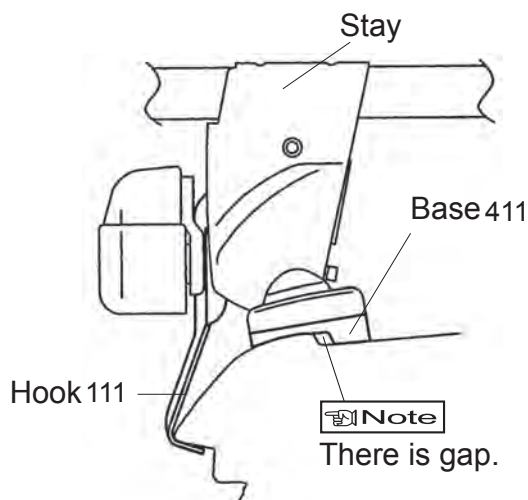


Loosely attach hooks

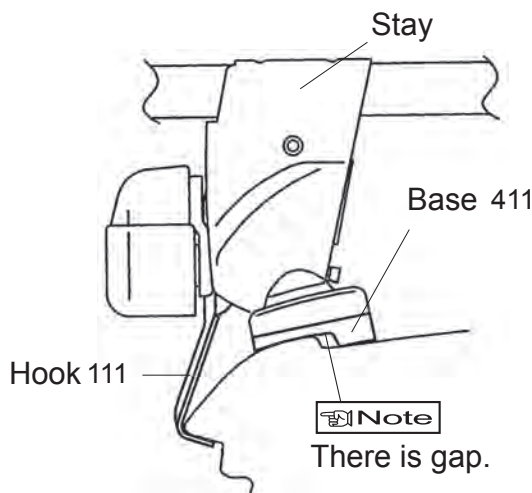
	Hook number
Front hook	111
Rear hook	111

■ Hook / base installation position

Front



Rear



Note

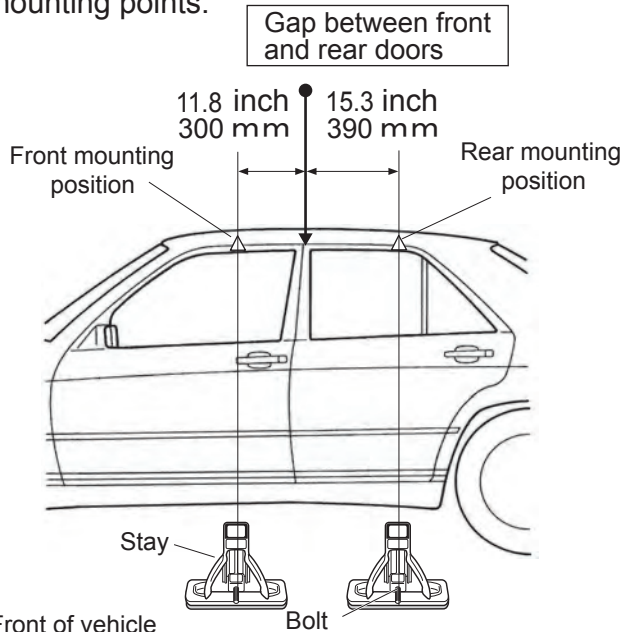
● When knob is tightened, base moves slightly outward to the position illustrated above.

Install Bases

	Base number
Front base	411
Rear base	411

Mounting positions

● Position the stays so that bolts align at specified mounting points.



← Front of vehicle

Bolt

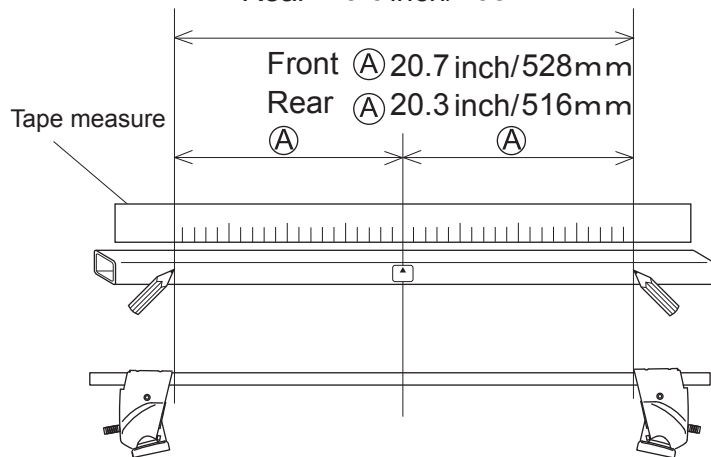
Manufacturer	Model	Type	Year	Maximum loading capacity	Bikes
TOYOTA	PRIUS	5 door	2004-2009	165 lbs ( 75 kg) ( Load + Base rack + Attachments )	4

Maximum loading capacity is 75 kg (165 lbs) for this vehicle type.

Stay interior dimensions

Front 41.5 inch/1056 mm

Rear 40.6 inch/1032 mm

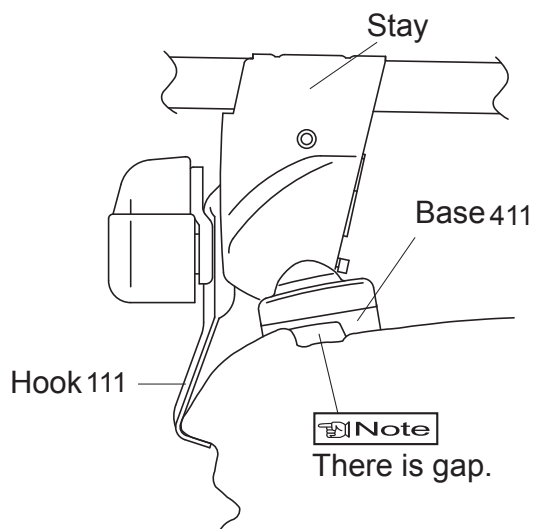


Loosely attach hooks

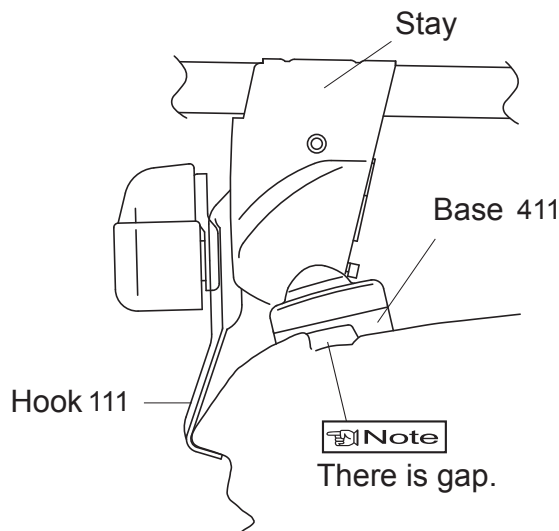
	Hook number
Front hook	111
Rear hook	111

Hook / base installation position

Front



Rear



Note

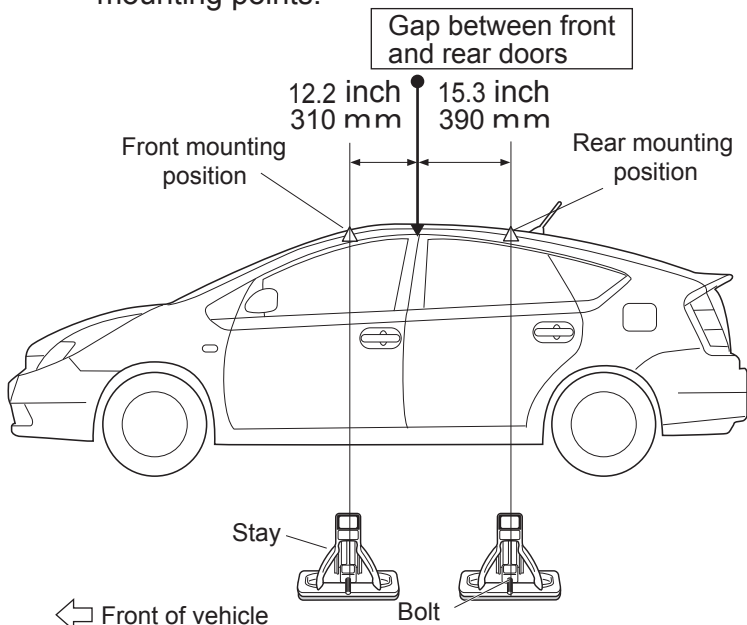
When knob is tightened, base moves slightly outward to the position illustrated above.

Install Bases

	Base number
Front base	411
Rear base	411

Mounting positions

- Position the stays so that bolts align at specified mounting points.



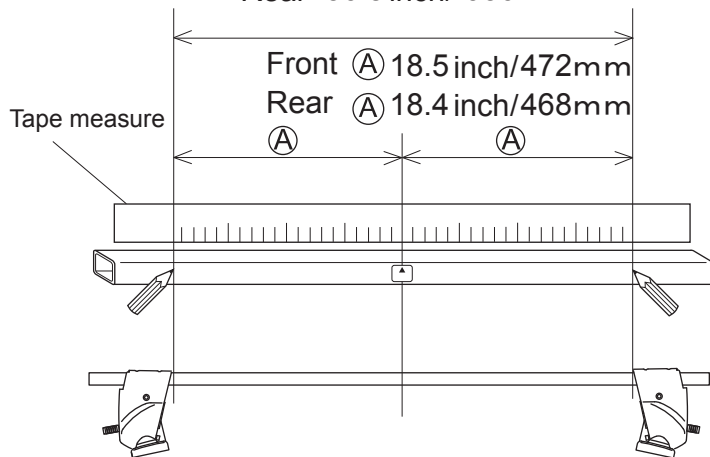
Manufacturer	Model	Type	Year	Maximum loading capacity	Bikes
TOYOTA	RAV4	5 door	1996 -2000	100 lbs ( 45 kg)  ( Load + Base rack + Attachments )	2

Maximum loading capacity is 45 kg (100 lbs) for this vehicle type.

Stay interior dimensions

Front 37.1 inch/ 944 mm

Rear 36.8 inch/ 936 mm

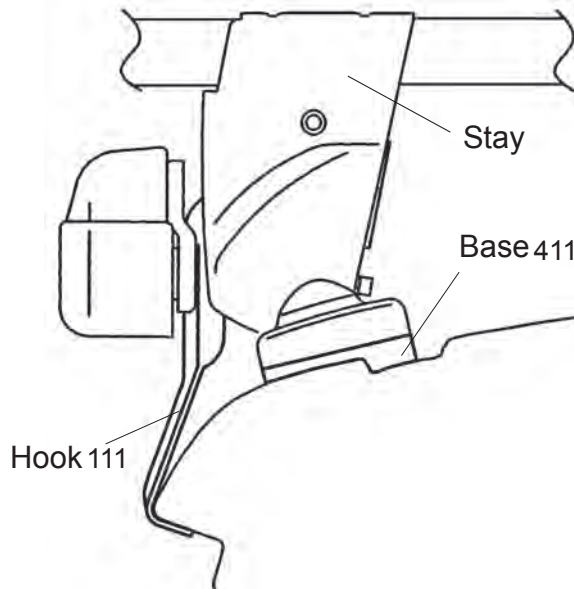


Loosely attach hooks

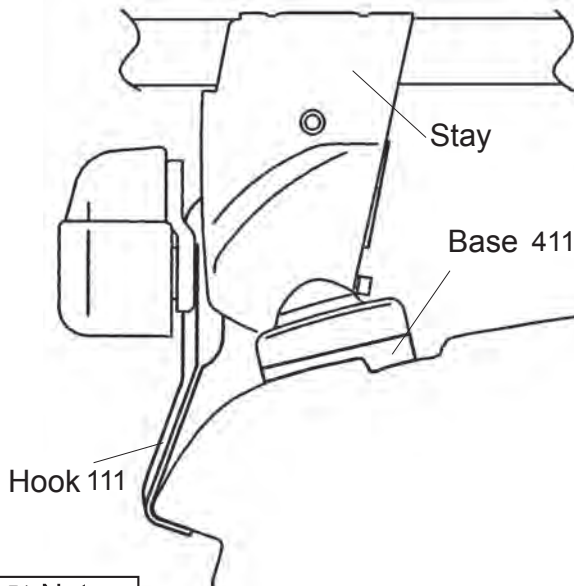
	Hook number
Front hook	111
Rear hook	111

■ Hook / base installation position

Front



Rear



Note

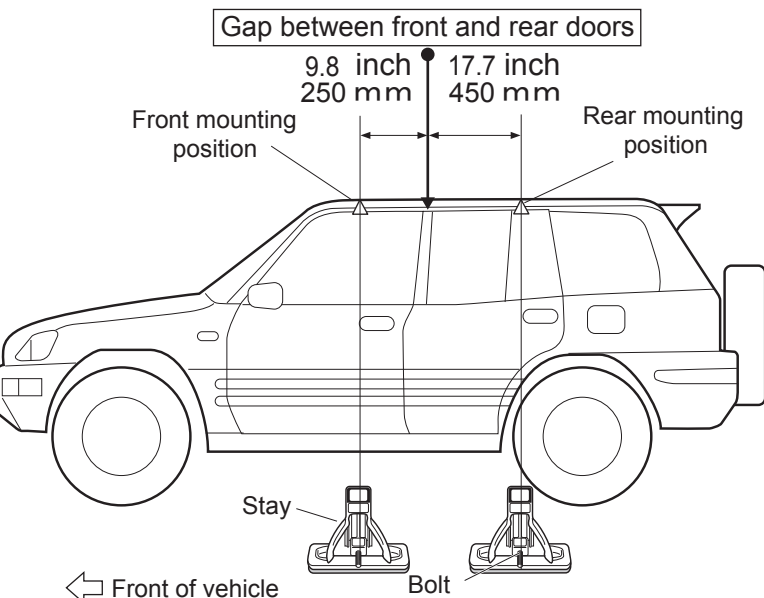
● When knob is tightened, base moves slightly outward to the position illustrated above.

Install Bases

	Base number
Front base	411
Rear base	411

Mounting positions

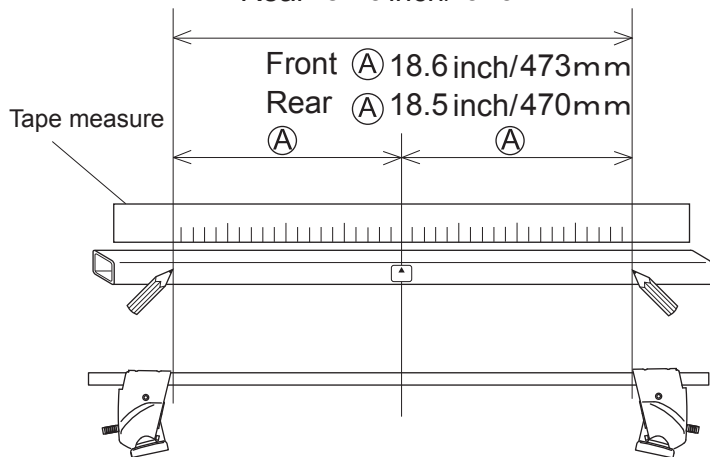
- Position the stays so that bolts align at specified mounting points.



Manufacturer	Model	Type	Year	Maximum loading capacity	Bikes
TOYOTA	RAV4	3 door	1995-2000	80 lbs ( 36 kg) ( Load + Base rack + Attachments )	2

Maximum loading capacity is 36 kg ( 80 lbs) for this vehicle type.

Stay interior dimensions  
Front 37.2inch/ 946 mm  
Rear 37.0inch/ 940 mm

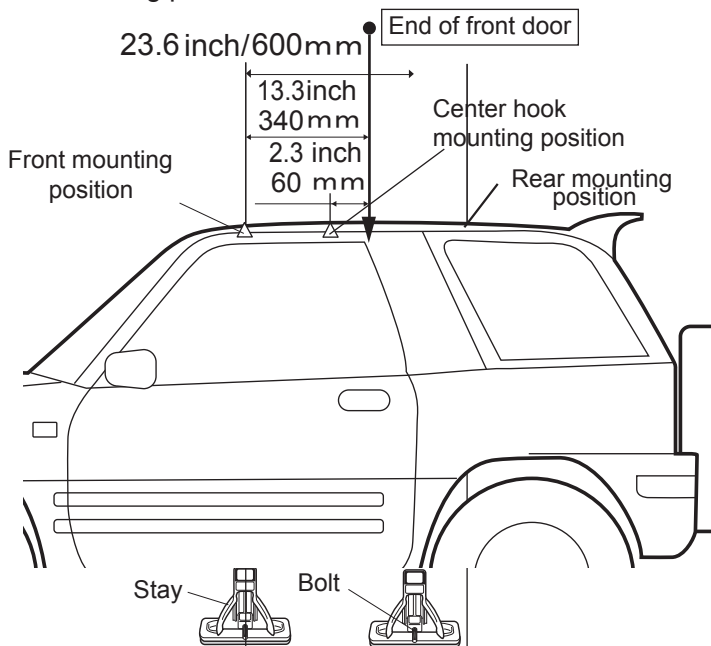


Install Bases

	Base number
Front base	411
Rear base	411

Mounting positions

- Position the stays so that bolts align at specified mounting points.

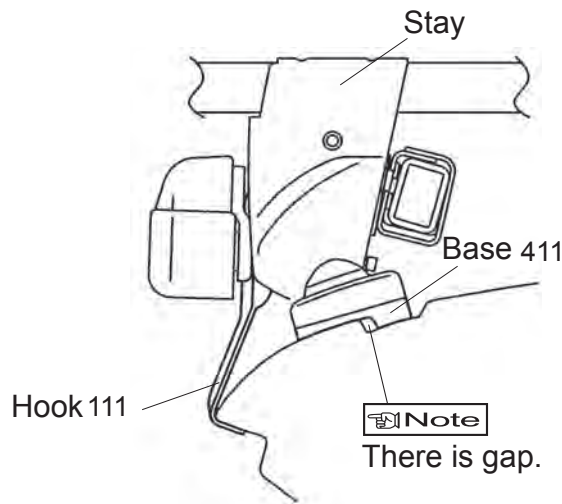


Loosely attach hooks

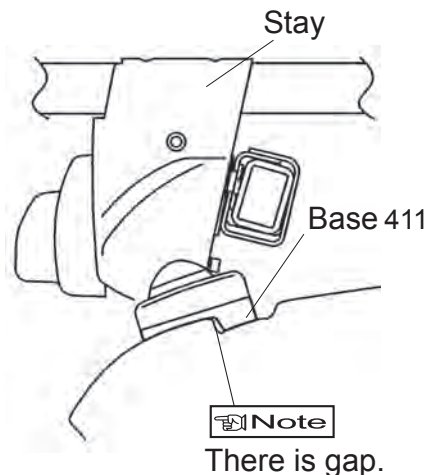
	Hook number
Front hook	111
Center hook	111

- Hook / base installation position

Front



Rear



Note

- Hook installation position for center hook is the same as front carrier.
- When knob is tightened, base moves slightly outward to the position illustrated above.