

SU Fit Hooks K106

Installation Instructions

Before using the Mounting hooks, carefully read the installation instructions as well as the installation instructions for basic carrier systems, and follow all usage instructions. After reading the installation instructions, keep it in a safe place along with the installation instructions for basic carrier systems. If you are to give the mounting hooks to a third person, provide the installation instructions to ensure safe installation and usage.

WARNING

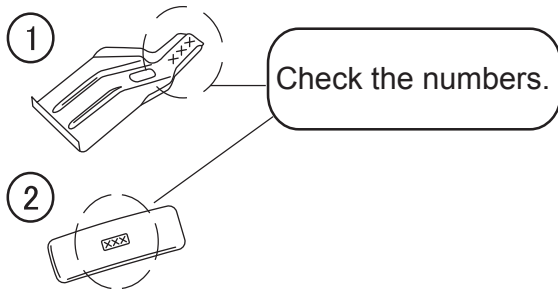
Install hooks correctly at specified positions according to the installation instructions herein and the installation instructions for the applicable carrier system. Installation positions of hooks depend on the vehicle type. If hooks are not installed at specified positions, the carrier may fall and cause accidents.

Do not use these hooks for attachments of non-specified types.
The carrier may fall and cause accidents.

Observe the specified loading conditions.
Failure to observe the loading condition may cause the carrier to break or loosen and fall, resulting in accidents.

For INNO dedicated ski & snowboard carriers, read the carrier installation instructions to determine proper mounting locations.

The SU Mounting hooks include the parts listed below. Verify that all of these parts are included in the carrier system you have purchased.



No.	Part	# of Part	Qty
1	Hook	232	4
2	Base	401	4

NOTE

The specifications or external appearance of this product or any of the genuine spare parts may be changed for improvement without prior notification.

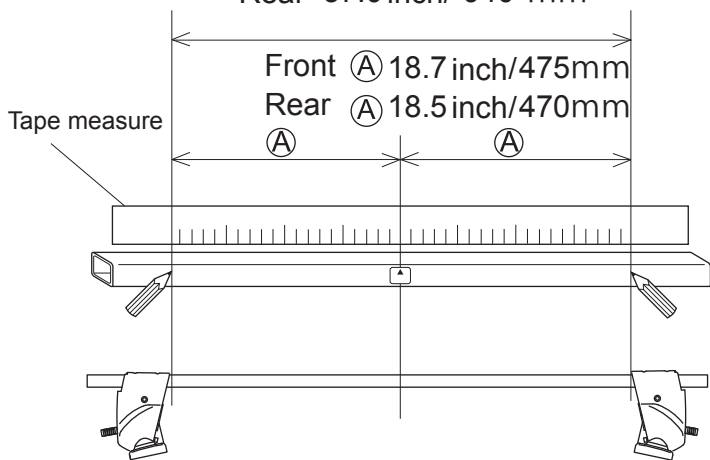
Manufacturer	Model	Type	Year	Maximum loading capacity	Bikes
SAAB	9-2X	Wagon	2005 -2006	140 lbs (64 kg)	3
SUBARU	IMPENZA		2002 -2006	(Load + Base rack + Attachments)	

Maximum loading capacity is 64 kg (140 lbs) for this vehicle type.

Stay interior dimensions

Front 37.4 inch/ 950 mm

Rear 37.0 inch/ 940 mm

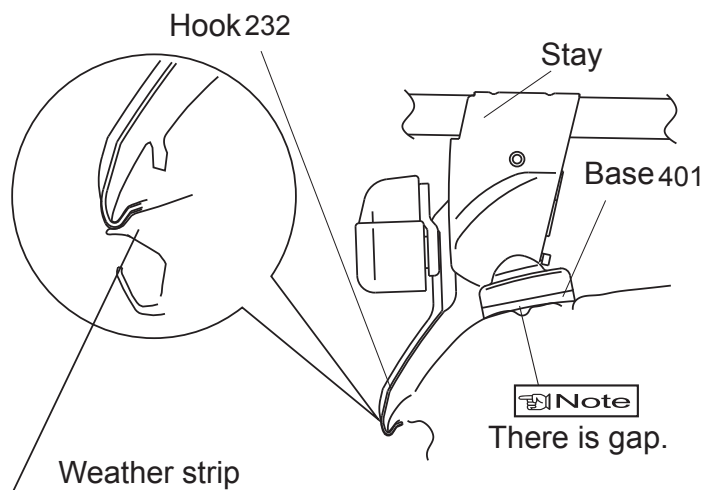


Loosely attach hooks

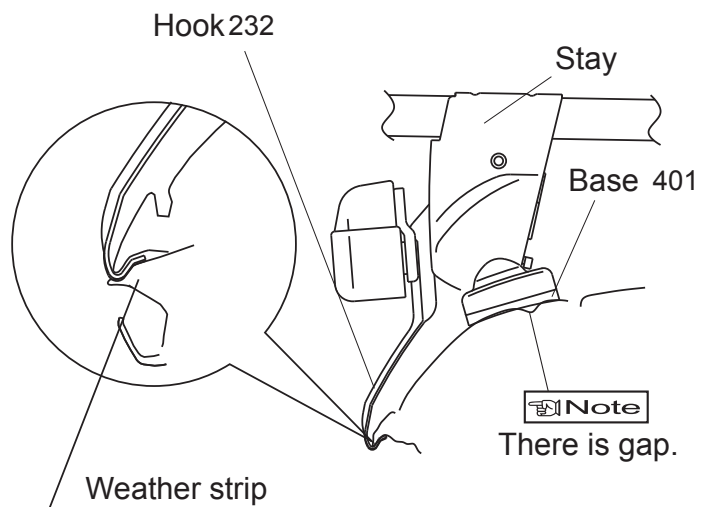
	Hook number
Front hook	232
Rear hook	232

■ Hook / base installation position

Front



Rear

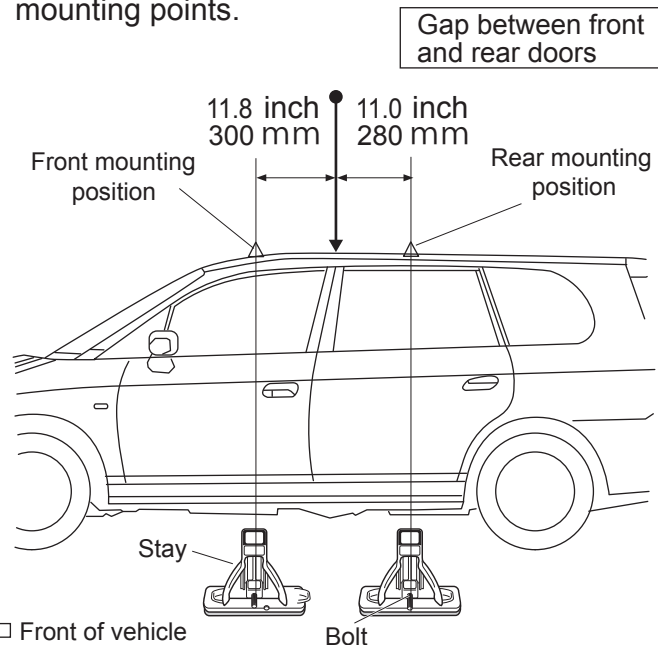


Install Bases

	Base number
Front base	401
Rear base	401

Mounting positions

● Position the stays so that bolts align at specified mounting points.



Note

● When knob is tightened, base moves slightly outward to the position illustrated above.

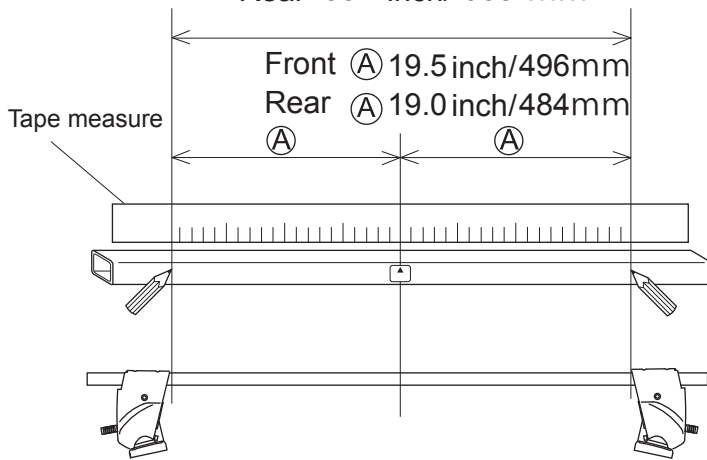
Manufacturer	Model	Type	Year	Maximum loading capacity	Bikes
SUBARU	IMPREZA	4 door sedan	2002 -2007	140 lbs (64 kg) (Load + Base rack + Attachments)	3

Maximum loading capacity is 64 kg (140 lbs) for this vehicle type.

Stay interior dimensions

Front 39.0 inch/ 992 mm

Rear 38.1 inch/ 968 mm

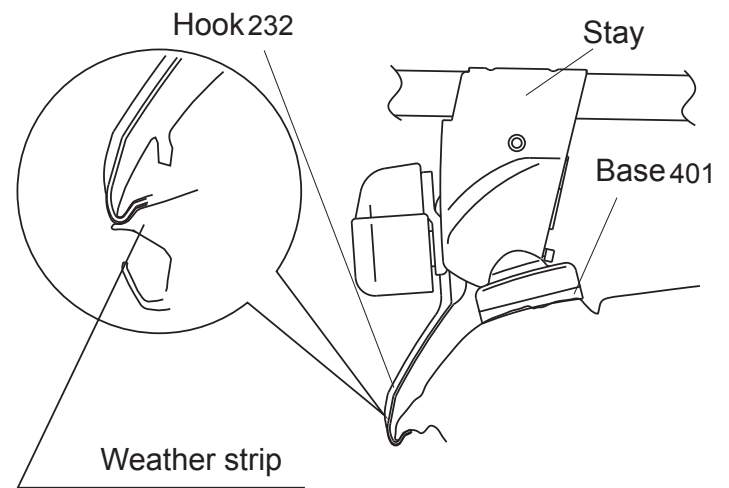


Loosely attach hooks

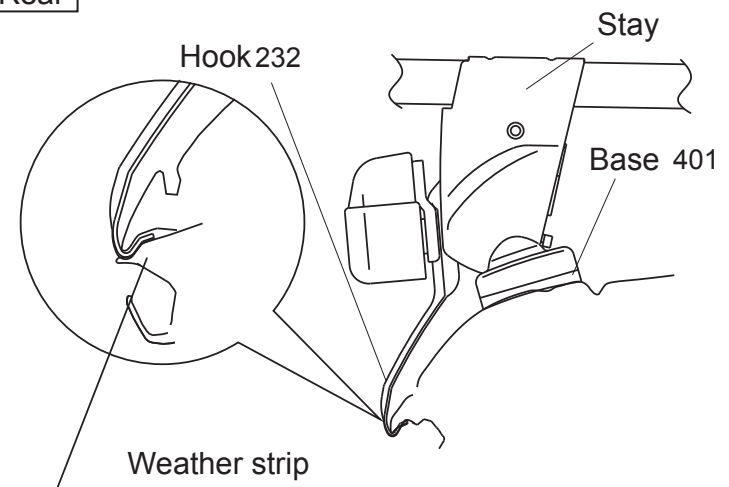
	Hook number
Front hook	232
Rear hook	232

■ Hook / base installation position

Front



Rear



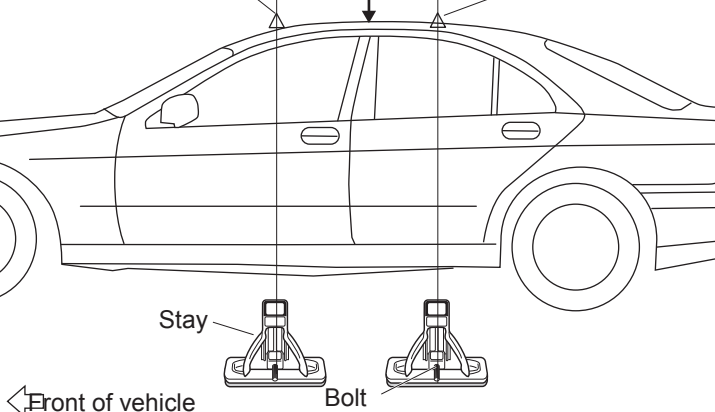
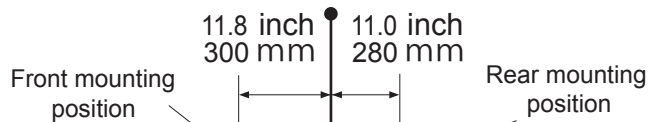
Install Bases

	Base number
Front base	401
Rear base	401

Mounting positions

- Position the stays so that bolts align at specified mounting points.

Gap between front and rear doors



Note

- When knob is tightened, base moves slightly outward to the position illustrated above.

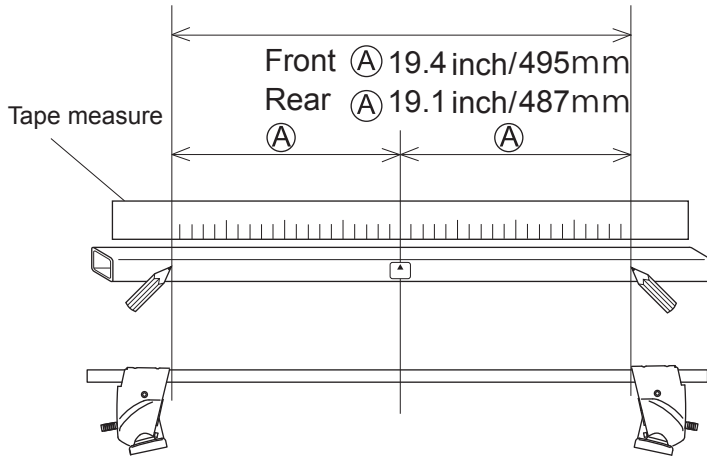
Manufacturer	Model	Type	Year	Maximum loading capacity	Bikes
SUBARU	LEGACY	4 door sedan	2000 -2004	80 lbs (36 kg) (Load + Base rack + Attachments)	2
	OUTBACK				

Maximum loading capacity is 36 kg (80 lbs) for this vehicle type.

Stay interior dimensions

Front 38.9inch/ 990 mm

Rear 38.3inch/ 974 mm

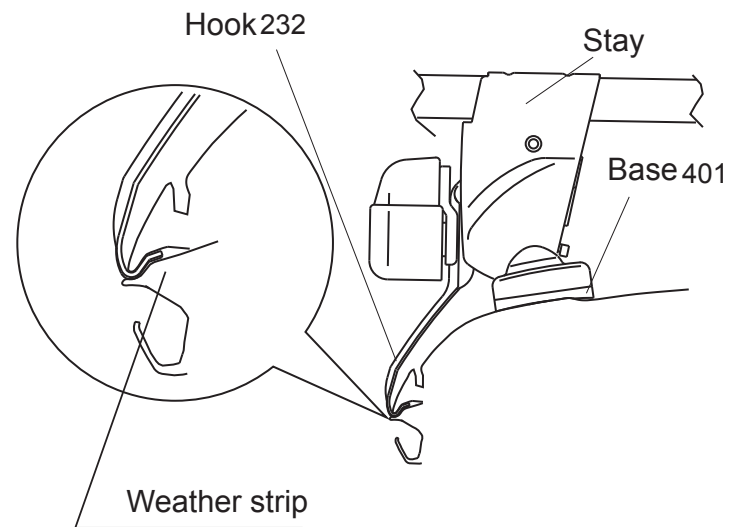


Loosely attach hooks

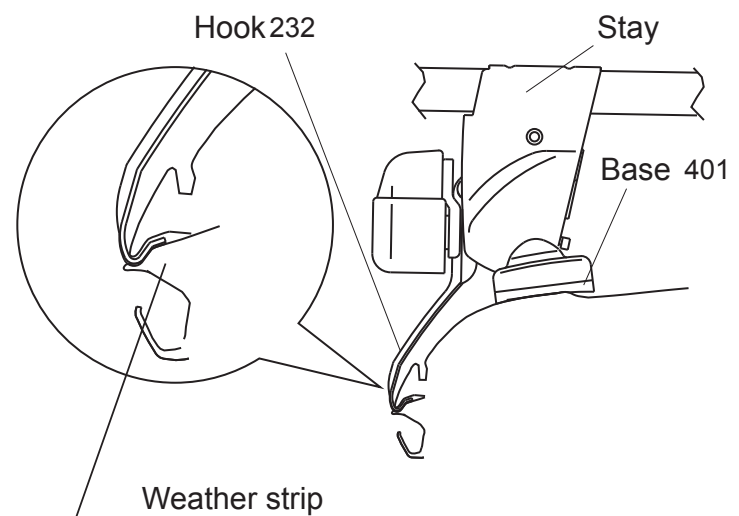
	Hook number
Front hook	232
Rear hook	232

■ Hook / base installation position

Front



Rear



Note

● When knob is tightened, base moves slightly outward to the position illustrated above.

Install Bases

	Base number
Front base	401
Rear base	401

Mounting positions

● Position the stays so that bolts align at specified mounting points.

Gap between front and rear doors

9.8 inch 250 mm
13.7 inch 350 mm

Front mounting position
Rear mounting position

