

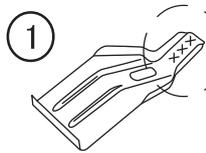
# SU Fit Hooks K101

## Installation Instructions

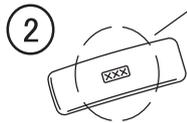
Before using the Mounting hooks, carefully read the installation instructions as well as the installation instructions for basic carrier systems, and follow all usage instructions. After reading the installation instructions, keep it in a safe place along with the installation instructions for basic carrier systems. If you are to give the mounting hooks to a third person, provide the installation instructions to ensure safe installation and usage.

For INNO dedicated ski & snowboard carriers, read the carrier installation instructions to determine proper mounting locations.

The SU Mounting hooks include the parts listed below. Verify that all of these parts are included in the carrier system you have purchased.



Check the numbers.



No.	Part	# of Part	Qty
1	Hook	398	4
2	Base	401	4

**NOTE**

The specifications or external appearance of this product or any of the genuine spare parts may be changed for improvement without prior notification.

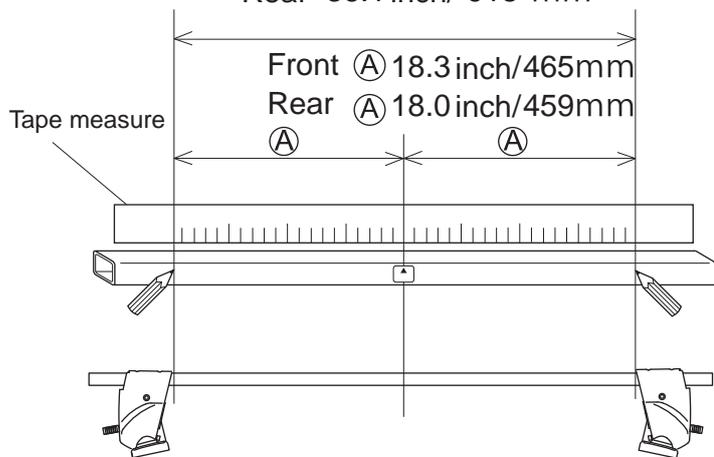
Manufacturer	Model	Type	Year	Maximum loading capacity	Bikes
INFINITI	G20	Sedan	1991-1996	120 lbs ( 55 kg) ( Load + Base rack + Attachments )	3

Maximum loading capacity is 55 kg (120 lbs) for this vehicle type.

Stay interior dimensions

Front 36.6 inch/ 930 mm

Rear 36.1 inch/ 918 mm

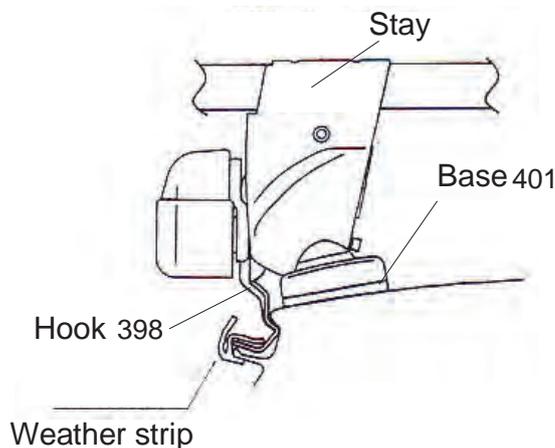


Loosely attach hooks

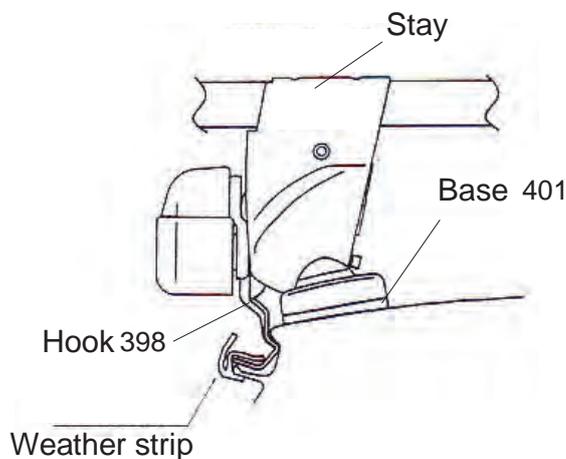
	Hook number
Front hook	398
Rear hook	398

■ Hook / base installation position

Front



Rear



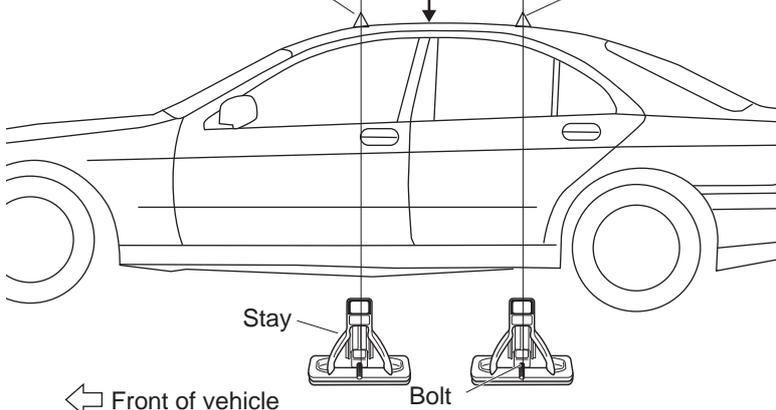
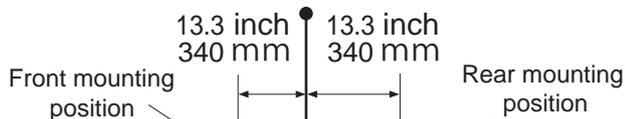
Install Bases

	Base number
Front base	401
Rear base	401

Mounting positions

- Position the stays so that bolts align at specified mounting points.

Gap between front and rear doors



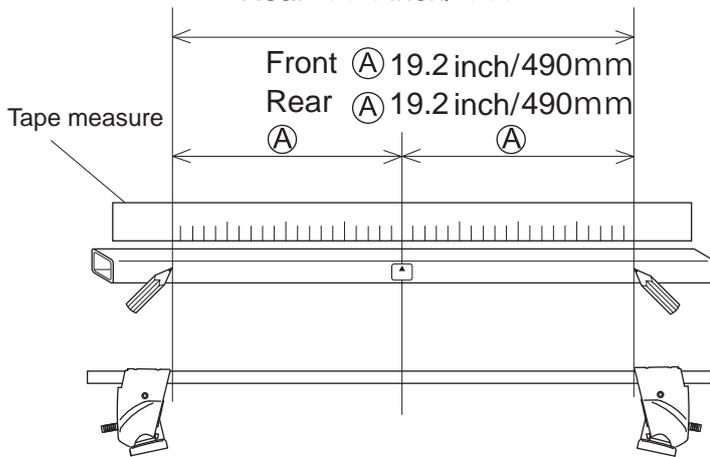
Note

- When knob is tightened, base moves slightly outward to the position illustrated above.

Manufacturer	Model	Type	Year	Maximum loading capacity	Bikes
NISSAN	MAXIMA	4 door sedan	1995 -1999	140 lbs ( 64 kg)	3
INFINITI	I30	4 door	1996 -1999	( Load + Base rack + Attachments )	

Maximum loading capacity is 64 kg (140 lbs) for this vehicle type.

Stay interior dimensions  
 Front 38.5inch/ 980 mm  
 Rear 38.5inch/ 980 mm



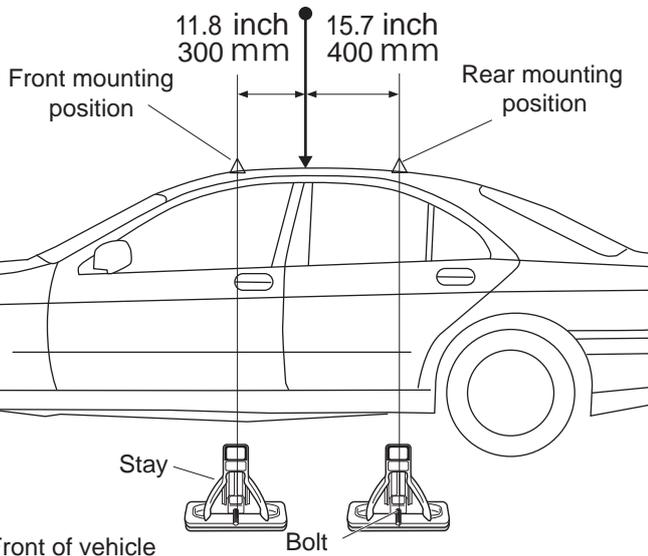
**Install Bases**

	Base number
Front base	401
Rear base	401

**Mounting positions**

- Position the stays so that bolts align at specified mounting points.

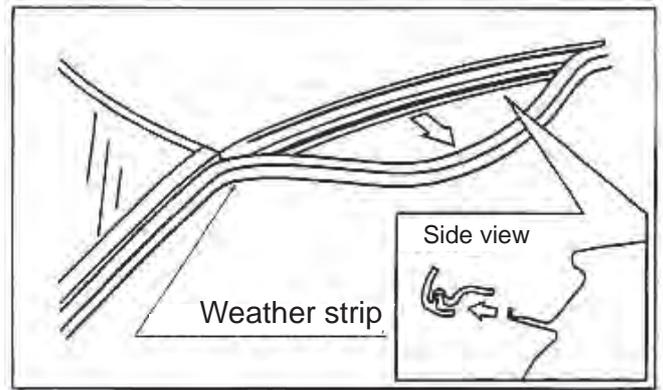
Gap between front and rear doors



**Loosely attach hooks**

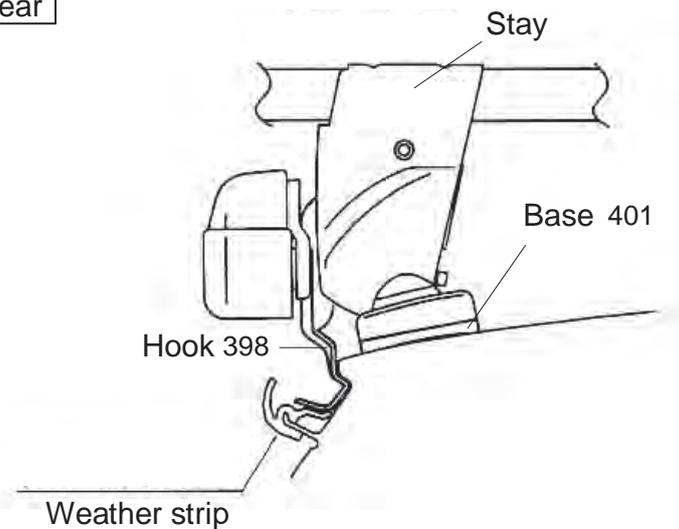
	Hook number
Front hook	398
Rear hook	398

- Hook / base installation position



Front

Rear



- Replace the weather strip back to original position.

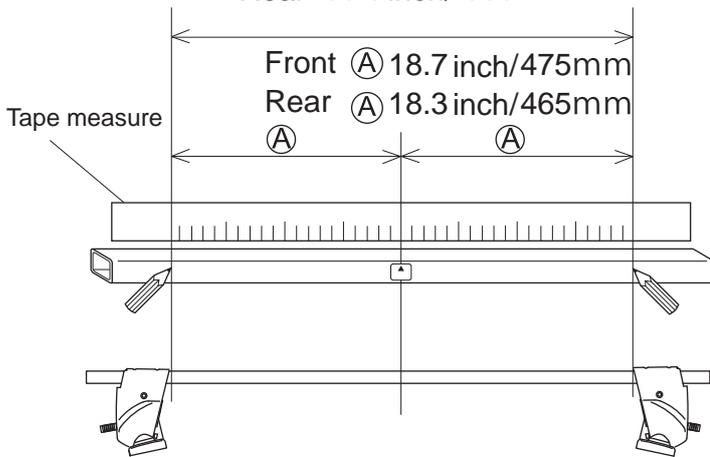
**Note**

- When knob is tightened, base moves slightly outward to the position illustrated above.

Manufacturer	Model	Type	Year	Maximum loading capacity	Bikes
NISSAN	ALTIMA	4 door sedan	1993 -1997	120 lbs ( 55 kg)  ( Load + Base rack + Attachments )	2

Maximum loading capacity is 55 kg (120 lbs) for this vehicle type.

Stay interior dimensions  
Front 37.4inch/ 950 mm  
Rear 36.6inch/ 930 mm



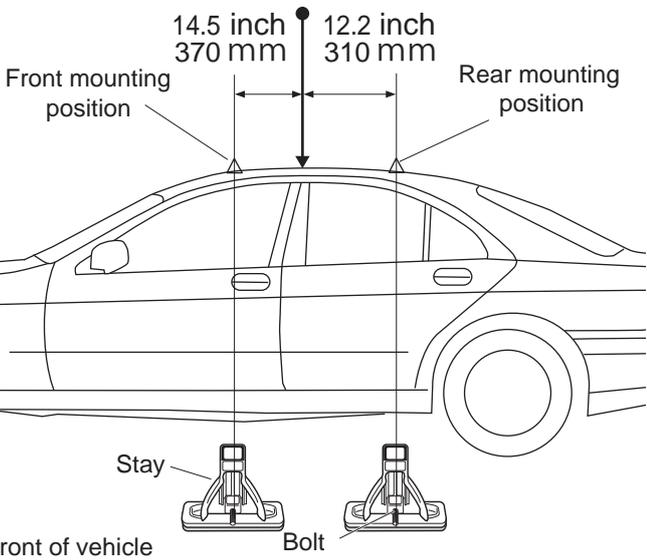
**Install Bases**

	Base number
Front base	401
Rear base	401

**Mounting positions**

- Position the stays so that bolts align at specified mounting points.

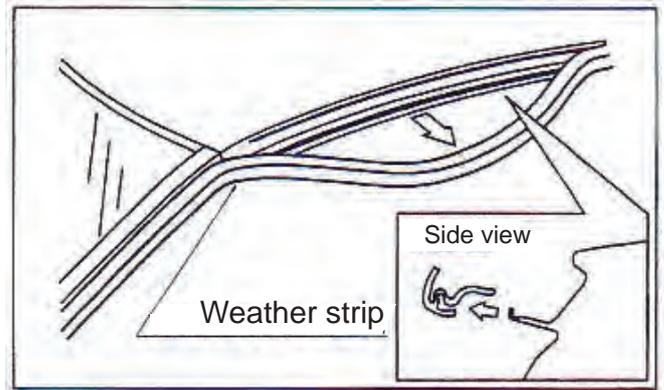
Gap between front and rear doors



**Loosely attach hooks**

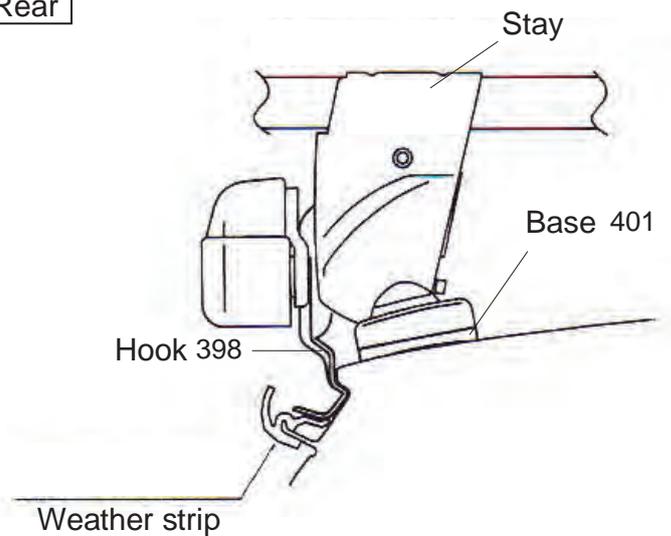
	Hook number
Front hook	398
Rear hook	398

- Hook / base installation position



Front

Rear



- Replace the weather strip back to original position.

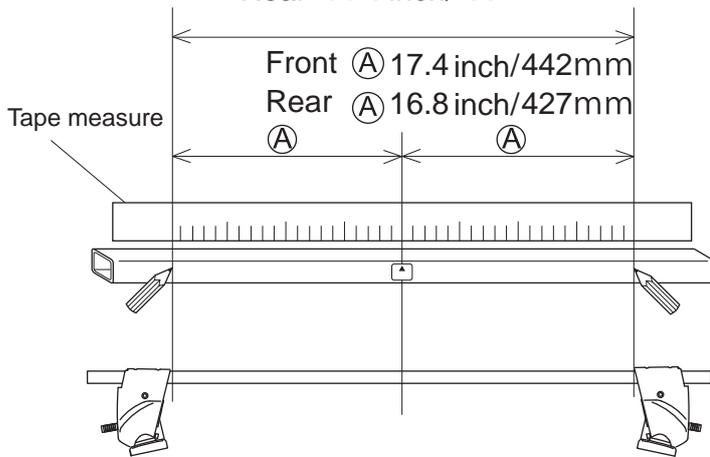
**Note**

- When knob is tightened, base moves slightly outward to the position illustrated above.

Manufacturer	Model	Type	Year	Maximum loading capacity	Bikes
NISSAN	SENTRA	4 door	1991 -1994	120 lbs ( 55 kg) ( Load + Base rack + Attachments )	2

Maximum loading capacity is 55 kg (120 lbs) for this vehicle type.

Stay interior dimensions  
 Front 34.8inch/ 884 mm  
 Rear 33.6inch/ 854 mm



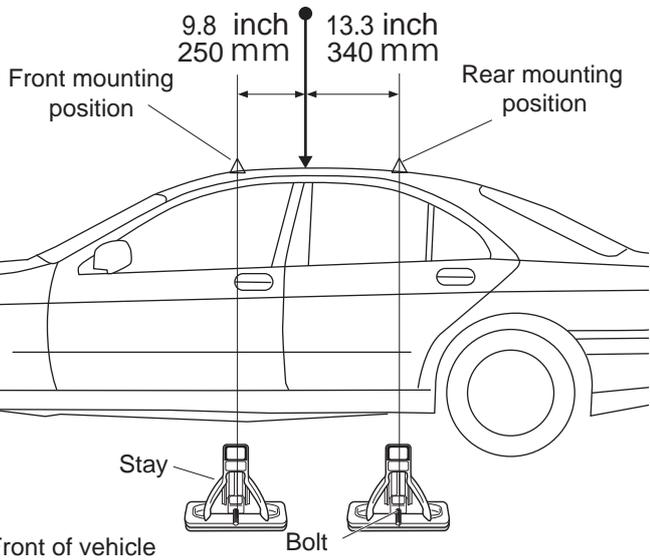
**Install Bases**

	Base number
Front base	401
Rear base	401

**Mounting positions**

- Position the stays so that bolts align at specified mounting points.

Gap between front and rear doors

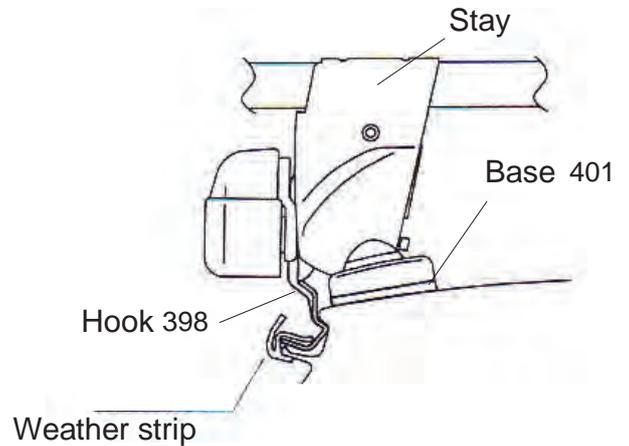


**Loosely attach hooks**

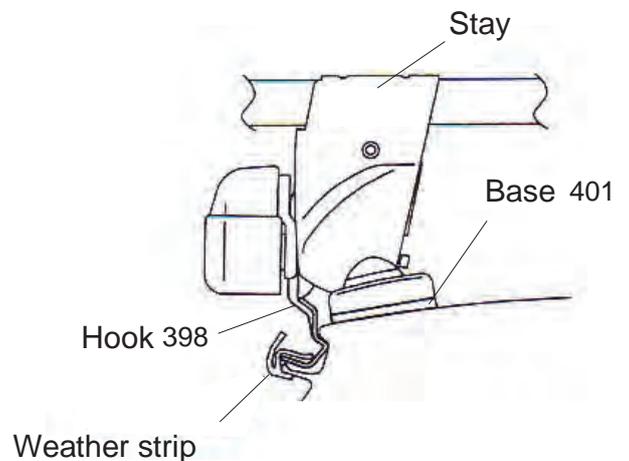
	Hook number
Front hook	398
Rear hook	398

- Hook / base installation position

**Front**



**Rear**



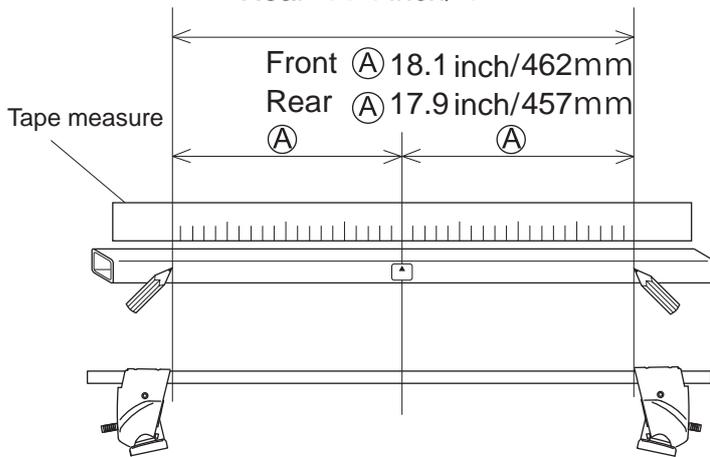
**Note**

- When knob is tightened, base moves slightly outward to the position illustrated above.

Manufacturer	Model	Type	Year	Maximum loading capacity	Bikes
NISSAN	SENTRA	4 door	1995 -1999	120 lbs ( 55 kg) ( Load + Base rack + Attachments )	2

Maximum loading capacity is 55 kg (120 lbs) for this vehicle type.

Stay interior dimensions  
 Front 36.3inch/ 924 mm  
 Rear 35.9inch/ 914 mm

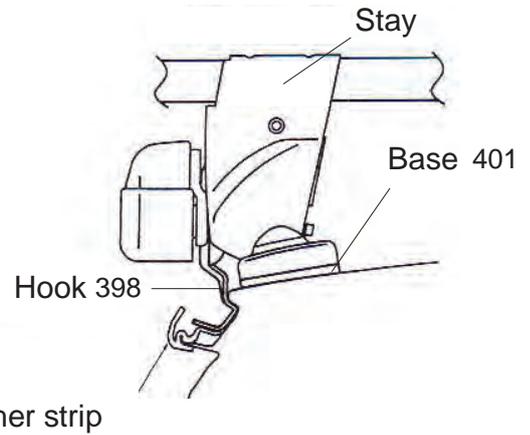


**Loosely attach hooks**

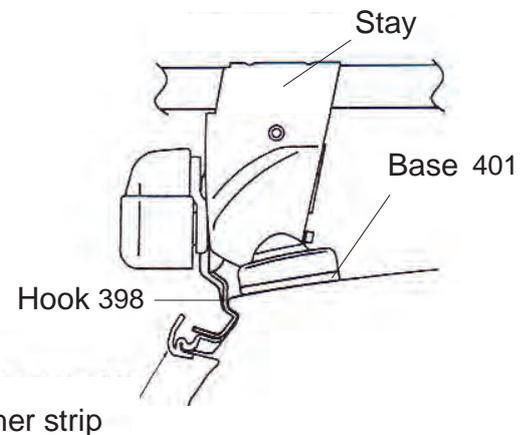
	Hook number
Front hook	398
Rear hook	398

■ Hook / base installation position

**Front**



**Rear**



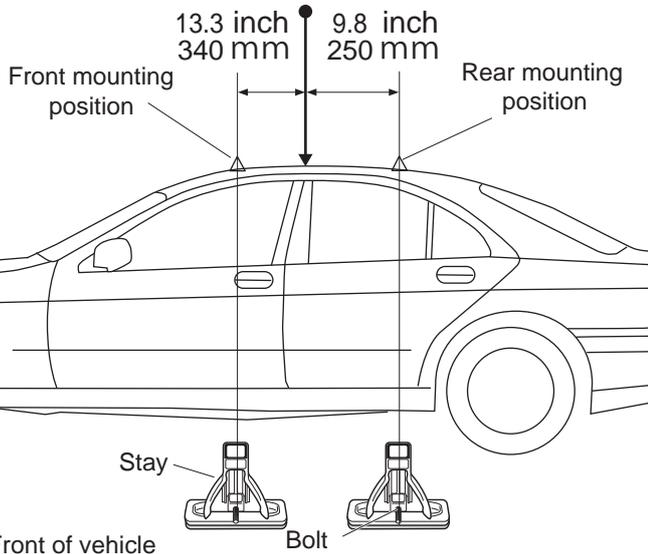
**Install Bases**

	Base number
Front base	401
Rear base	401

**Mounting positions**

● Position the stays so that bolts align at specified mounting points.

Gap between front and rear doors



**Note**

● When knob is tightened, base moves slightly outward to the position illustrated above.

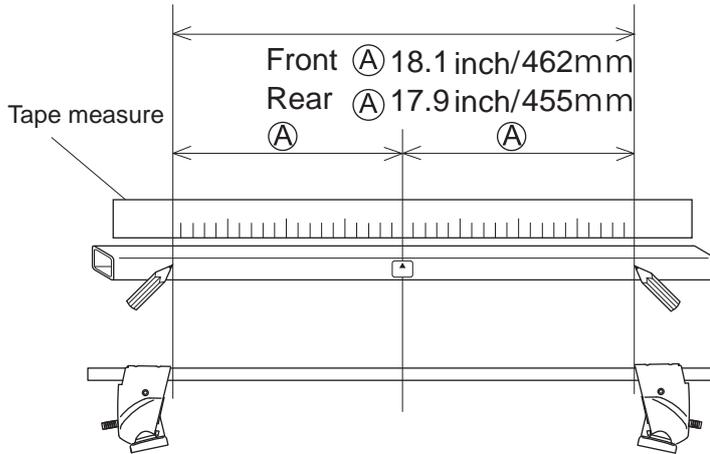
Manufacturer	Model	Type	Year	Maximum loading capacity	Bikes
NISSAN	200SX	COUPE	1995 -1998	80 lbs ( 36 kg)  ( Load + Base rack + Attachments )	2

Maximum loading capacity is 36 kg ( 80 lbs) for this vehicle type.

Stay interior dimensions

Front 36.3inch/ 924 mm

Rear 35.8inch/ 910 mm

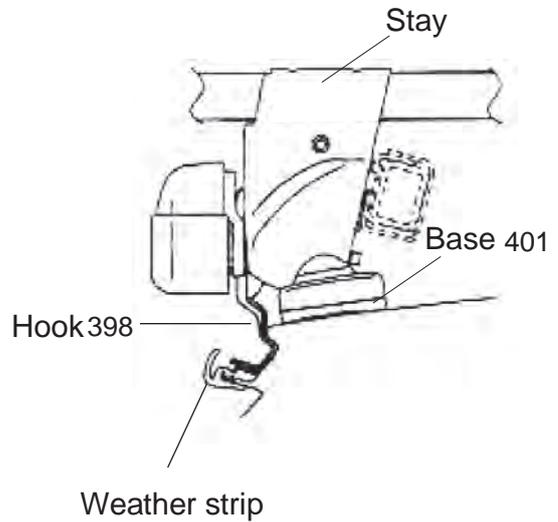


Loosely attach hooks

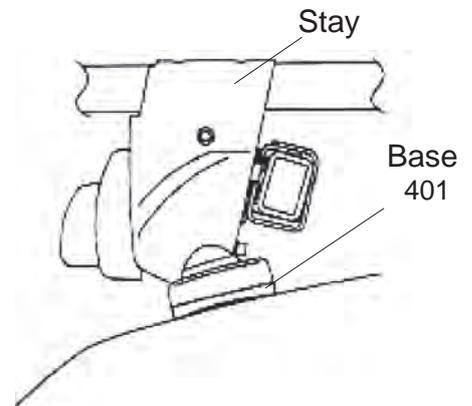
	Hook number
Front hook	398
Center hook	398

■ Hook / base installation position

Front



Rear

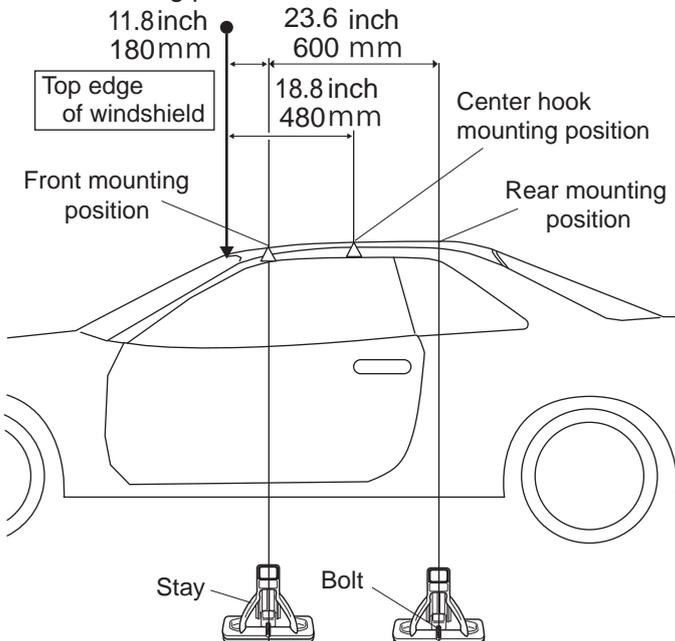


Install Bases

	Base number
Front base	401
Rear base	401

Mounting positions

● Position the stays so that bolts align at specified mounting points.



Note

- Hook installation position for center hook is the same as front carrier.
- When knob is tightened, base moves slightly outward to the position illustrated above.