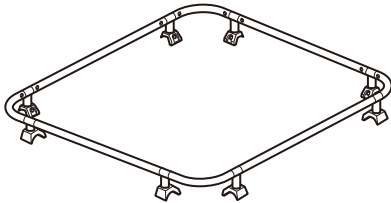


The following symbols are used throughout this manual for your attention.

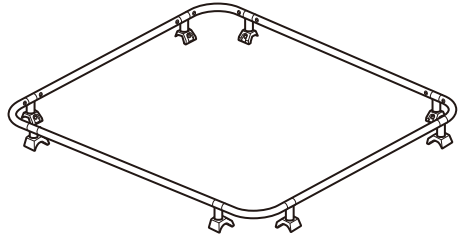
Warning Failure to follow this warning can result in serious accidents including death or serious injury.

Precautions Failure to follow precautions can result in injury, damage to the product, vehicle, or load.

IOP50



IOP51

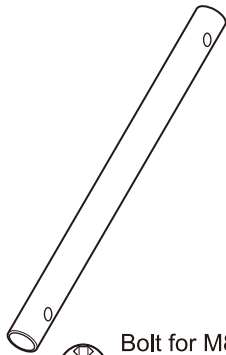


Warning This product is an optional part for "INA510 ROOF DECK 100" and "INA520 ROOF DECK 140"

Precautions

- Conduct assembly work on a sheet of cardboard laid out on a flat surface. When assembled, the Rail Kit may be distorted. If the Rail Kit is distorted, loosen the screw and tighten again.
- Always wear gloves when assembling the rack. The aluminum edges may injure your hand or fingers.

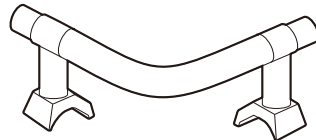
Product contents



Pipe

IOP50
L=537mm x2
L=637mm x2

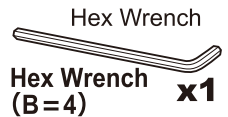
IOP51
L=937mm x4



Corner parts
x4



Bolt for M6
M6×10mm
x8



Hex Wrench
Hex Wrench (B=4)
x1



Bolt for M8
M8×25mm
x8

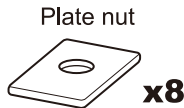


Plate nut
x8



Specification sticker
x1



Installation Instructions
x1

Necessary tools

The following tools are required to assemble the product.

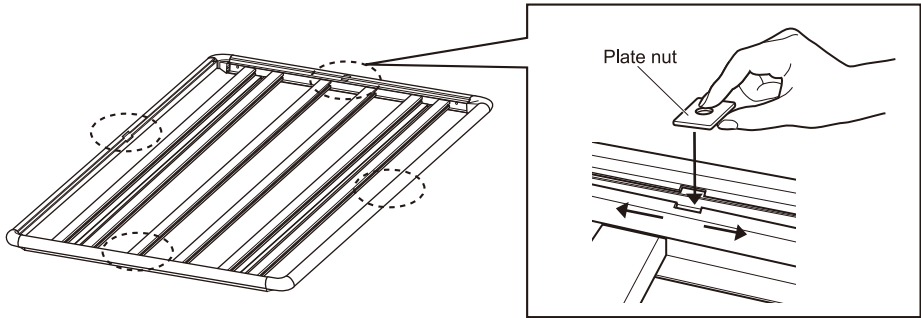


Hex Wrench (B=5) **x1**

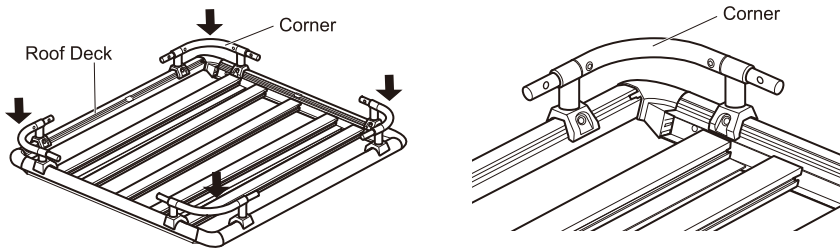
Hex wrench included with "INA510 ROOF DECK 100" and "INA520 ROOF DECK 140"

How to assemble

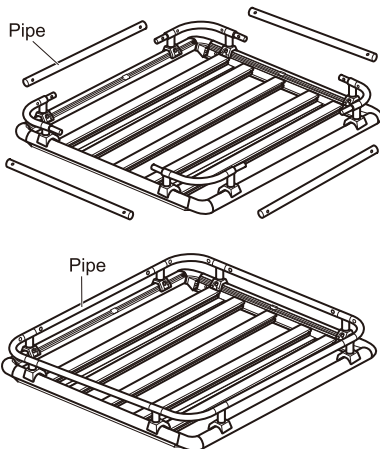
- 1** Insert the plate nut into ROOF DECK. (8 places)
* If ROOF DECK is attached to the vehicle, remove it from the vehicle.



- 2** ① Put the corner parts on ROOF DECK. (4 places)

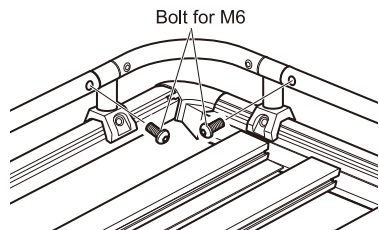


- ② Insert the pipe into the corner part.
Use the included wrench for connection. Tighten 8 places temporarily with M6 x 8 bolts. (8 places)

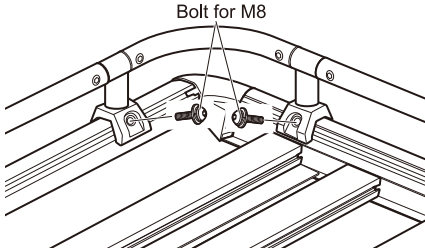


Precautions

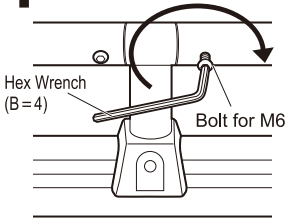
There are two types of pipes for IOP50, so be careful.



3 Use ROOF DECK and this product with the wrench included with ROOF DECK. Tighten 8 places temporarily with M8 x 25 bolts.

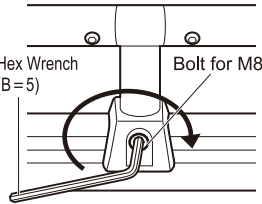


4 Tighten temporarily fixed M6 x 10(8 places) and M8 x 25(8 places)



Warning

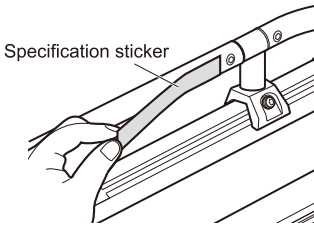
Securely tighten with the included hexagon wrench.



Warning

Securely tighten with the hexagon wrench included with ROOF DECK.

5 Affix the specification sticker in the relevant language on the stay.



Remove the entire roof rack when washing in a car wash.



Do not oil the bolts.



Use water to clean.



Do not use detergent or wax.



Store in a dry indoor place away from direct sunlight.



Please note the height



Obey all posted speed limits. Drive slower under strong winds or on rough roads.



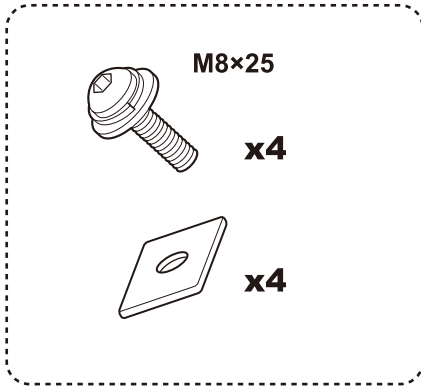
Do not hang on the rail kit.

 Warning

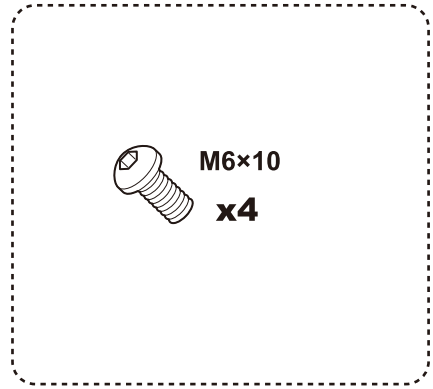
- Make sure that all bolts and nuts are securely tighten before driving.

Repair parts

There are genuine spare parts for this product as shown below.
Please specify part name when ordering repair parts.



ISP 1111



ISP 1112



Learn more about roof racks and cargo carriers we have.