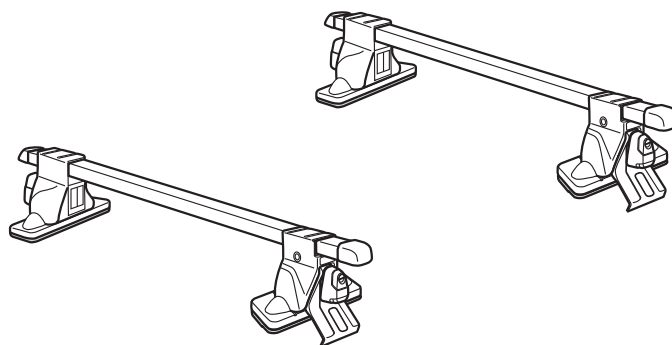




INSUT Installation Instructions

INSUT

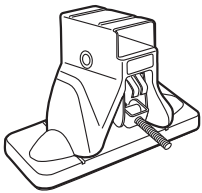


Square bar, Fit Hooks (Sold separately)

- Read the INNO common installation instructions (the accompanying sheet) as well.
- Keep this installation instructions in a safe place.
- Maximum load capacity: 132 lbs/60 kg. However, it varies depending on the car model.
- Stay may shift depending on driving conditions such as rough roads. Should the stay shift, loosen the mounting hook, return the hook to the original installation position as stated in the mounting hook installation instructions and remount.

Product contents

① **x4**



② **x4**



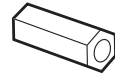
③ **x4**



④ **x2**



⑤ **x4**



⑥ **x1**



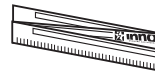
⑦ **x1**



⑧ **x1**



⑨ **x1**



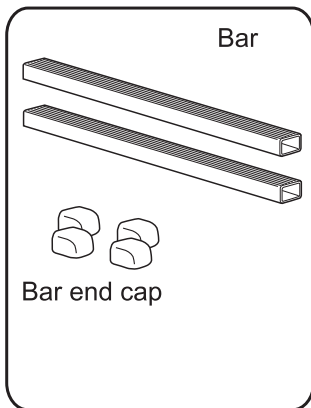
⑩ **x1**



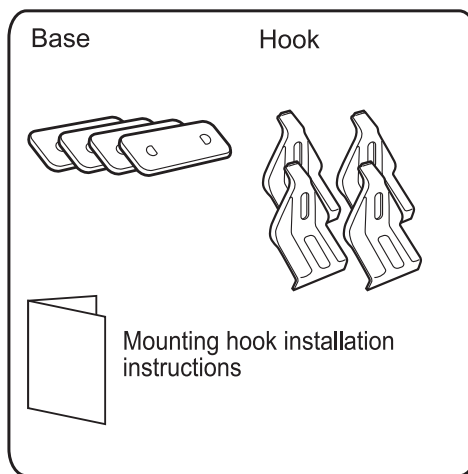
⑪ **x1**



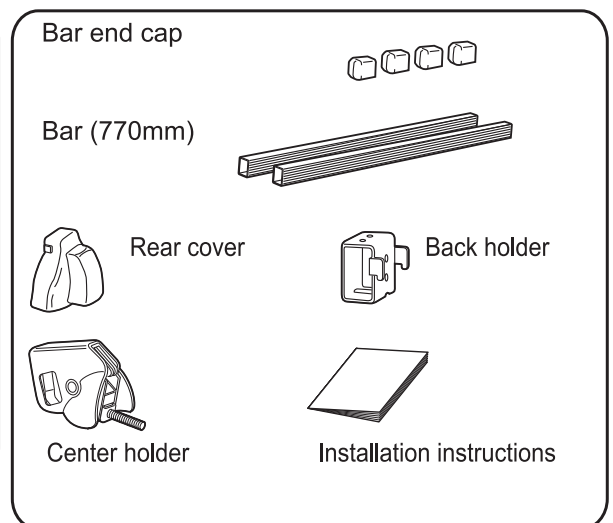
⑫



⑬

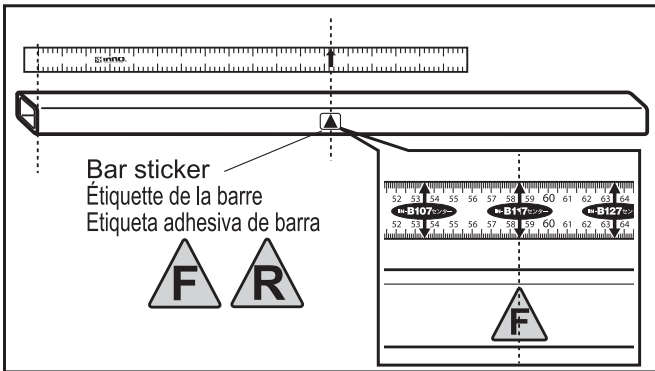


⑭



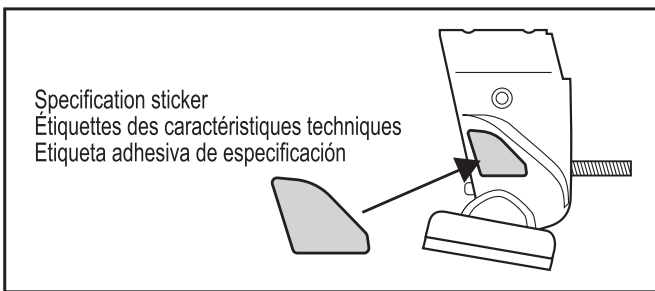
EN : Parts	
①	Stay main unit
②	Lock cover
③	Key plate
④	Key
⑤	High nut
⑥	Bar sticker
⑦	Specification sticker
⑧	Torque knob
⑨	Measuring Tape
⑩	INNO Common Installation Instructions
⑪	INSUT Installation instructions
⑫	Bar set (Sold separately)
⑬	Fit Hooks (Sold separately)
⑭	INJK (Sold separately)

Preparation for installation



1

Affix the bar sticker ( = for front,  = for rear) to the center of the bar using the included measuring tape.

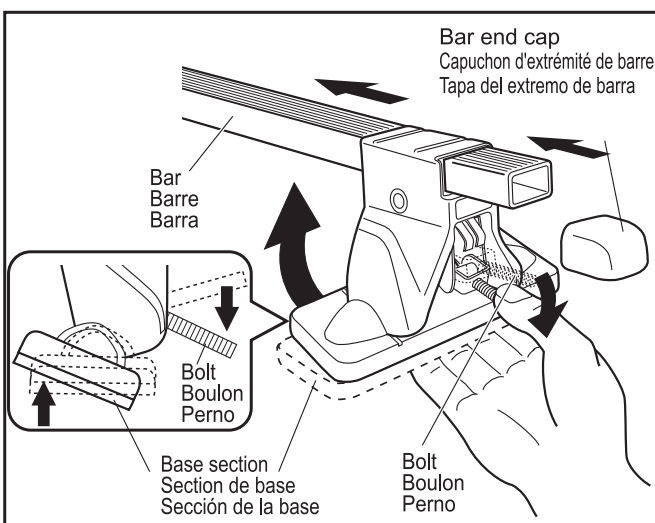


2

Affix the specification sticker in the relevant language on the stay. (on one of any stay)

Mount the stay base unit

Mounting hook installation instructions (included with mounting hook) are also required.

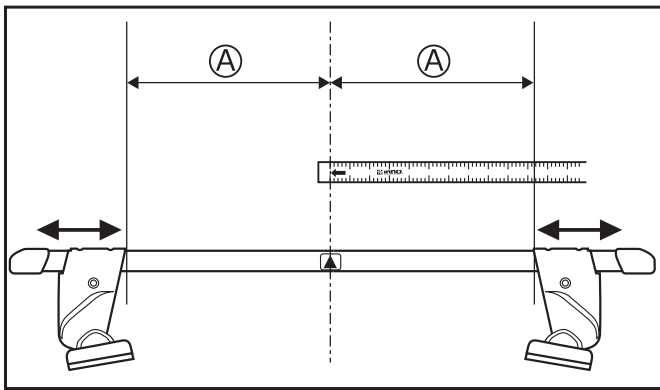


3

Tilt the base section and pass the bar through the stay while pushing down the bolt. Attach the end caps (included in the bar set) to both sides of the bar.

Note

Bar end caps are inside the plastic portion of the bar set. Forcibly pushing the bar end cap in the bar will reduce bar end cap safety.

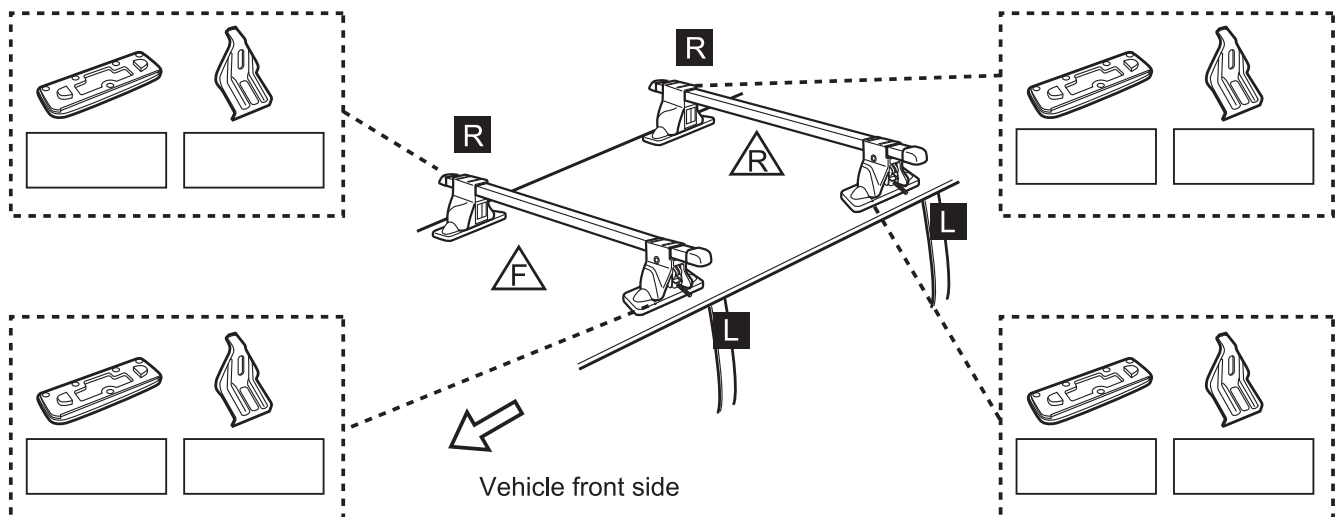


4

Align the measuring tape with the center mark, and position the stay in Stay Interior Dimension (A) described in the mounting hook installation instructions.

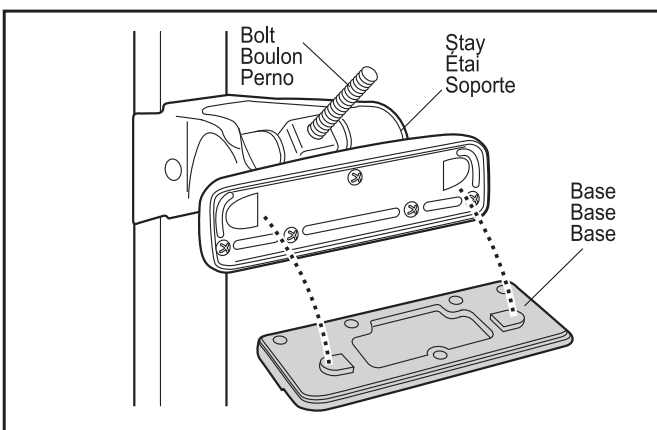
5

Write down the part numbers of the hooks and bases (found in the mounting hook installation instructions) in the spaces provided below.

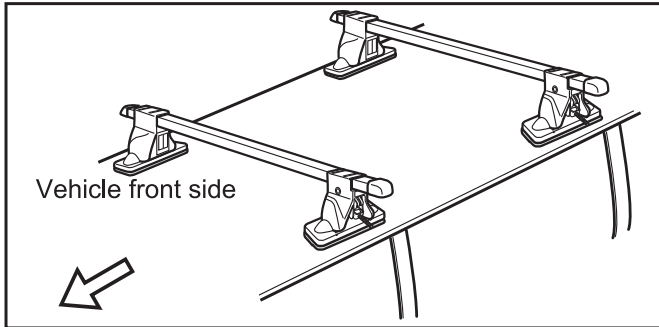


6

Mount the base to the stay in accordance with the combination written in Procedure 5.

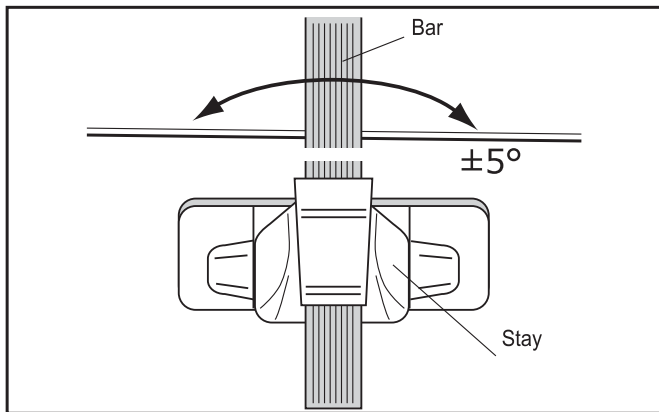


To use IN-JK mount IN-JK in accordance with the installation instructions included with IN-JK



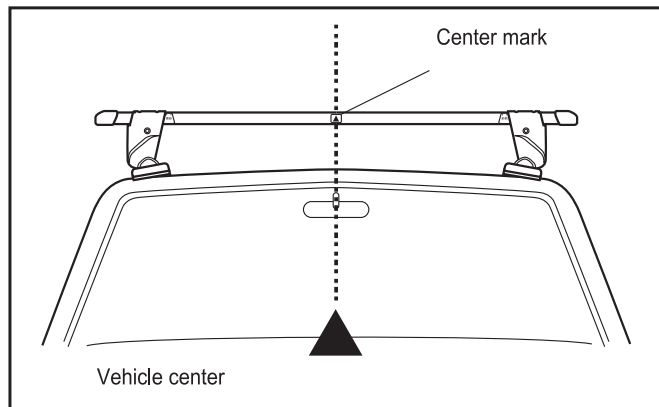
7

Place the carrier on the vehicle in accordance with the combination written in Procedure 5.



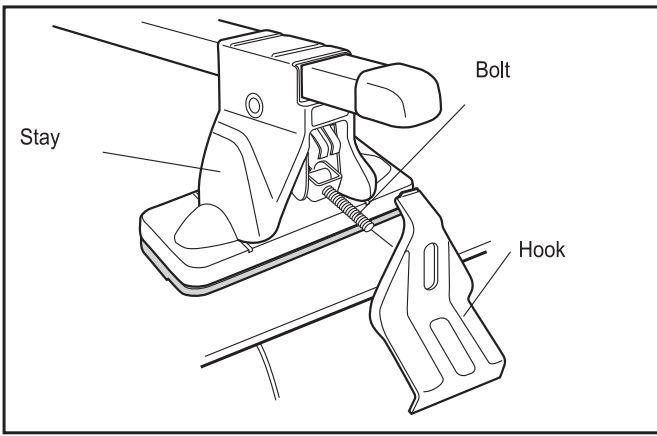
Note

As the stay swings against the bar by $\pm 5^\circ$, adjust it in accordance with the vehicle.



Note

Bar center mark aligns with the vehicle center.



8

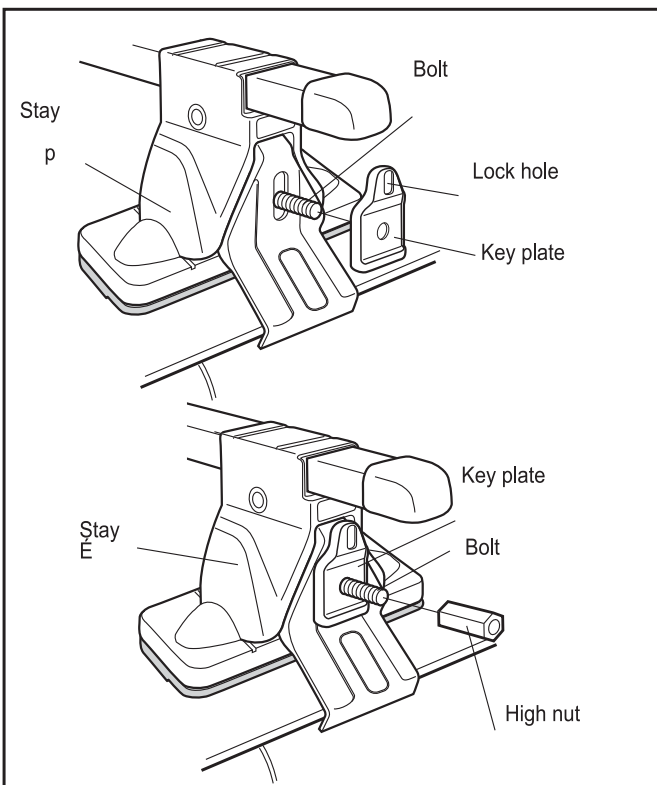
Guide the stay bolt through the hook, and engage the hook on the roof of the vehicle. Maintain the bolt in horizontal position.

⚠ Precautions

Never apply oil, grease, etc. to the bolt. Doing so may cause deformation of the vehicle or hook.

👉 Note

Follow mounting procedure in the hook installation instructions if provided.



9

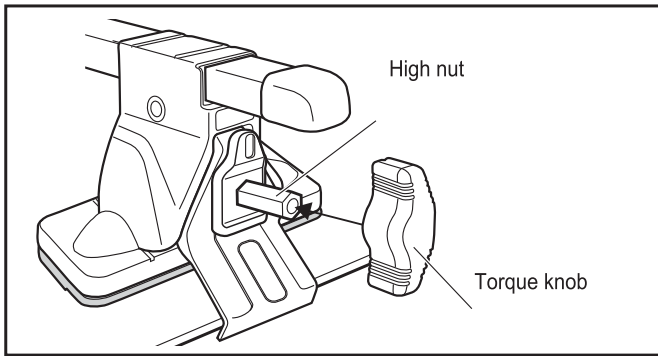
Pass the bolt through the circular hole of the key plate, and temporarily attach the key plate with the high nut while pressing down on the hook with the lock hole in upper position.

10

Temporarily attach the hook and key plate on the other side in the same way.

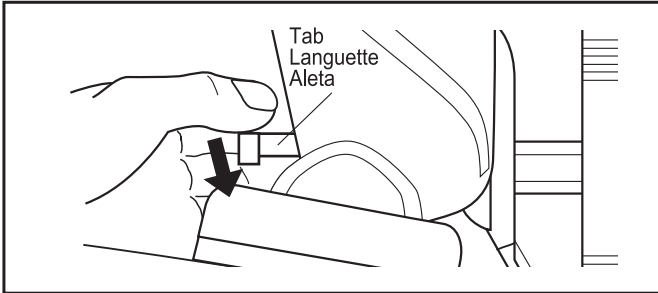
👉 Note

Do not overtighten one side, or the left and right sides cannot be evenly tightened.



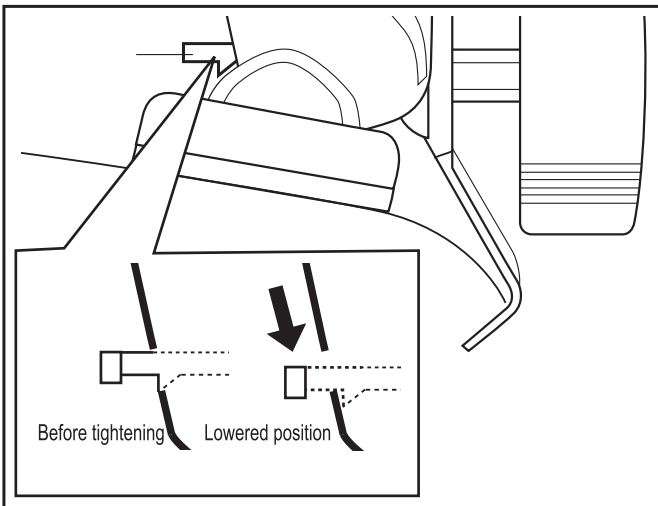
11

Insert the torque knob onto the high nut.



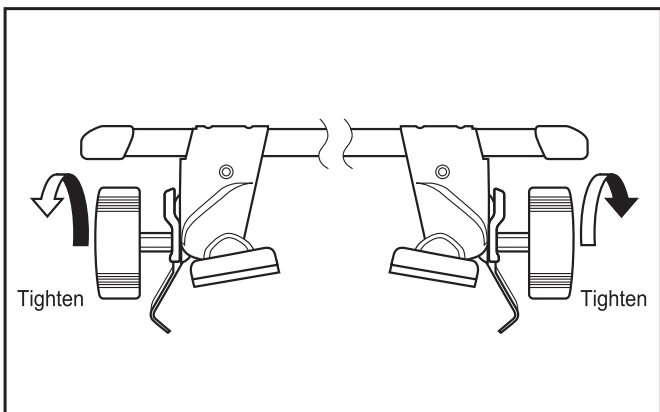
12

While lightly pushing the tab down, alternately and evenly turn the high nut with the torque knob on the left and right sides until the torque knob turns free.



 Note

Depending on the vehicle and/or hook shape, the tab may not be lowered.

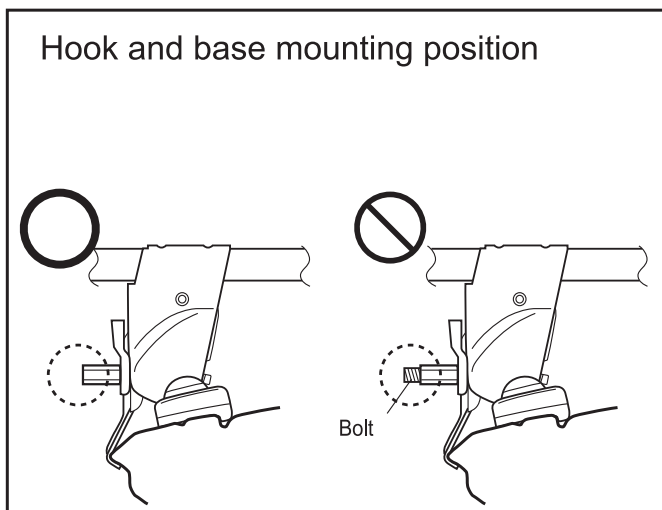


13

For confirmation, tighten the high nut again until the torque knob turns free a few times.

⚠ Precautions

When using a torque knob other than the included one, tighten it at 3.0Nm. Overtightening may damage the roof or the molding. Do not overtighten.

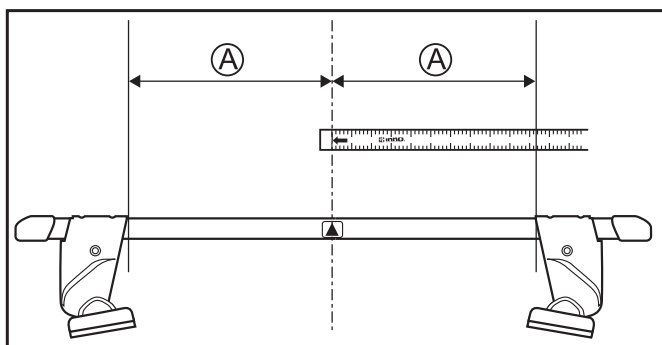


14

Confirm the mounting position by referring to the figure of installation instructions per vehicle type (mounting hook installation instructions).

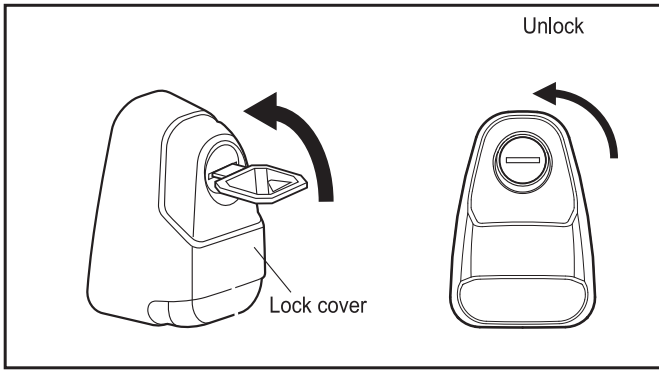
👉 Note

When the bolt end sticks out from the high nut, installation may not be correct, so reconfirm Stay Interior Dimension (A) and base position.



15

Align the measuring tape with the center mark to reconfirm the stay interior dimensions.

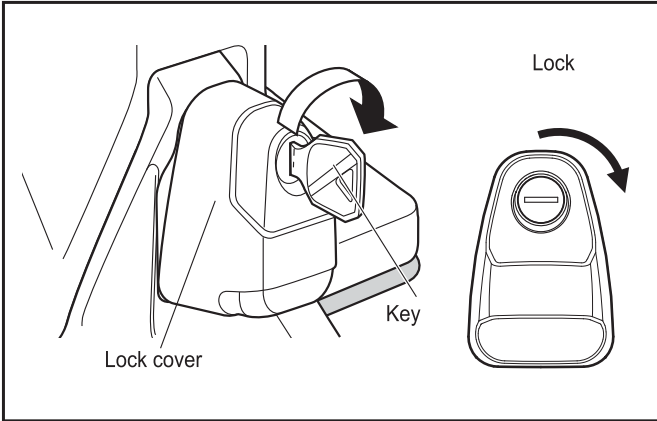


16

After tightening, unlock the lock cover.

Note

This is in the locked position at the time of shipment.



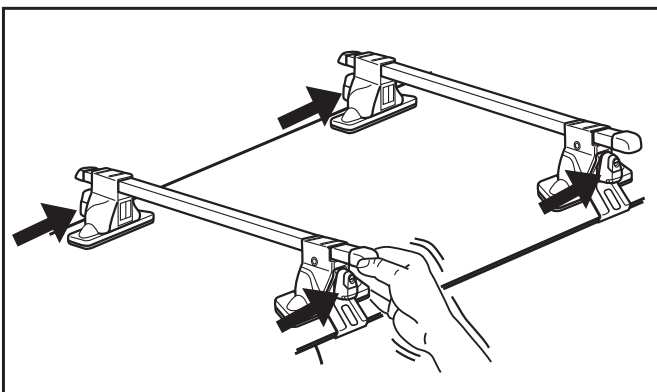
17

Mount the lock cover and lock it with the key.

Note

When the lock hole of the key plate is not aligned properly with the key position, adjust the position by turning the lock cover in the tightening direction.

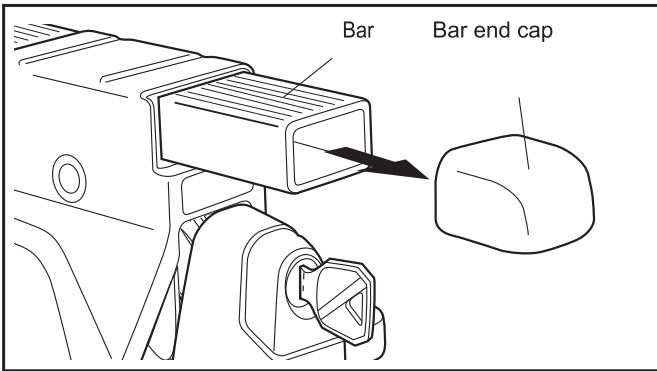
Confirmation after mounting



Warning

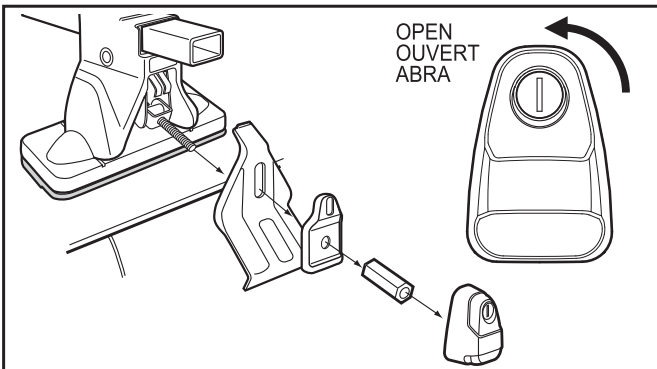
Shake the stay and the bar to the front, rear, right, left, up and down direction before driving the vehicle to confirm that the high nut and the hook in 4 places are securely tightened. Additionally tighten any loose nuts or hooks. A loose high nut or hook may cause the stay attachment or load to fall while driving the vehicle due to wind pressure or vibration involving the vehicle behind or people in an accident.

How to remove from the vehicle



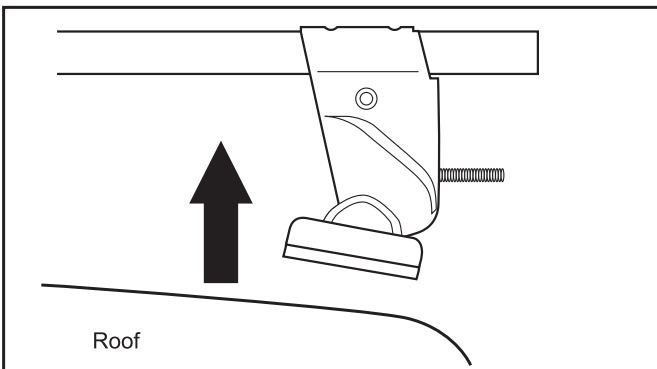
18

Remove the bar end cap.



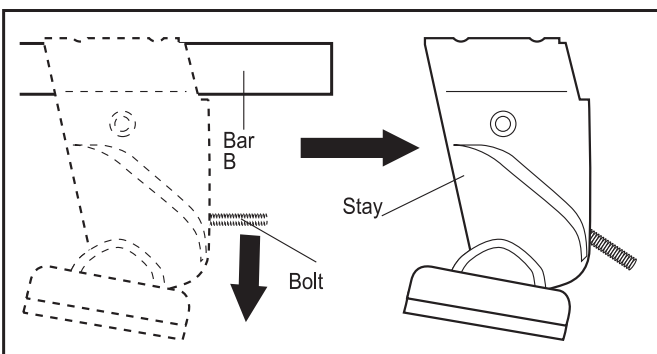
19

Release the lock and remove the lock cover, high nut, key plate, and hook.



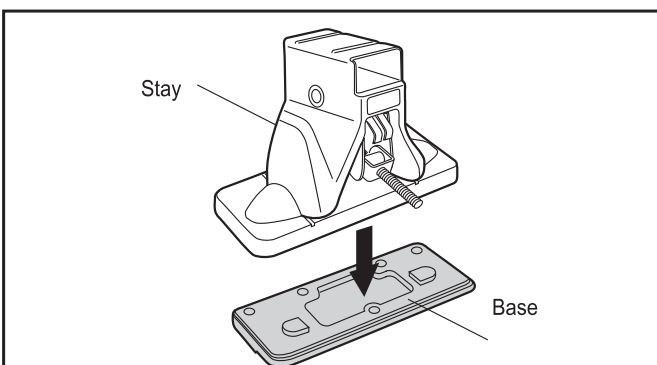
20

Remove the roof rack from the roof.



21

Push down the stay bolt, and remove the stay from the bar.

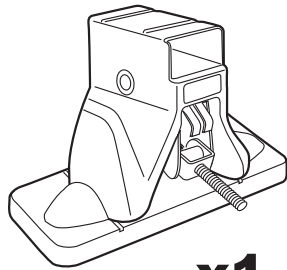


22

Remove the base from the stay.

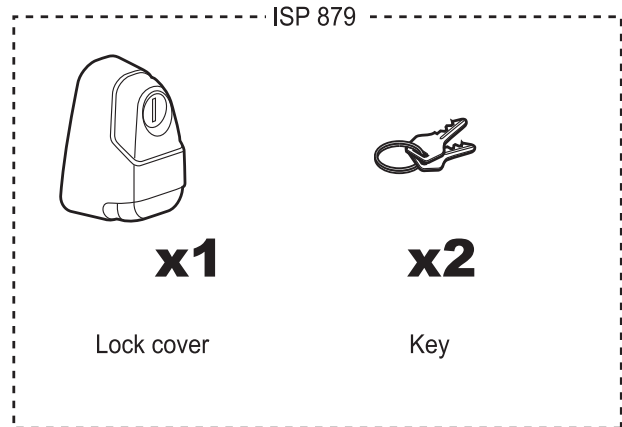
Repair parts

Please specify part name when ordering repair parts.



x1

ISP 880
Stay
É



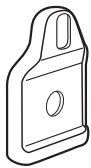
x1

Lock cover

x2

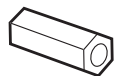
Key

(Key number is not changeable)



x1

ISP 543
Key plate



x1

ISP 878
High nut (35mm)



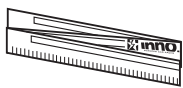
x1

Key



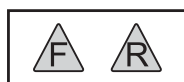
x1

ISP 896
SUT Torque knob



x1

Measuring Tape



x1

Bar sticker



x1

INSUT Installation Instructions